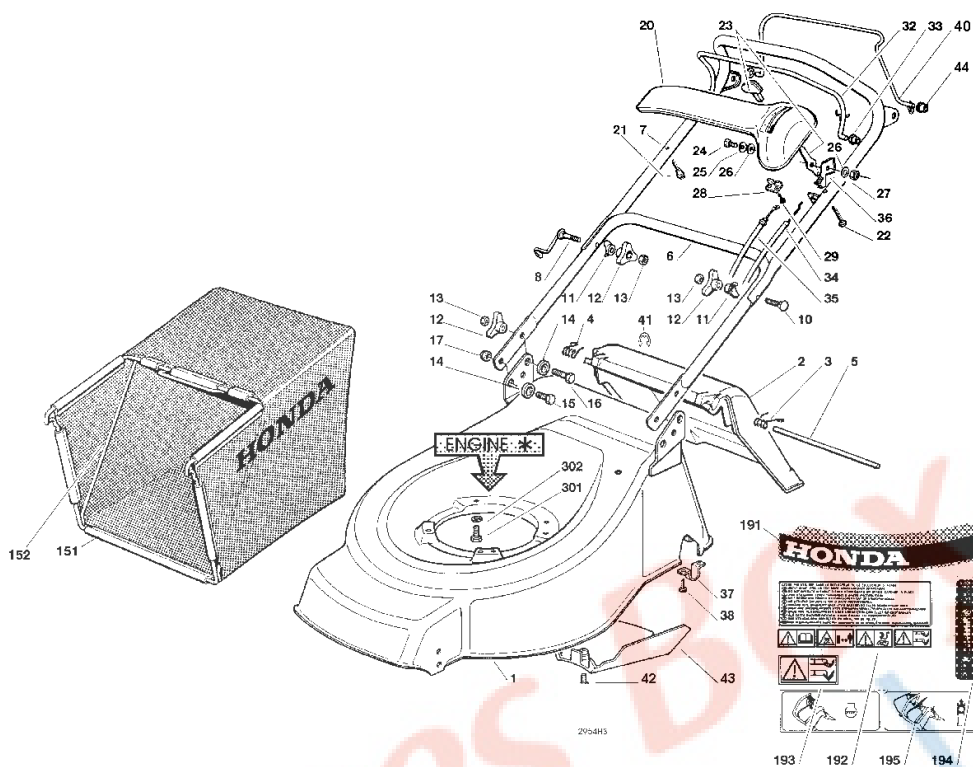


HRG465CSD(1999)
 (256833372,ext256833372,885112425,ext885112425,1106195620,ext1106195620,896763512,ext896763512)

B-1 CUTTER HOUSING / HANDLE / GRASS BAG



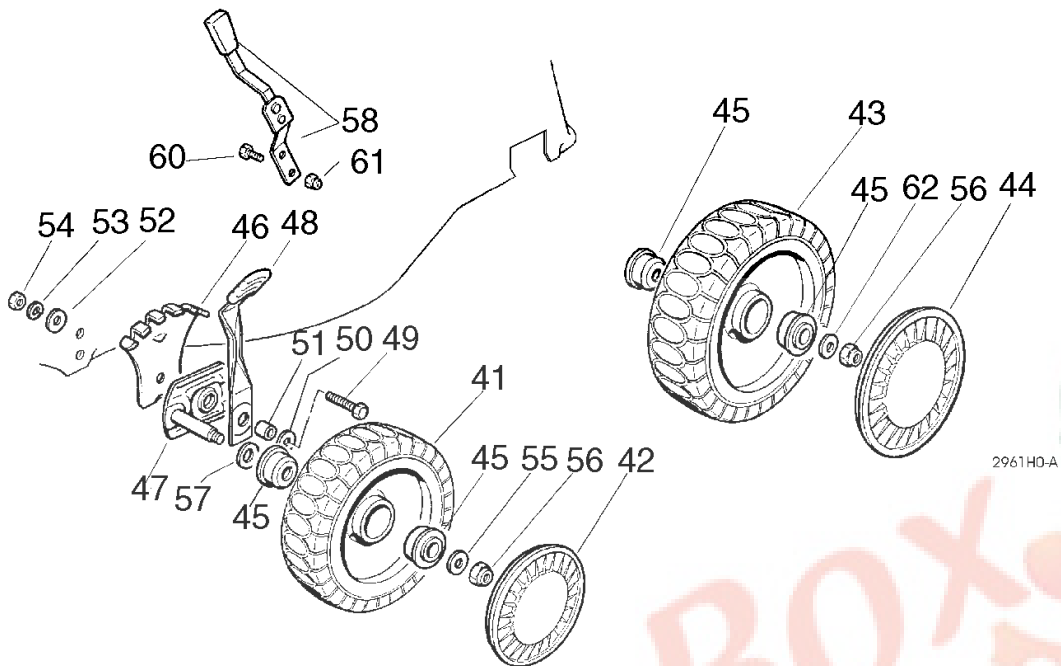
T.D.R	Description du TDR
aucun enregistrement trouvé	

n°de référence	référence	Description	Qte unitaire	Types
1	CG81001676H0	BLACK DECK	1	SDU
1	CG81001692H1	CAPOT GRIS	1	SDT, SDF, SDI
2	CG22600046H1	PARE-PIERRE	1	SDT, SDF, SDI, SDU
3	CG22450420H1	LEFT SPRING	1	SDT, SDF, SDI, SDU
4	CG22450410H1	RIGHT SPRING	1	SDT, SDF, SDI, SDU
5	CG22517906H1	AXE	1	SDT, SDF, SDI, SDU
6	CG81006990H0	LOWER HANDLE	1	SDT, SDF, SDI, SDU
7	CG81007024H0	UPPER HANDLE	1	SDT, SDF, SDI, SDU
8	CG81003801H0	RESSORT	1	SDT, SDF, SDI, SDU
10	CG12819201H0	VIS	1	SDT, SDF, SDI, SDU
11	CG22680006H1	RONDELLE	2	SDT, SDF, SDI, SDU
12	CG22399900H0	POIGNEE	4	SDT, SDF, SDI, SDU
13	CG12293200H0	ECROU	4	SDT, SDF, SDI, SDU
14	CG22041955H0	BAGUE	4	SDT, SDF, SDI, SDU
15	CG12792610H0	VIS	2	SDT, SDF, SDI, SDU
16	CG12793700H0	VIS	2	SDT, SDF, SDI, SDU
17	CG12155000H0	VIS	2	SDT, SDF, SDI, SDU
20	CG22120157H0	DASH BOARD	1	SDT, SDF, SDI, SDU
21	CG22943006H0	VIS	1	SDT, SDF, SDI, SDU
22	CG12728460H0	VIS	1	SDT, SDF, SDI,

23	CG81007280H2	LEVER + KNOB ASSY.	1	SDU SDT, SDF, SDI, SDU
24	CG12791500H0	VIS	1	SDT, SDF, SDI, SDU
25	CG12530060H0	SPRING WASHER	1	SDT, SDF, SDI, SDU
26	CG12523040H0	RONDELLE	2	SDT, SDF, SDI, SDU
27	CG12154510H0	ECROU	1	SDT, SDF, SDI, SDU
28	CG22981467H0	PLAQUE	1	SDT, SDF, SDI, SDU
29	CG12735105H0	VIS	2	SDT, SDF, SDI, SDU
32	CG81003291H2	LEVIER DE FREIN	1	SDT, SDF, SDI, SDU
33	CG22041966H0	BAGUE	2	SDT, SDF, SDI, SDU
34	CG81007167H0	CÂBLE GAZ	1	SDT, SDF, SDI, SDU
35	CG81000641H0	THREAD MOTOR BRAKE	1	SDT, SDF, SDI, SDU
36	CG22545171H0	PLAQUE	1	SDT, SDF, SDI, SDU
37	CG22545152H0	PLAQUE	2	SDT, SDF, SDI, SDU
38	CG12731350H0	VIS	4	SDT, SDF, SDI, SDU
40	CG81003288H1	DRIVING LEVER	1	SDT, SDF, SDI, SDU
41	CG12000930H0	FIXATION	1	SDT, SDF, SDI, SDU
42	CG12727791H0	VIS	1	SDT, SDF, SDI, SDU
43	CG22060192H0	PONT	1	SDT, SDF, SDI, SDU
44	CG22041965H0	BAGUE	1	SDT, SDF, SDI, SDU
151	CG81006418H0	BAG FRAME	1	SDT, SDF, SDI, SDU
152	CG81002175H0	GRASS BAG	1	SDT, SDF, SDI, SDU
153	CG81008614H1	SAC A HERBE	1	SDT, SDF, SDI, SDU
154	CG81008609H0	DASH-BOARD OUTFIT	1	SDT, SDF, SDI, SDU
191	CG14357446H1	EMBLEM MARK ECO HRG46C	1	SDU
191	CG14357447H1	EMBLEM MARK FLORILEGE HRG46C	1	SDF
191	CG14357448H1	EMBLEM MARK TURFY HRG46C	1	SDT
191	CG14357449H0	EMBLEM MARK HRG465C	1	SDI
192	CG14356933H1	WARNING LABEL	1	SDT, SDF, SDI, SDU
193	CG14356699H0	ETIQUETTE	1	SDT, SDF, SDI, SDU
194	CG14356743H0	DASH-BOARD LABEL	1	SDT, SDF, SDI, SDU
195	CG14356690H1	DASH-BOARD LABEL	1	SDT, SDF, SDI, SDU
301	CG12735802H0	VIS 5/16X1	4	SDT, SDF, SDI, SDU
302	CG12583500H0	RONDELLE GROWER	4	SDT, SDF, SDI, SDU

HRG465CSD(1999)
 (256833372,ext256833372,885112425,ext885112425,1106195620,ext1106195620,896763512,ext896763512)

B-2 WHEELS AND HEIGHT ADJUSTING

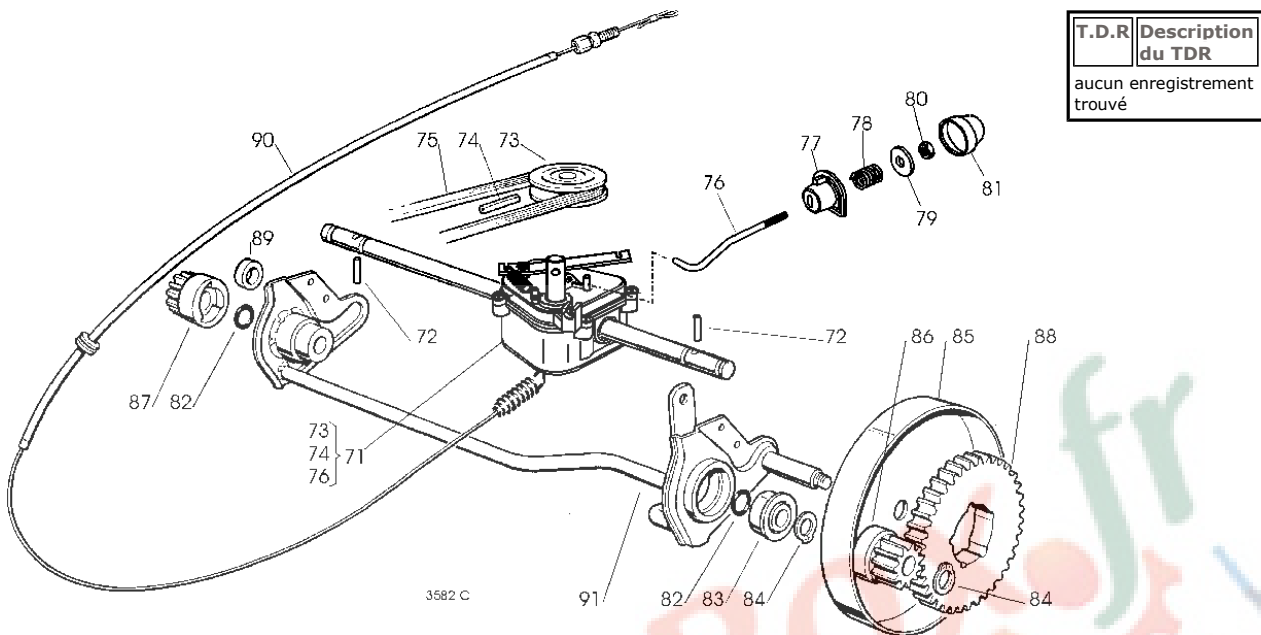


n°de référence	référence	Description	Qte unitaire	Types
41	CG81007317H0	WHEEL Ø 170	2	SDT, SDF, SDI, SDU
42	CG22110282H0	HUB CAP	2	SDT, SDF, SDI, SDU
43	CG81007318H1	WHEEL Ø 210	2	SDT, SDF, SDI, SDU
44	CG22110281H0	HUB CAP	2	SDT, SDF, SDI, SDU
45	CG22122200H0	ROULEMENT	8	SDT, SDF, SDI, SDU
46	CG22735547H0	ADJUSTMENT SECTOR	2	SDT, SDF, SDI, SDU
47	CG81005082H0	WHEEL SUPPORT	2	SDT, SDF, SDI, SDU
48	CG81003285H0	ADJUSTMENT LEVER	2	SDT, SDF, SDI, SDU
49	CG12793701H0	VIS	2	SDT, SDF, SDI, SDU
50	CG12521350H0	RONDELLE	2	SDT, SDF, SDI, SDU
51	CG22171001H0	ENTRETOISE	2	SDT, SDF, SDI, SDU
52	CG12523070H0	RONDELLE	2	SDT, SDF, SDI, SDU
53	CG12583500H0	RONDELLE GROWER	2	SDT, SDF, SDI, SDU
54	CG12293200H0	ECROU	2	SDT, SDF, SDI, SDU
55	CG12521350H0	RONDELLE	2	SDT, SDF, SDI, SDU
56	CG12155000H0	VIS	4	SDT, SDF, SDI, SDU
57	CG12530150H0	RONDELLE ELASTIQUE	2	SDT, SDF, SDI, SDU
58	CG81003279H2	ADJUSTMENT LEVER	1	SDT, SDF, SDI, SDU
60	CG12789000H0	VIS	2	SDT, SDF, SDI, SDU
61	CG12154330H0	ECROU	2	SDT, SDF, SDI, SDU
62	CG12369500H0	RONDELLE ELASTIQUE	2	SDT, SDF, SDI, SDU



HRG465CSD(1999)
(256833372,ext256833372,885112425,ext885112425,1106195620,ext1106195620,896763512,ext896763512)

B-3 REAR DRIVE

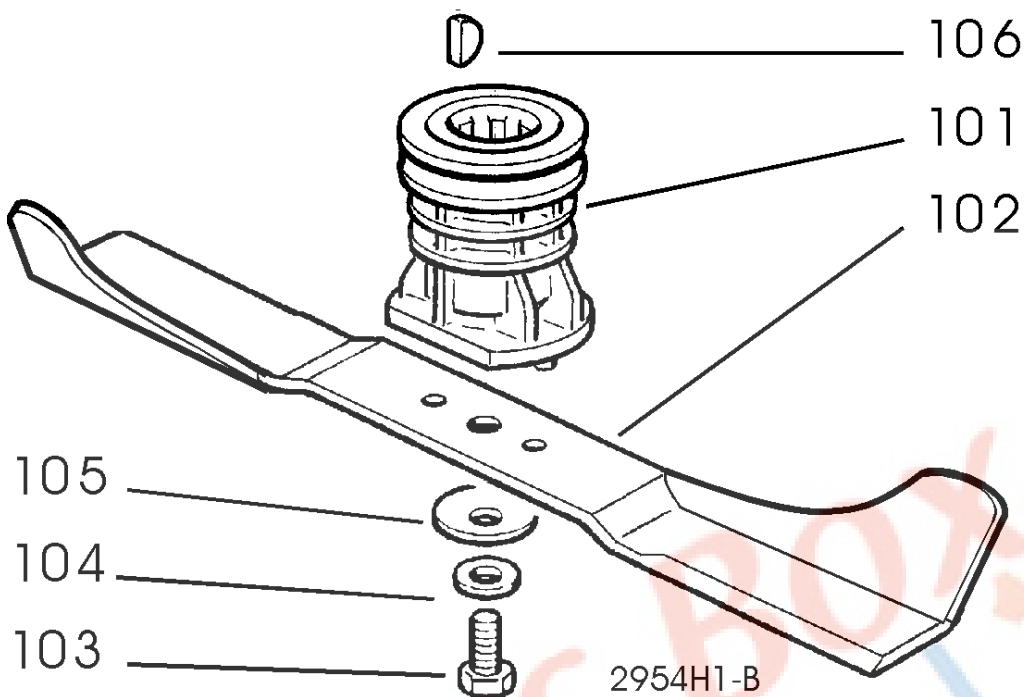


n°de référence	référence	Description	Ote unitaire	Types
71	CG81003059H0	GEAR BOX ASSY.	1	SDT, SDF, SDI, SDU
72	CG22753000H0	AXE	2	SDT, SDF, SDI, SDU
73	CG22601904H0	POULIE	1	SDT, SDF, SDI, SDU
74	CG12645705H0	AXE	1	SDT, SDF, SDI, SDU
75	CG35063800H0	COURROIE	1	SDT, SDF, SDI, SDU
76	CG22033280H0	ADJUSTMENT ROD	1	SDT, SDF, SDI, SDU
77	CG22041957H0	BAGUE	1	SDT, SDF, SDI, SDU
78	CG22450063H0	RESSORT	1	SDT, SDF, SDI, SDU
79	CG22680009H0	RONDELLE	2	SDT, SDF, SDI, SDU
80	CG12154510H0	ECROU	2	SDT, SDF, SDI, SDU
81	CG22110230H0	COUVRE MOYEU	2	SDT, SDF, SDI, SDU
82	CG12019900H0	JOINT TORIQUE	2	SDT, SDF, SDI, SDU
83	CG22122200H0	ROULEMENT	2	SDT, SDF, SDI, SDU
84	CG12608600H0	CIRCLIP	4	SDT, SDF, SDI, SDU
85	CG81006846H0	WHEEL GUARD	2	SDT, SDF, SDI, SDU
86	CG22570120H0	LEFT PINION	1	SDT, SDF, SDI, SDU
87	CG22570110H0	RIGHT PINION	1	SDT, SDF, SDI, SDU
88	CG22120105H1	COURONNE DENTEE	2	SDT, SDF, SDI, SDU
89	CG22170800H0	ENTRETOISE	1	SDT, SDF, SDI, SDU
90	CG81001147H0	REAR DRIVE ASSY.	1	SDT, SDF, SDI, SDU
91	CG81001252H1	REAR WHEELS AXLE	1	SDT, SDF, SDI, SDU

HRG465CSD(1999)
 (256833372,ext256833372,885112425,ext885112425,1106195620,ext1106195620,896763512,ext896763512)

B-4 BLADE ASSY

T.D.R	Description du TDR
	aucun enregistrement trouvé



n°de référence	référence	Description	Qte unitaire	Types
101	CG22465607H0	MOYEU	1	SDT, SDF, SDI, SDU
102	CG81004397H0	LAME	1	SDT, SDF, SDI, SDU
103	CG12735698H0	VIS	1	SDT, SDF, SDI, SDU
104	90401880000	RONDELLE, 10X30X3.5T	1	SDT, SDF, SDI, SDU
105	90510751701	RONDELLE DE LAME	1	SDT, SDF, SDI, SDU
106	CG121394100H0	FEATHER	1	SDT, SDF, SDI, SDU