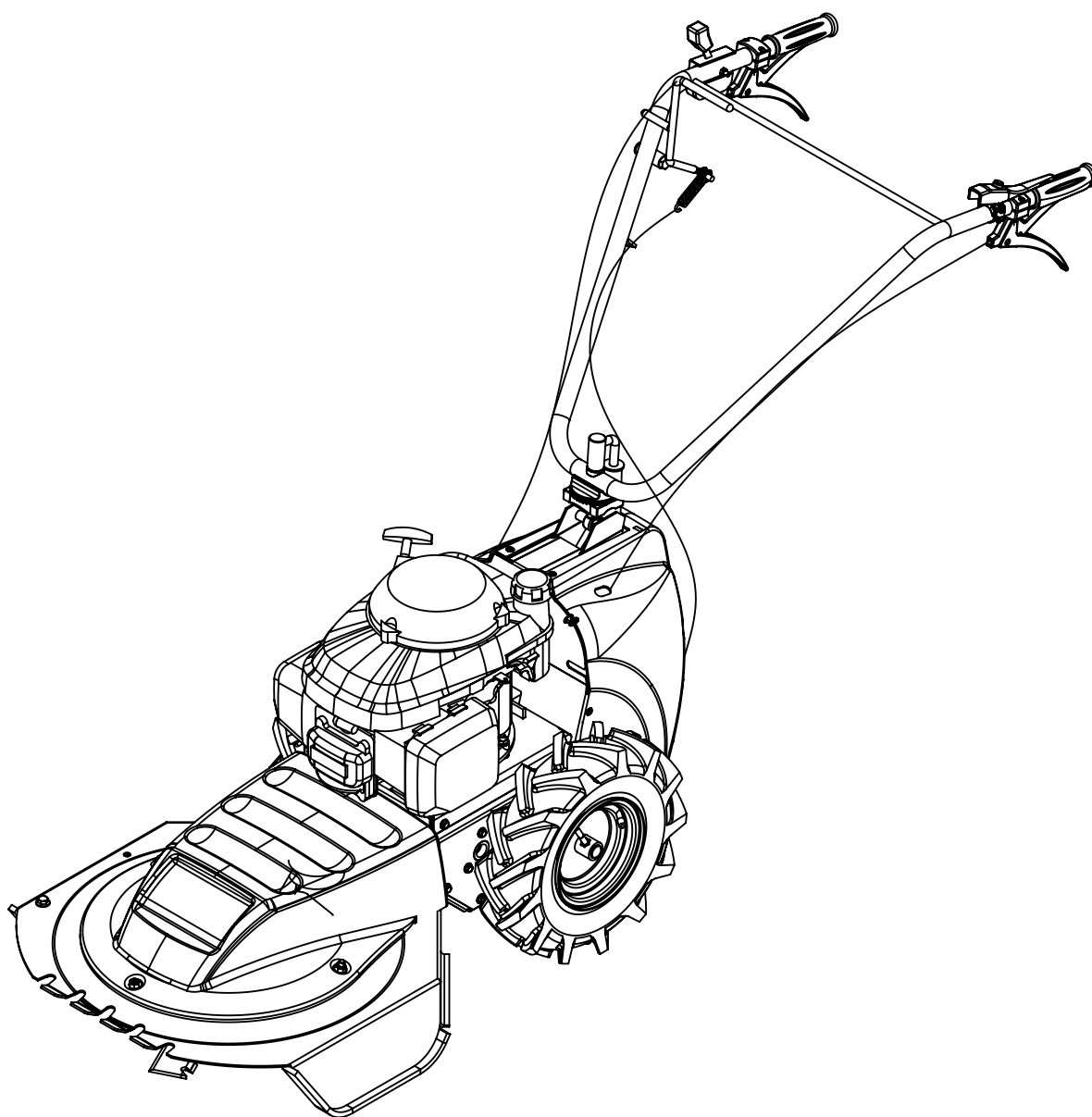
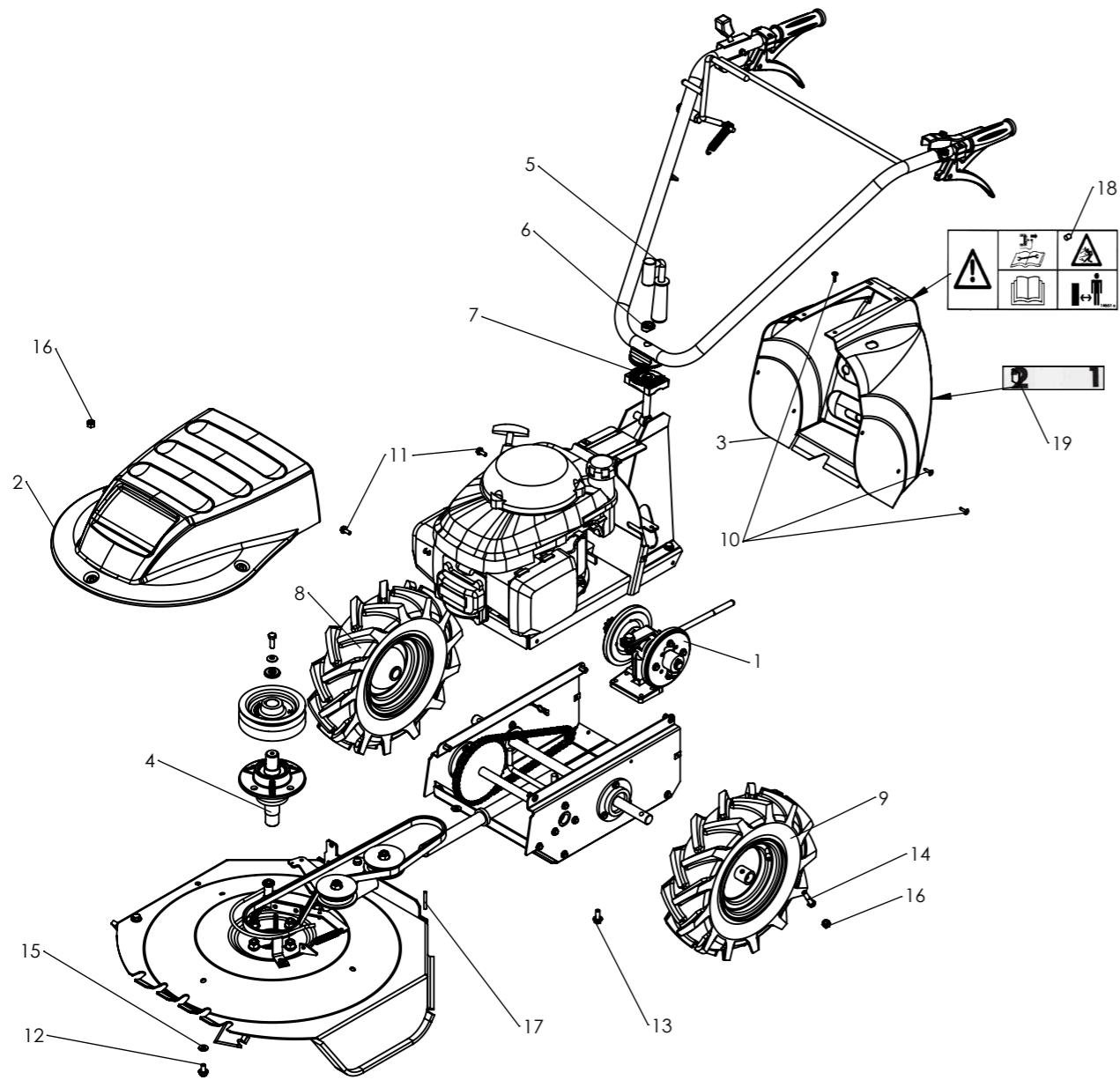


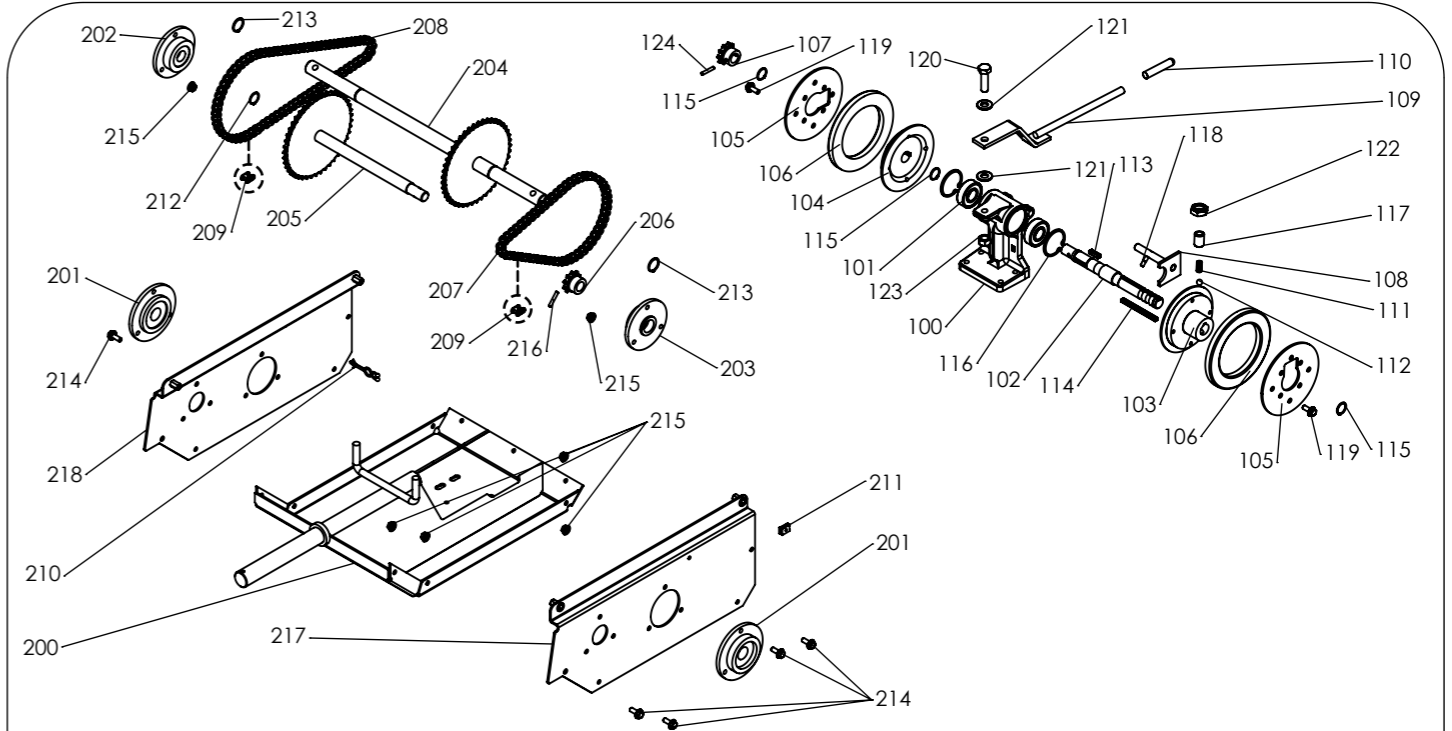
Pièces de rechange Spare parts list **L JUNIOR**



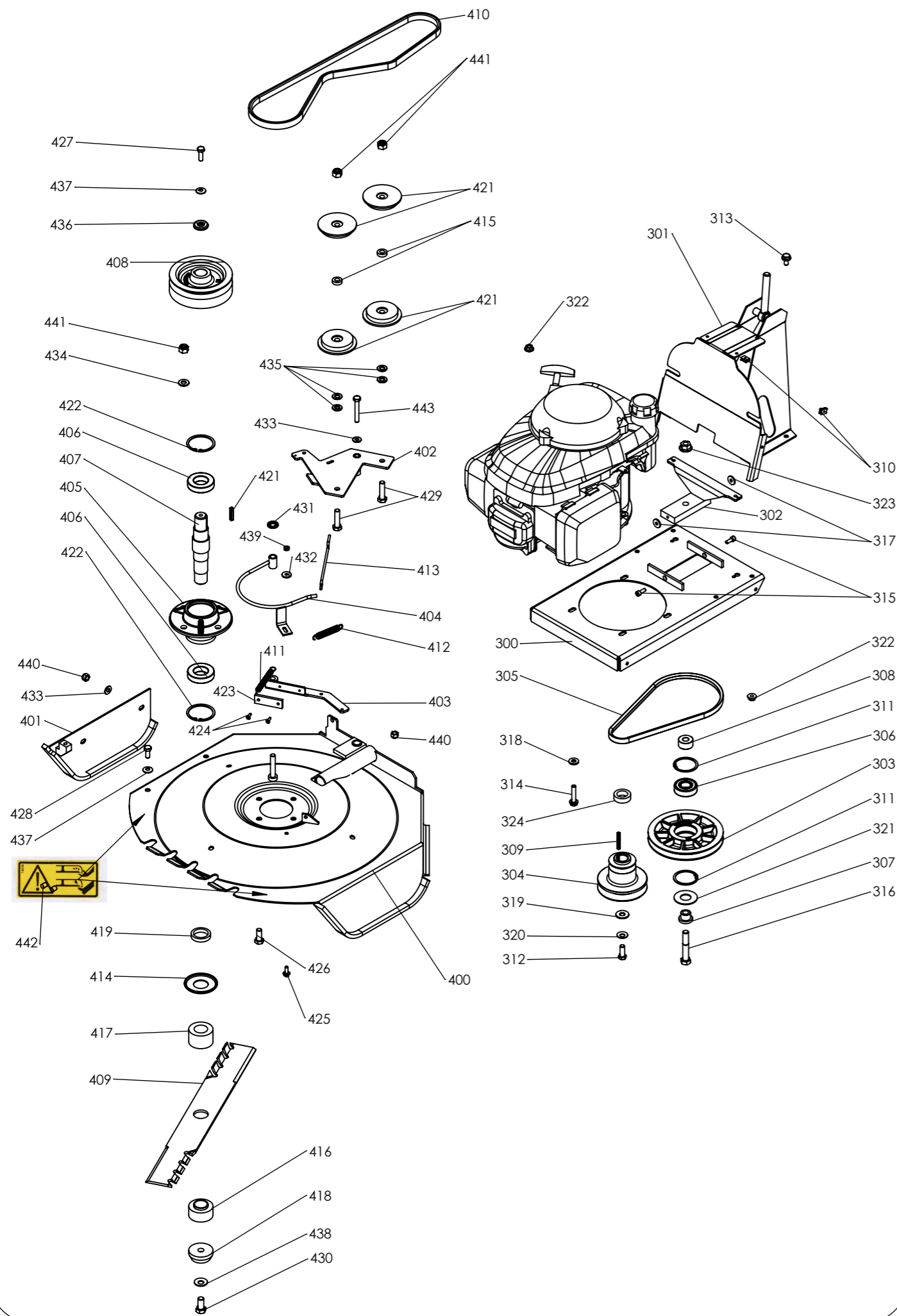
*DEBROUSSAILLEUSE
GRASS CUTTER*



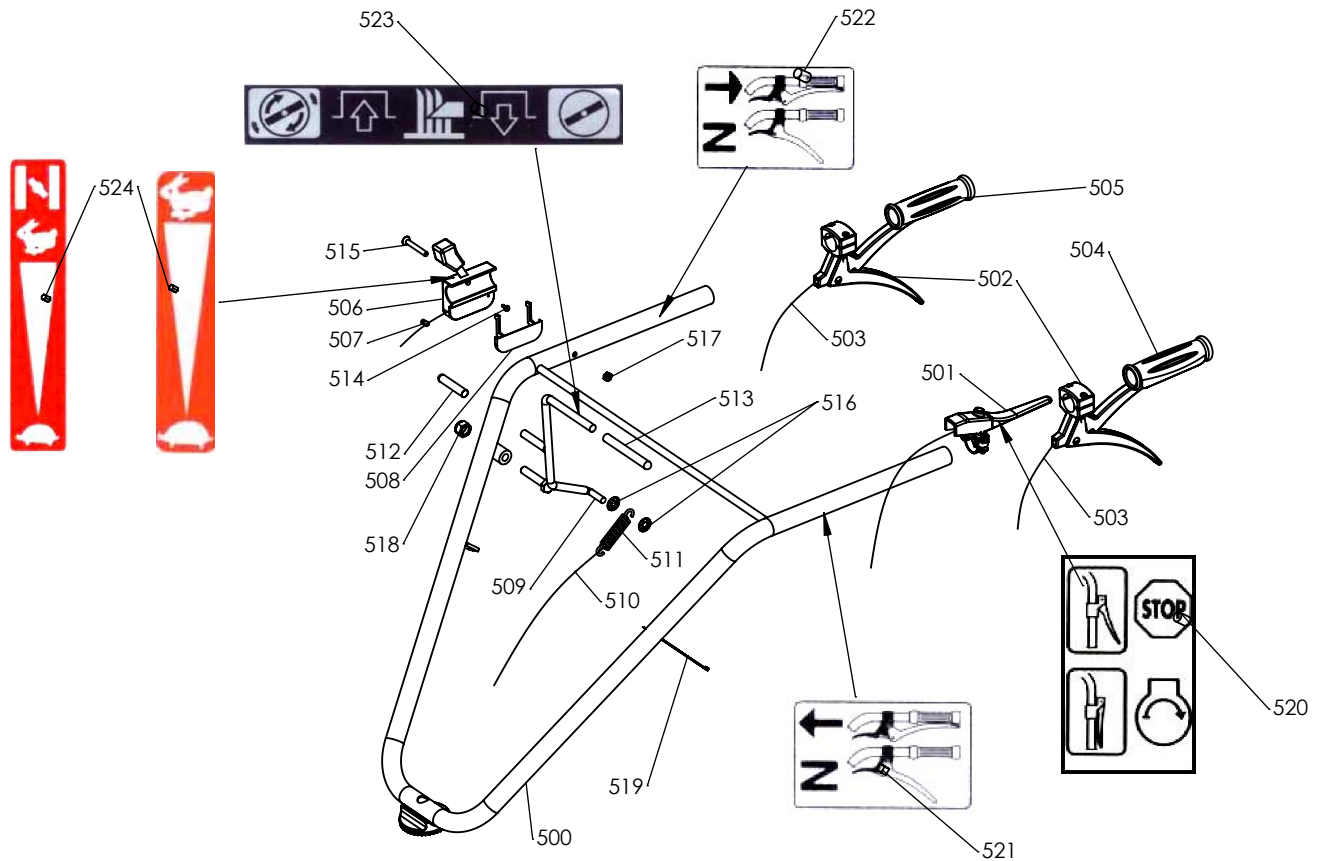
Rep N°	Ref.	Designation	Description	Qte
1	5001010001	Mécanisme L Junior	Mechanism L Junior	1
2	0340040010	Capot courroie L junior (rouge)	Belt cover (red)	1
2	0340040002	Capot courroie L Junior (bleu)	Belt cover (bleu)	1
2	0340040008	Capot courroie L Junior (orange)	Belt cover (orange)	1
2	0340040004	Capot courroie L Junior (jaune)	Belt cover (yellow)	1
2	0340040006	Capot courroie L Junior (noir)	Belt cover (black)	1
3	0340040009	Capot arrière L Junior (rouge)	Rear cover (red)	1
3	0340040001	Capot arrière L Junior (bleu)	Rear cover (blue)	1
3	0340040007	Capot arrière L Junior (orange)	Rear cover (orange)	1
3	0340040003	Capot arrière L Junior (jaune)	Rear cover (yellow)	1
3	0340040005	Capot arrière L Junior (noir)	Rear cover (black)	1
4	5001010006	Palier coupelle L Junior	L Junior blade guard bearing	1
5	0300801401	Poignée de serrage	Handlebar tightening lever	1
6	0302020037	Entretoise poignée de serrage	Spacer	1
7	0303000007	Pièce intermédiaire	Filler piece	1
8	0309000001	Roue 3.50x6 droite pneu 4pr	Right wheel	1
9	0309000002	Roue 3.50x6 gauche pneu 4pr	Left wheel	1
10	0300080405	Vis Tôle 4.2x19	Screw 4.2x19	6
11	0300010609	Vis HM 6x16 z emb cr	Screw HM 6x16 z notched shoulder	4
12	0300010815	Vis HM 8x16 z emb cr	Screw H M8x16 z notched shoulder	3
13	0300010816	Vis HM 8x20 z emb cr	Screw H M8x20 z notched shoulder	4
14	0300010836	Vis H M 8x40x22 N CL10.9 DIN	Screw H M 8x40x22 N CL10.9 DIN	2
15	03000400802	Rondelle M8x18x1.5 Z	Washer M8x18x1.5 Z	4
16	0300210802	Ecrou frein M 8 Z	Blocking nut M 8 Z	5
17	0301020005	Goupille Ø5x40 HBK	Pin Ø5x40 HBK	1
18	0503000016	Etiquette "précautions d'emploi"	"Safety instructions" label	1
19	0503000010	Etiquette "2-1"	Label "2-1"	1



Rep N°	Ref.	Designation	Description	Qte
100	0302030027	Palier mécanisme LJ	Mechanism bearings	1
101	0306010013	Roulement 6203 2 RS	Ball Bearing 6203 2 RS	2
102	0302010018	Axe de vitesse	Gear shaft	1
103	0303000005	Moyeu gauche mécanisme	LHS mechanism hub	1
104	0303000004	Moyeu droit mécanisme	RHS mechanism hub	1
105	5002010102	Flasque mécanisme	Bearing plate	2
106	0341000044	Rondelle de friction	Rubber washer	2
107	0306050014	Pignon 10 dts Pas 9.52	Pinion	1
108	5002010103	Fouchette de vitesse	Fork	1
109	5002010107	Levier de vitesse	Gear lever	1
110	0341000024	Embout type A -D9 lg 50 noir	End piece length: 50	1
111	0305020004	Ressort CP Ø7.8 Lg 15.5	Locking spring	1
112	0306010001	Bille acier Ø7.94	Steel ball Ø7.94	1
113	0301040002	Clavette 5x5x18	Key 5x5x18	1
114	0301040005	Clavette 5x5x70	Key 5x5x70	1
115	0301070003	Circlips E 17	Circlips E 17	3
116	0301070005	Circlips Int Ø40	Circlips Int Ø40	2
117	0302010043	Vis creuse M14	Hollow screw M14	1
118	0302010044	Vis stub fourchette vitesse M5	Gear fork stub screw M5	1
119	0300010609	Vis HM 6x16 z emb cr	Screw HM 6x16 z notched shoulder	8
120	0300011015	Vis HM 10x30z FST	Screw HM 10x30z FST	1
121	0300401002	Rondelle M 10x22x2 Z	Washer M 10x22x2 Z	2
122	0300251401	Ecrou Bas Hm 14 z	Nut Hm 14 z	1
123	0300201002	Ecrou HM 10z	Nut HM 10z	1
124	0301020002	Goupille 4x24 HBK	Cotter-pin 4x24 HBK	1
200	5002010501	Carter inférieur caisson (gris 8120)	Lower case cover (grey 8120)	1
200	5002013001	Carter inférieur caisson gris (7015)	Lower case cover grey (7015)	1
201	0340030013	Carter arbre de roue Ø20	Wheel-axle bearing	2
202	0340040012	Palier arbre interm. Ø17	Countershaft bearing Ø17	1
203	0340040013	Palier arbre interm. Ø15	Countershaft bearing Ø15	1
204	0302010010	Arbre de roue	Wheel shaft	1
205	0302010005	Arbre intermédiaire	Countershaft	1
206	0306050014	Pignon 10 dts Pas 9.52	Pinion	1
207	0306020011	Chaîne 9.52 (58 maillons)	Chain 9.52 (58 links)	1
208	0306020013	Chaîne 9.52 (78 maillons)	Chain 9.52 (78 links)	1
209	0306020001	Attache rapide (9.525)	Quick fastener (9.525)	2
210	0341000033	Lien torsadé	Twist tie	1
211	0301050001	Clips 4.2	Clips 4.2	2
212	0301070003	Circlips E 17	Circlips E 17	1
213	0301070007	Circlips E 17	Circlips E 17	2
214	0300010609	Vis HM 6x16 z emb cr	Screw HM 6x16 z notched shoulder	18
215	0300260601	Ecrou HM 6 z emb cr	Nut H M6 z notched shoulder	18
216	0301020002	Goupille 4x24 HBK	Cotter-pin 4x24 HBK	1
217	5002010503	Carter latéral gauche caisson (gris 8120)	LHS case cover (grey 8120)	1
217	5002011102	Carter latéral gauche caisson (gris PGSL)	LHS case cover (grey PGSL)	1
217	5002013003	Carter latéral gauche caisson gris (7015)	LHS case cover grey (7015)	1
218	5002010502	Carter latéral droit caisson (gris 8120)	RHS case cover (grey 8120)	1
218	5002011101	Carter latéral droit caisson (gris PGSL)	RHS case cover (grey PGSL)	1
218	5002013002	Carter latéral droit caisson gris (7015)	RHS case cover grey (7015)	1



Rep N°	Ref.	Designation	Description	Qte
300	5002010504	Carter supérieur caisson (gris 8120)	Upper plate (grey 8120)	1
300	5002011103	Carter supérieur caisson (gris PGSL)	Upper plate (grey PGSL)	1
300	5002013004	Carter supérieur caisson gris (7015)	Upper plate grey (7015)	1
301	5002010508	Potence guidon (gris 8120)	Handlebar bracket (grey 8120)	2
301	5002011108	Potence guidon (gris PGSL)	Handlebar bracket (grey PGSL)	1
301	5002013008	Potence guidon gris (7015)	Handlebar bracket grey (7015)	1
302	5002010101	Balancier	Rocker arm	1
303	0306060013	Poulie oscillante	Oscillating pulley	1
304	0306060002	Poulie moteur	Motor pulley	1
305	0306030023	Courroie 4L13 x 703	Fanbelt 4L13 x 703	1
306	0306010015	Roulement 6204 2RS	Ball race 6204 2RS	1
307	0302010016	Axe de poulie oscillante	Oscillating pulley axle	1
308	0302020025	Entretoise 30 x 12,2 x 15	Spacer 30 x 12,2 x 15	1
309	0301040001	Clavette 4.76x4.76x40	Key 4.76x4.76x40	1
310	0301050001	Clips 4.2	Clips 4.2	4
311	0301070006	Circlips I 47	Circlips I 47	2
312	0300060302	Vis 3/8 TH24 UNF Lg25z	Screw 3/8 TH24 UNF Lg25z	1
313	0300010815	Vis HM 8x16 z emb cr	Screw H M8x16 z notched shoulder	4
314	0300010817	Vis H M8 x 40	Screw H M8 x 40	4
314	0300010827	Vis M8 x 35 x 22 (BS 60)	Screw M8 x 35 x 22 (BS 60)	2
315	0300020601	Vis CHC M 6x16z	Screw CHC M6x16z	2
316	0300011209	Vis HM12x70z	Screw HM 12x70z	1
317	0300410602	Rondelle 6.3x19x2.5 Z	Washer 6.3x19x2.5 Z	2
318	0300410901	Rondelle 9x20x3 Z	Washer 9x20x3 Z	4
319	0300401001	Rondelle M 10x27x2 Z	Washer M 10x27x2 Z	1
320	0300431001	Rondelle contact 10 Bic	Elastic washer 10 Bic	1
321	0341000046	Rondelle feutre 22x48x2	Felt washer 22x48x2	1
322	0300260801	Ecrou H M8 z emb cr	Nut H M8 z notched shoulder	8
323	0300251202	Ecrou H M12 z emb cr	Nut H M12 z notched shoulder	1
324	0302020023	Entretoise 34,7 x 22,4 x 11 (Honda)	Spacer 34,7 x 22,4 x 11 (Honda)	1
400	5002010506	Coupelle (Gris 8120)	Blade guard (Grey 8120)	1
400	5002011106	Coupelle (Gris PGSL)	Blade guard (Grey PGSL)	1
400	5002013006	Coupelle Gris (7015)	Blade guard Grey (7015)	1
401	5002010505	Carter droit coupelle (gris 8120)	Right cup case (grey 8120)	1
401	5002011105	Carter droit coupelle (gris PGSL)	Right cup case (grey PGSL)	1
401	5002013005	Carter droit coupelle gris (7015)	Right cup case grey (7015)	1
402	5002010105	Levier embrayage coupelle	Blade guard clutch lever	1
403	5002010106	Levier frein de lame	Blade brake lever	1
404	5002010104	Guide courroie coupelle	Cup belt guide	1
405	0302030025	Palier coupelle	Blade guard bearing	1
406	0306010008	Roulement 6006	Bearing 6006	2
407	0302010001	Arbre coupelle	Blade guard shaft	1
408	0306060012	Poulie lame Ø130	Blade guard pulley	1
409	0320020007	Lame Ø521	Blade Ø521	1
410	0306030036	Courroie LM B 1225	Fanbelt LM B 1225	1
411	0305010005	Ressort de rappel	Return spring	1
412	0305010001	Ressort frein de lame	Spring	1
413	0305000002	Tige de liaison leviers	Lever linkage rod	1
414	5504000032	Rondelle protection arbre coupelle	Cup shaft protection washer	1
415	0302020018	Entretoise 20 x 10,5 x 6	Spacer 20 x 10,5 x 6	2
416	0302020033	Entretoise lame épaulée	L-shaped blade spacer	1
417	0302020035	Entretoise 50 x 28 x 32	Spacer 50 x 28 x 32	1
418	0302020039	Entretoise serrage	Blocking washer	1
419	0302020043	Entretoise 40 x 30,5 x 8	Spacer 40 x 30,5 x 8	1
421	0340040014	Galet d'embrayage I Junior	Clutch roller	4
421	0301040003	Clavette 5x5x30	Key 5x5x30	1
422	0301070009	Circlip int 55	Circlip int 55	2
423	5504000011	Garniture frein de lame	Blade brake lining	1
424	0300090402	Vis Spiraforme M4x15 K	Screw Spiraforme M4x15 K	2
425	0300010609	Vis HM 6x16 z emb cr	Screw HM 6x16 z notched shoulder	1
426	0300011008	Vis H M10x25 z	Screw H M10x25 z	4
427	0300090801	Vis H M8x25 z pas à gauche	Screw H M8x25 z LH	1
428	0300010806	Vis HM 8x20 z	Screw HM 8x20 z	1
429	0300011004	Vis H M10x40 z	Screw H M10x40 z	2
430	0300011211	Vis HM12x25 N CI 10.9	Screw HM 12x25 N CI 10.9	1
431	0300461001	Rondelle starlock Ø10	Starlock washer Ø10	1
432	0300410602	Rondelle 6.3x19x2.5 Z	Washer 6.3x19x2.5 Z	1
433	0300400802	Rondelle M8x18x1.5 Z	Washer M8x18x1.5 Z	2
434	0300401002	Rondelle M 10x22x2 Z	Washer M 10x22x2 Z	8
435	0300401003	Rondelle M 10x20x2z	Washer M 10x20x2z	4
436	0300411101	Rondelle 11x30x5z	Washer 11x30x5z	1
437	0300430801	Rondelle contact 8	Contact washer 8	2
438	0300431201	Rondelle contact 12 Bic	Elastic washer 12 Bic	1
439	0300210602	Ecrou frein M 6 Z	Blocking nut M 6 Z	1
440	0300210802	Ecrou frein M 8 Z	Blocking nut M 8 Z	2
441	0300211001	Ecrou frein M 10 Z	Blocking nut M 10 Z	6
442	0503000006	Etiquette "danger lame"	Label "danger sticker"	2
443	0300010821	Vis HM 8x55 z 8.8	Screw HM 8x55 z 8.8	1



Rep N°	Ref.	Designation	Description	Qte
500	5002010307	Guidon (noir)	Handlebar (black)	1
500	5002011107	Guidon (gris PGSL)	Handlebar (grey PGSL)	1
500	5002010507	Guidon (gris 8120)	Handlebar (grey 8120)	1
501	0307010014	Poignée + câble d'arrêt	Handle + arresting cable	1
502	0307010006	Levier Mag Ø22 et Ø25	Lever Mag Ø22 et Ø25	2
503	0308020023	Câble d'emb May Mar	Forward clutch cable	2
504	0341000035	Poignée PVC Ø25 pour home mort	Hand side grip Ø25 for home mort	1
505	0341000036	Poignée plastique Ø25	Hand side grip Ø25	1
506	0307020003	Manette de gaz	Accelerator lever	1
507	0308040006	Câble de gaz 1200 x LF54	Throttle cable	1
508	0307020001	Cache manette 17312 noir	Accelerator lever housing	1
509	5002010108	Manette embrayage de lame	Clutch lever	1
510	0308020015	Câble embrayage lame	Blade clutch cable	1
511	0305010010	Ressort TR15x75.3/10 galva	Locking spring	1
512	0341000024	Embout type A -D9 lg 50 noir	End piece length: 50	1
513	0341000025	Embout type A -D9 lg 90 noir	End piece length: 90	1
514	0300090301	Vis DURO PT WN 1752 S35 x 8	Screw Duro	1
515	0300030603	Vis TF HC M6x45z DIN 7991	Screw TF HC M6x45z DIN 7991	1
516	0300460801	Rondelle Starlock Ø8	Starlock washer Ø8	2
517	0300210602	Ecrou frein M 6 Z	Blocking nut M 6 Z	1
518	0300211201	Ecrou frein M 12 Z	Blocking nut M 12 Z	1
519	0301060003	Collier polya	Collar	1
520	0503000002	Etiquette frein moteur	Engine brake label	1
521	0503000026	Etiquette d'avancement May	Forward movement stricker	1
522	0503000001	Etiquette d'avancement Mar	Engage reverse gear label	1
523	0503000023	Etiquette d'embrayage de lame	Forward gear clutch label	1
524	0503000044	Etiquette gaz Honda GCV	Label throttle control GCV	1
524	0503000043	Etiquette gaz sans stop	Label throttle control without stop	1