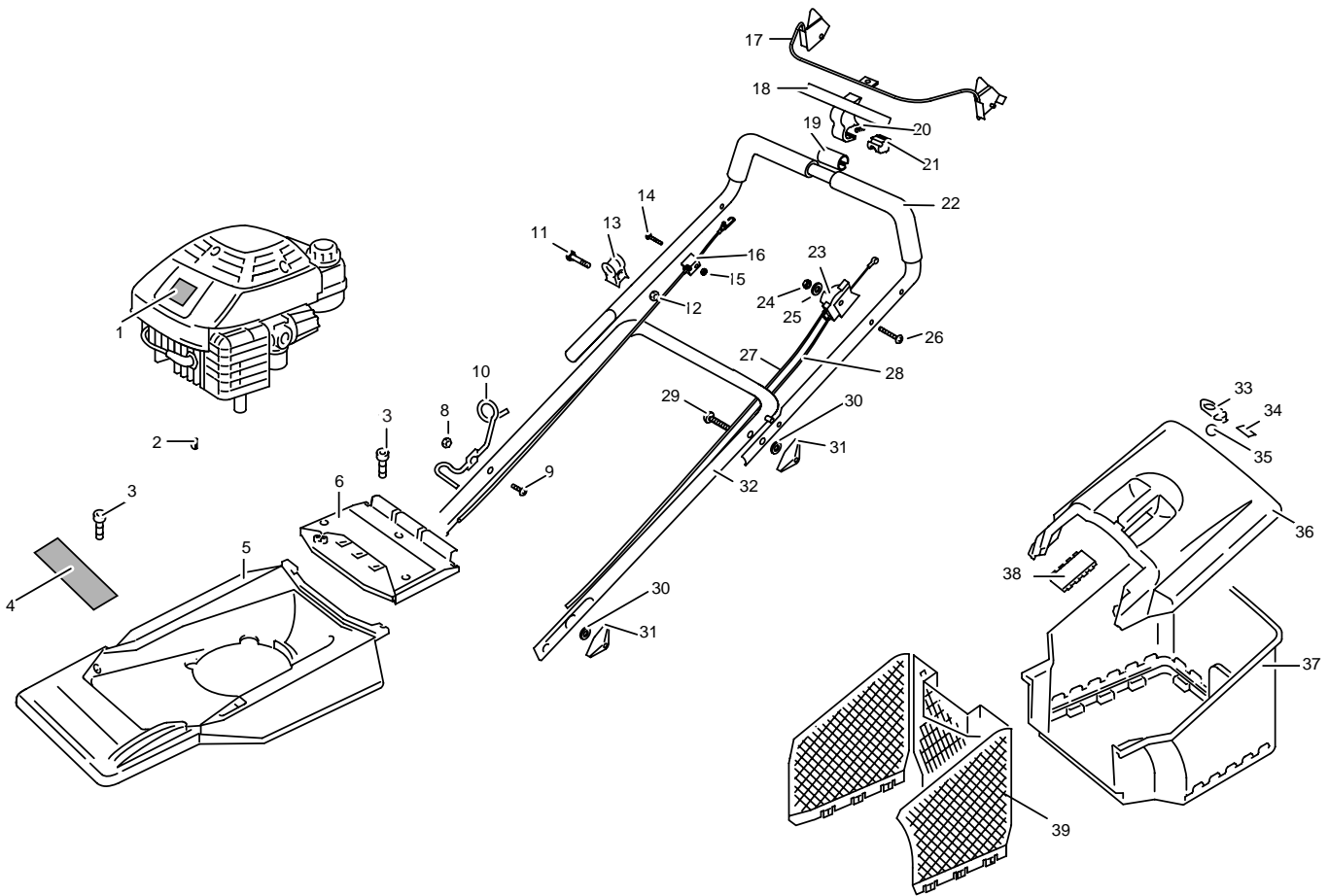
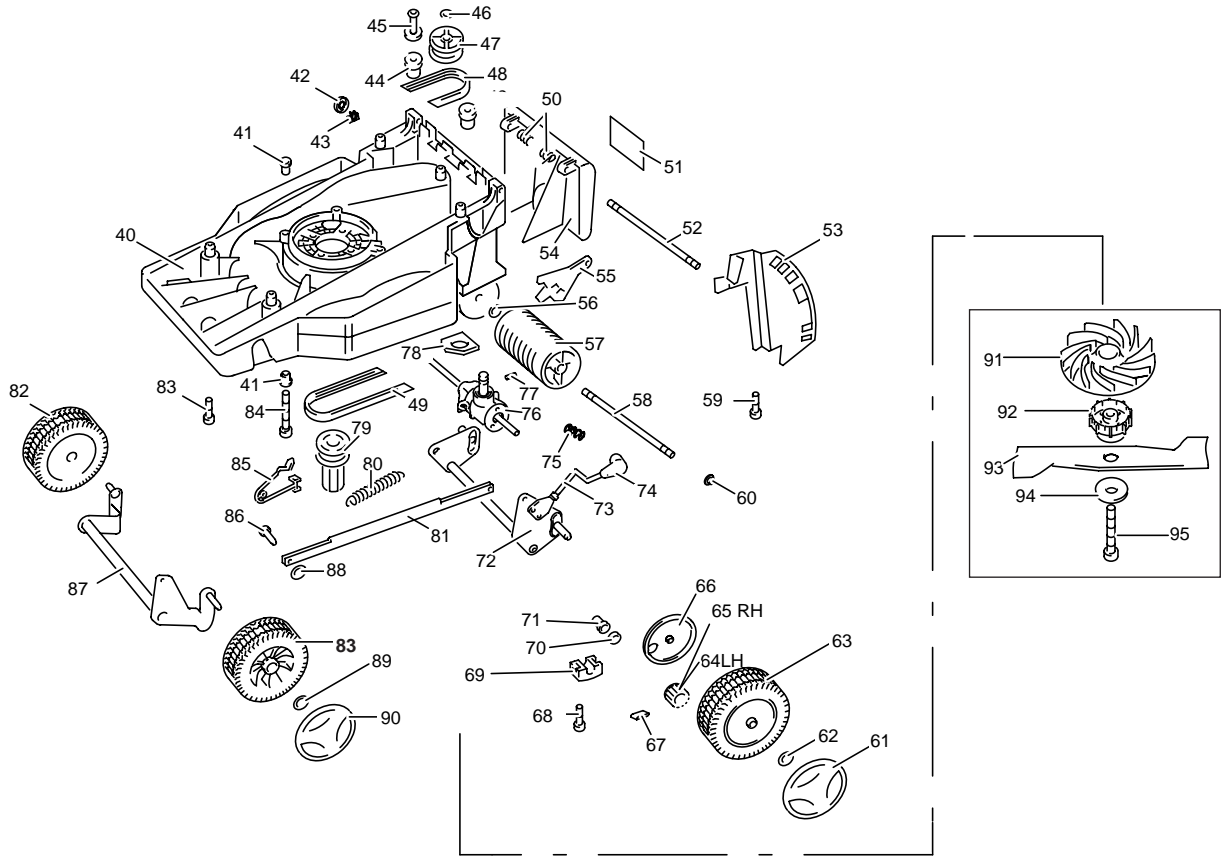


MODEL	VT420XLP	PRODUCT APPLICATION
PRODUCT NO.	9644322	9644322-51 GB



Key	Part Number	Description	Qty	Key	Part Number	Description	Qty
01	5149250-00/2	LABEL	1	22	5127549-01/1	UPPER HANDLE ASSY	1
02	5140053-00/9	KEY	1	23	5149492-00/0	THROTTLE CONTROL HOUSING	1
03	5146824-00/7	SCREW	5	24	5147180-00/3	NUT	1
04	5149283-00/3	LABEL-FLYMO	1	25	5148876-00/5	WASHER	1
05	5106609-01/8	BASE COWLING	1	26	5149453-00/2	BOLT	1
06	5106603-01/1	ACCESS PANEL	1	27	5149496-00/1	BRAKE CABLE	1
08	5148637-00/1	NUT	1	28	5149495-00/3	THROTTLE CABLE	1
09	5148636-02/9	BOLT-PAN HEAD	1	29	5148510-00/0	BOLT NIBBED	2
10	5138296-00/8	LOWER GUIDE - PULL CORD	1	30	5149275-01/7	SPACER	4
11	5149372-00/4	BOLT-1/4 BSW	1	31	68570-07/6	WING KNOB	4
12	5149373-00/2	NUT-WING 1/4 BSW	1	32	5127411-00/6	HANDLE LOWER	1
13	5138297-00/6	UPPER GUIDE - PULL CORD	1	33	5127377-00/9	INDICATOR COVER	1
14	5148636-01/1	BOLT	1	34	5149233-00/8	LABEL,GRASSBOX	1
15	5148637-00/1	NUT	1	35	5149277-00/5	BALL,YELLOW	1
16	5138410-00/5	CLUTCH CABLE	1	36	5138310-00/7	GRASSBOX TOP SUB ASSY	1
17	5118035-01/2	LEVER-BRAKE/POWER DRIVE	1	37	5106589-00/4	GRASSBOX LOWER	1
18	5106706-00/4	TOGGLE-P/D BRAKE LEVER	1	38	5127397-00/7	COVER PLATE	1
19	5138268-00/7	CLIP	1	39	5106591-00/0	SCREEN	1
20	5138392-00/5	SPRING-TOGGLE	1				
21	5118037-00/0	RETAINER-TOGGLE	1				

MODEL	VT420XLP	PRODUCT APPLICATION
PRODUCT NO.	9644322	9644322-51 GB



Key	Part Number	Description	Qty	Key	Part Number	Description	Qty
40	5106608-04/4	DECK	1	69	5137730-00/7	CLAMP BRIDGE	2
41	5148551-00/4	BUSH INSULATOR	6	70	5140281-01/4	WASHER	2
42	5148825-00/2	PUSH-ON-FIX	1	71	5148485-00/5	BUSH AXLE	2
43	5137801-00/6	CLIP AXLE	1	72	5127431-02/0	REAR AXLE SUB ASSEMBLY	1
44	5148509-00/2	GUIDE BUSH	3	73	5138344-00/6	HEIGHT ADJUST LEVER	1
45	5148528-00/2	PLASTIC RIVET	3	74	5127382-00/9	HEIGHT ADJUSTER KNOB	1
46	5148526-00/6	CIRCLIP	1	75	5138305-00/7	SPRING-CLUTCH	1
47	5138423-00/8	PULLEY	1	76	5127461-00/1	GEARBOX ASSEMBLY	1
48/49	5126882-01/7	DRIVE BELT	1	77	5148478-00/0	PIN	1
50	5137845-00/3	SPRING RETURN	2	78	5137798-00/4	FOAM SEAL	1
51	5146485-00/7	LABEL WARNING	1	79	5127568-00/3	DRIVE HUB	1
52	5138237-00/2	TIE BAR	1	80	5137731-00/5	SPRING COUNTERBALANCE	1
53	5126867-00/0	QUADRANT	1	81	5148832-00/8	LINK	1
54	5106590-00/2	SAFETY FLAP	1	82	5127517-00/0	WHEEL	2
55	5138248-00/9	INDEX PLATE	2	83	5148552-01/0	SCREW	4
56	5140281-01/4	WASHER	1	84	5149167-00/8	BOLT ENGINE SHANKED	3
57	5126880-00/3	ROLLER	2	85	5127391-00/0	INDICATOR	1
58	5137709-00/1	AXLE ROLLER	1	86	5148506-01/6	CLEVIS PIN	2
59	5146736-00/3	SCREW	1	87	5127430-00/6	FRONT AXLE FABRICATION	1
60	5137802-00/4	MOUNT AXLE	1	88	5148524-00/1	WASHER STARLOCK	2
61	5127378-00/7	HUB CAP	2	89	5149108-00/2	PUSH ON FIX	2
62	5149108-00/2	PUSH ON FIX	2	90	5127530-00/3	HUB CAP	2
63	5127519-00/6	DRIVE WHEEL ASSY	2	91	5117785-00/5	IMPELLER	1
64	5138050-00/9	DRIVE SPROCKET L/H	1	92	5127032-00/0	BLADE SPACER	1
65	5138050-01/7	DRIVE SPROCKET R/H	1	93	5117183-00/3	BLADE 42CM	1
66	5126884-00/5	BACK PLATE	2	94	5148598-00/5	DISC SPRING	1
67	5148831-00/0	PAWL	2	95	5146677-09/0	BLADE BOLT	1
68	5148519-01/9	SCREW	4				