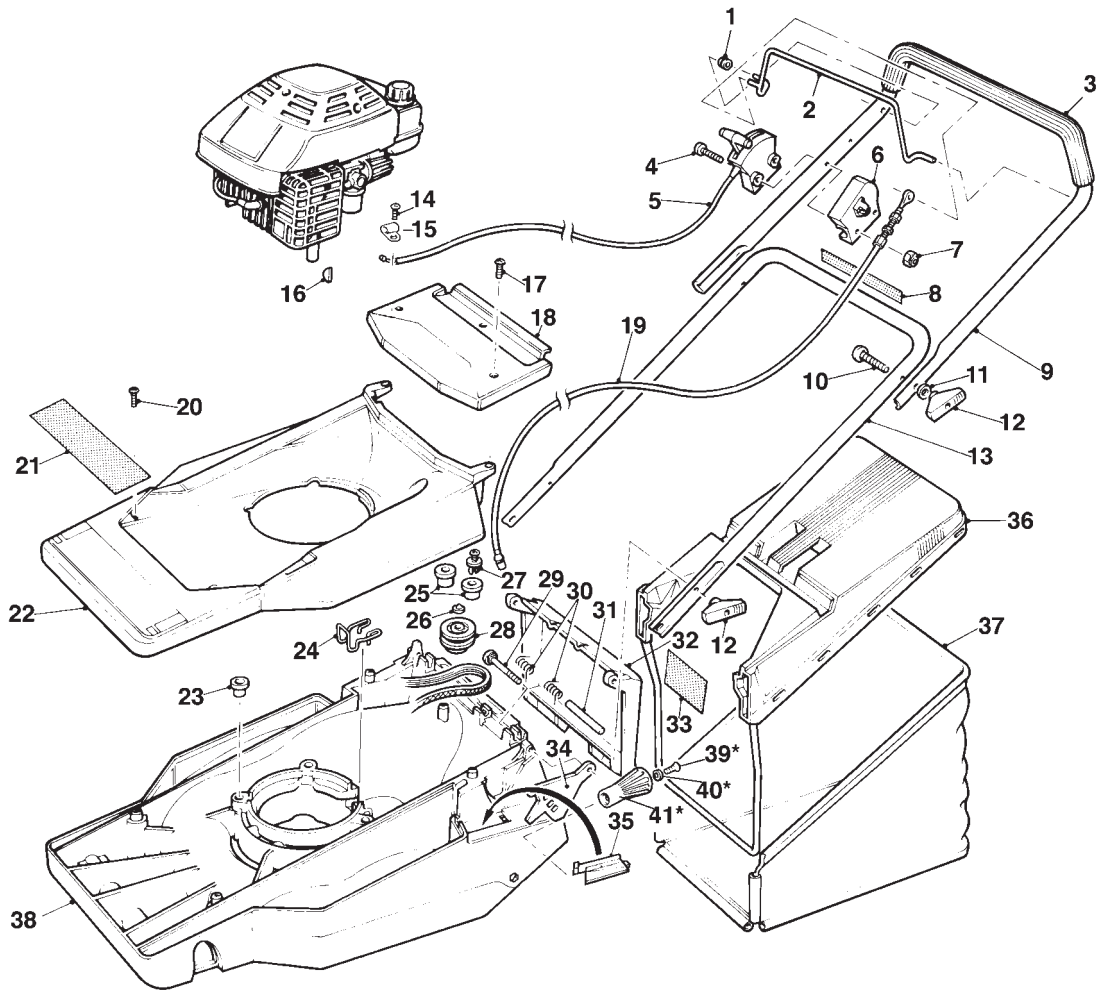


MODEL	RRL420P
PRODUCT NO.	9644258, 9644285



KEY	PART NUMBER	DESCRIPTION	QTY	KEY	PART NUMBER	DESCRIPTION	QTY
01	5148503-00/5	INSULATING BUSH	2	22	5106351-01/7	COWL BASE	1
02	5117508-00/1	GRAB RAIL	1	23	5148551-00/4	BUSH, INSULATOR	6
03	5138004-00/6	HANDLE GRIP	1	24	5148999-00/5	BELT RETAINER	1
04	5148636-00/3	SCREW	2	25	5148509-00/2	BUSH, GUIDE	2
05	5126883-04/9	THROTTLE CONTROL	1	26	5148526-00/6	E CLIP	1
06	5126881-00/1	CLUTCH CABLE ANCHORAGE	1	27	5148258-00/2	RIVET, PLASTIC	2
07	5148637-00/1	NUT	2	28	5137891-00/7	PULLEY	2
08	5149000-00/1	LABEL, WARNING	3	29	5148505-00/0	BOLT, COACH	2
09	5127157-12/0	HANDLE, UPPER C/W GRIP	4	30	5137845-00/3	SPRING, RETURN	2
10	5148510-00/0	BOLT	2	31	5148658-00/8	GUIDE, SPRING	1
11	5140281-04/8	WASHER	3	32	5106353-68/2	SAFETY FLAP	1
12	5137679-03/0	WING KNOB	4	33	5146485-00/7	LABEL, WARNING	1
13	5127278-02/5	HANDLE, LOWER	1	34	5137810-00/7	INDEX PLATE	2
14	5146941-00/9	SCREW	1	35	5138016-00/0	ADJUSTER SIGHT	1
15	5148709-00/8	P CLIP	1	36	5127231-02/4	GRASSBAG TOP & FRAME	1
16	5140053-00/9	KEY	1	37	5117182-01/3	GRASSBAG	1
17	5146824-00/7	SCREW	3	38	5106443-04/6	DECK	1
18	5106447-01/3	ACCESS PANEL	1	39	5148971-00/4	SCREW	1
19	5137892-00/5	CABLE, CLUTCH	1	40	5148876-00/5	WASHER	1
20	5148519-01/9	SCREW	8	41	5127130-00/2	KNOB, ADJUSTER	1
21	5137880-01/8	LABEL	1				

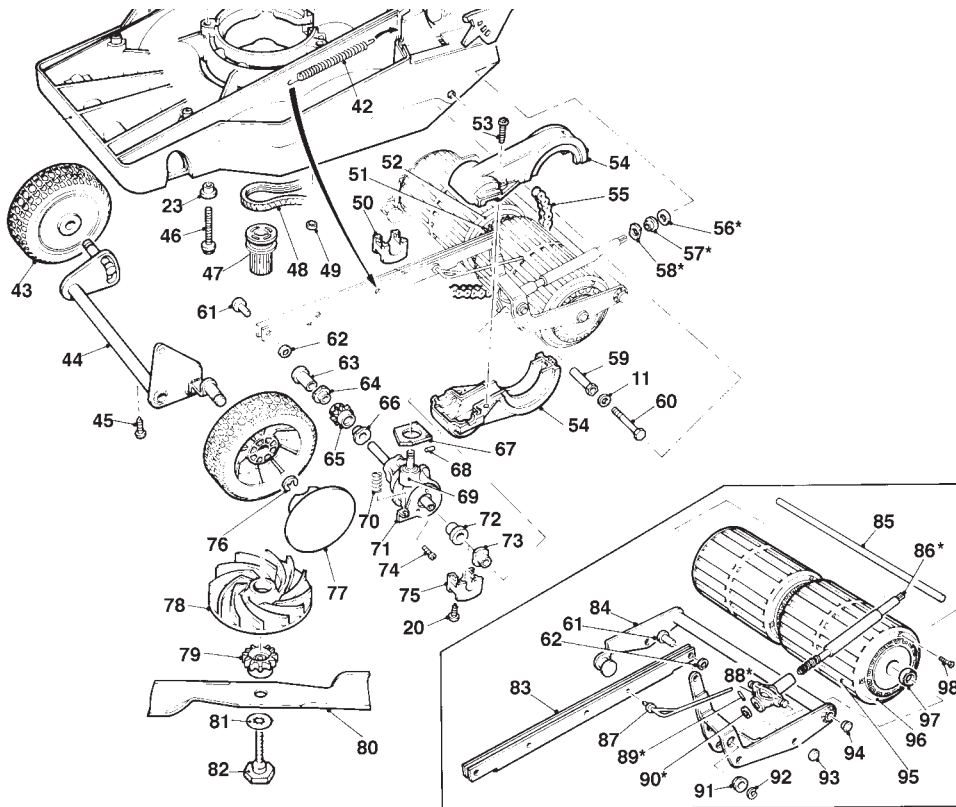
### PRODUCT APPLICATION

9644258-51	GB,EI
9644285-51	GB,EI

### NOTE

ON PRODUCT NUMBER 9644285 FROM SERIAL NUMBER 34800001 ONWARDS, THE GEARBOX ASSEMBLY ON THIS PRODUCT CHANGED. THE GEARBOX SHOWN IN THIS PARTS LIST REPLACES ALL OTHER GEARBOX ASSEMBLIES FOR THIS PRODUCT.

MODEL	RRL420P
PRODUCT NO.	9644258, 9644285



KEY	PART NUMBER	DESCRIPTION	QTY	KEY	PART NUMBER	DESCRIPTION	QTY
42	5137731-00/5	SPRING COUNTERBALANCE	1	75	5138006-00/1	CLAMP, BRIDGE	1
43	5127136-00/9	WHEEL	2	76	5149108-00/2	PUSH-ON FIX	2
44	5127236-00/7	AXLE FABRICATION	1	77	5127158-01/1	HUB CAP	2
45	5148552-02/8	SCREW	4	78	5117785-00/5	FAN	1
46	5148508-00/4	BOLT	3	79	5127032-00/0	BLADE SPACER	1
47	5138093-00/9	DRIVE HUB	1	80	5117183-00/3	BLADE, 42CM	1
48	5126882-00/9	DRIVE BELT	1	81	5148598-00/5	DISC SPRING	1
49	5149001-00/9	STARLOCK WASHER	3	82	5146677-09/0	BLADE BOLT	1
50	5137730-00/7	CLAMP, BRIDGE	2	83	5148832-00/8	LINK	1
51	5138072-00/3	DRIVEN SPROCKET	1	84	5117491-00/0	ROLLER FRAME	1
52	5117558-00/6	END CAP, INNER	2	85	5138013-00/7	AXLE, ROLLER	1
53	5149004-00/3	SCREW	3	86	5138010-00/3	SPINDLE	1
54	5127128-00/6	DUST COVER	2	87	5148838-00/5	INDICATOR, HEIGHT OF CUT	1
55	5148930-00/0	CHAIN	1	88	5127129-00/4	TRUNNION	1
56	5148836-00/9	WASHER, THRUST	1	89	5148849-00/2	SPIROL PIN	1
57	5148830-00/2	BUSH, LINER	1	90	5140980-00/3	WASHER	1
58	5148884-00/9	WASHER	1	91	5148868-00/2	SPACER/RETAINER	2
59	5138009-00/5	SPACER	1	92	5148123-00/2	E CLIP	2
60	5148837-00/7	BOLT	1	93	5148969-00/8	CAP, AXLE	2
61	5148506-00/8	CLEVIS PIN	1	94	5168517-00/0	CAP	2
62	5148524-00/1	STARLOCK WASHER	1	95	5127134-00/4	ROLLER TUBE	2
63	5148485-00/5	BUSH, AXLE	1	96	5117494-00/4	END CAP OUTER	2
64	5148878-00/1	BUSH	1	97	5148504-00/3	BEARING	4
65	5148936-00/7	DRIVE SPROCKET ASSY	1	98	5148935-00/9	SCREW	12
66	5148878-00/1	BUSH	1	99	5149133-00/0	TRUNNION BAR	1
67	5137798-00/4	FOAM SEAL	1	100	5138182-00/0	HOOK BOLT	1
68	5148478-00/0	RATCHET PIN	1	101	5149136-00/3	TUBE, UP STOP	1
69	5127480-00/1	GEARBOX ASSY	1	102	5149134-00/8	NUT	2
70	5137733-00/1	CLUTCH SPRING	1	103	5127327-00/4	BEARING, DETENT	1
71	5137701-01/6	ACTUATING PLATE	1	104	5127311-00/8	KNOB ADJUSTER	1
72	5148833-00/6	BUSH	1	105	5149135-00/5	SPRING, COMPRESSION	1
73	5138007-00/9	NUT	1	106	5149109-00/0	NUT, ADJUSTER	1
74	5147114-00/2	SCREW	6				