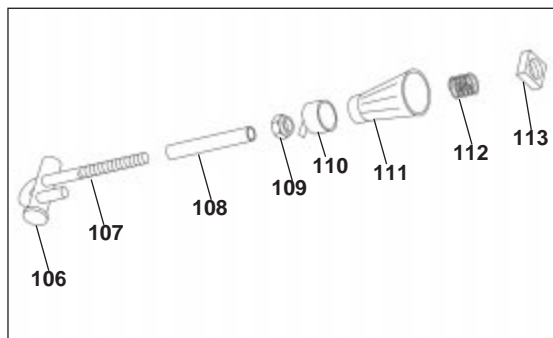
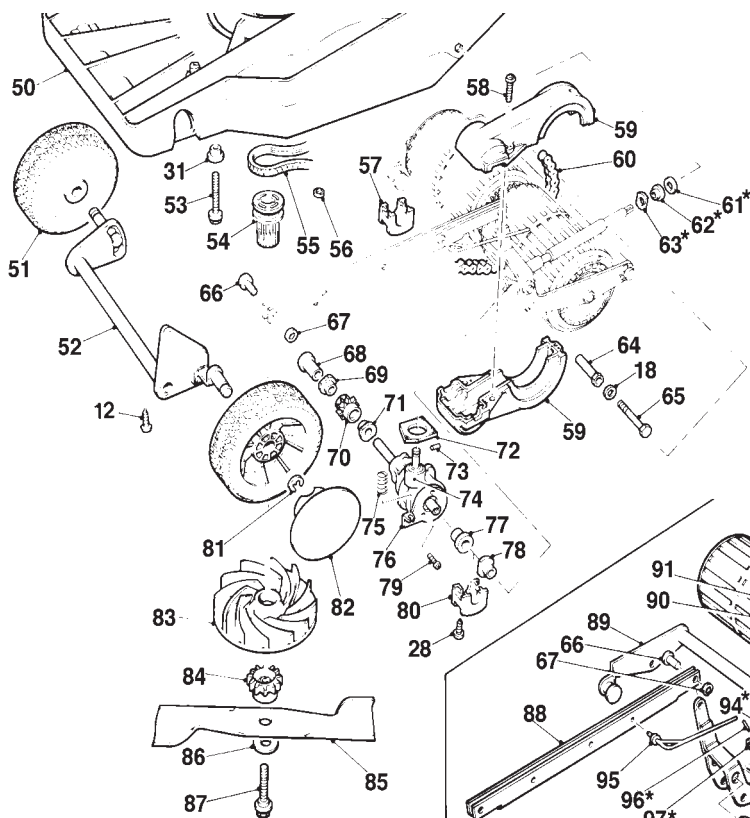
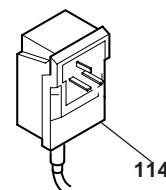
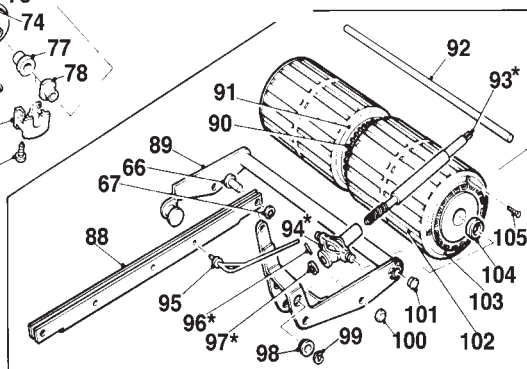


MODEL	RRL420PE
PRODUCT NO.	9644261, 9644286



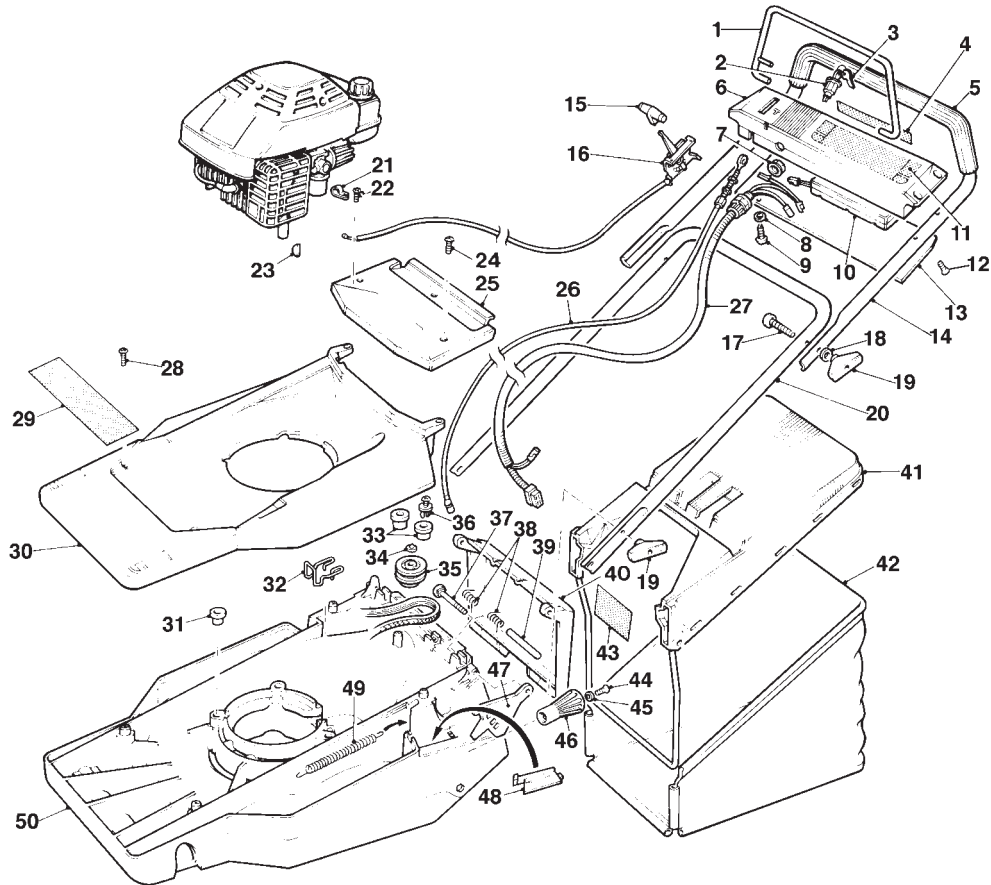
Height of Cut Components
Fitted to Product Number: 9644286



All Parts with * are Fitted to Product Number: 9644261

KEY	PART NUMBER	DESCRIPTION	QTY	KEY	PART NUMBER	DESCRIPTION	QTY
50	5106443-04/6	DECK	1	82	5127158-01/1	HUB CAP	2
51	5127136-00/9	WHEEL	2	83	5117785-00/5	FAN	1
52	5127236-00/7	AXLE FABRICATION	1	84	5127032-00/0	BLADE SPACER	1
53	5148508-00/4	BOLT	3	85	5117183-00/3	BLADE, 42CM	1
54	5138093-00/9	DRIVE HUB	1	86	5148598-00/5	DISC SPRING	1
55	5126882-00/9	DRIVE BELT	1	87	5146677-09/0	BLADE BOLT	1
56	5149001-00/9	WASHER, STARLOCK	2	88	5148832-00/8	LINK	1
57	5137730-00/7	CLAMP BRIDGE	2	89	5117491-00/0	ROLLER FRAME	1
58	5149004-00/3	SCREW	3	90	5138072-00/3	DRIVEN SPROCKET	1
59	5127128-00/6	DUST COVER	2	91	5117558-00/6	END CAP, INNER	2
60	5148930-00/0	CHAIN	1	92	5138013-00/7	AXLE, ROLLER	1
61	5148836-00/9	WASHER, THRUST	1	93	5138010-00/3	SPINDLE	1
62	5148830-00/2	BUSH, LINER	1	94	5127129-00/4	TRUNNION	1
63	5148884-00/9	WASHER	1	95	5148838-00/5	HEIGHT INDICATOR	1
64	5138009-00/5	SPACER	1	96	5148849-00/2	SPIROL PIN	1
65	5148837-00/7	BOLT	1	97	5140980-00/3	WASHER	2
66	5148506-00/8	CLEVIS PIN	2	98	5148868-00/2	SPACER/RETAINER	2
67	5148524-00/1	STARLOCK WASHER	2	99	5148123-00/2	'E' CLIP	2
68	5148485-00/5	BUSH, AXLE	1	100	5148969-00/8	CAP, AXLE	2
69	5148878-00/1	BUSH	1	101	5168517-00/0	CAP	2
70	5148936-00/7	DRIVE SPROCKET ASSEMBLY	1	102	5127134-00/4	ROLLER TUBE	2
71	5148878-00/1	BUSH	1	103	5117494-00/4	END CAP, OUTER	2
72	5137798-00/4	FOAM SEAL	1	104	5148504-00/3	BEARING	4
73	5148478-00/0	PIN	1	105	5148935-00/9	SCREW	12
74	5127480-00/1	GEARBOX ASSY	1	106	5149133-00/0	TRUNNION BAR	1
75	5137733-00/1	CLUTCH SPRING	1	107	5138182-00/0	HOOK BOLT	1
76	5137701-01/6	ACTUATING PLATE	1	108	5149136-00/3	TUBE, UP STOP	1
77	5148833-00/6	BUSH	1	109	5149134-00/8	NUT	2
78	5138007-00/9	NUT	1	110	5127327-00/4	BEARING, DETENT	1
79	5147114-00/2	SCREW	6	111	5127311-00/8	KNOB ADJUSTER	1
80	5138006-00/1	BRIDGE CLAMP	1	112	5149135-00/5	SPRING, COMPRESSION	1
81	5149108-00/2	PUSH-ON-FIX	2	113	5149109-00/0	NUT, ADJUSTER	1
				114	5118943-00/3	BATTERY CHARGER	1

MODEL	RRL420PE
PRODUCT NO.	9644261, 9644286



KEY	PART NUMBER	DESCRIPTION	QTY	KEY	PART NUMBER	DESCRIPTION	QTY
01	5117340-00/9	GRAB RAIL	1	26	5137892-01/3	CLUTCH CABLE	1
02	5137860-00/2	IGNITION SWITCH	1	27	5127127-01/6	LOOM	1
03	5137860-01/0	IGNITION KEY	1	28	5148519-01/9	SCREW	4
04	5149000-00/1	LABEL WARNING	1	29	5137880-01/8	LABEL, FLYMO	1
05	5138004-00/6	HANDLE GRIP	1	30	5106351-01/7	COWL	1
06	5148679-00/3	CONSOLE	1	31	5148551-00/4	BUSH, INSULATOR	6
07	5148705-00/6	LOCKNUT	1	32	5148999-00/5	BELT RETAINER	1
08	5148768-00/4	WASHER	3	33	5148509-00/4	BUSH, GUIDE	2
09	5148552-02/8	SCREW	7	34	5148526-00/6	CIRCLIP	1
10	5138049-00/1	NICAD BATTERY	1	35	5137891-00/7	PULLEY	1
11	5137879-01/0	LABEL, ELECTROSTART	1	36	5148528-00/2	PLASTIC RIVET	2
12	5148552-02/8	SCREW	1	37	5148505-00/0	BOLT COACH	2
13	5106423-00/6	COVER	1	38	5137845-00/3	SPRING, RETURN	2
14	5127238-01/1	HANDLE, UPPER	1	39	5148568-00/8	GUIDE, SPRING	1
15	5148667-01/6	KNOB	1	40	5106353-01/3	SAFETY FLAP	1
16	5127021-06/0	THROTTLE CONTROL.	1	41	5127231-02/4	GRASSBAG TOP & FRAME	1
17	5148510-00/0	BOLT, HANDLE	2	42	5117182-01/3	GRASSBAG	1
18	5140281-04/8	WASHER	3	43	5146485-00/7	LABEL, WARNING	1
19	5137679-01/4	WING KNOB	4	44	5148971-00/4	SCREW	1
20	5127278-03/3	HANDLE, LOWER	1	45	5148876-00/5	WASHER	1
21	5148709-00/8	P CLIP	1	46	5127130-00/2	ADJUSTER KNOB	1
22	5146941-00/9	SCREW	1	47	5137810-00/7	INDEX PLATE	2
23	5140053-00/9	KEY	1	48	5138016-00/0	ADJUSTER SIGHT	1
24	5146824-00/7	SCREW	3	49	5137731-00/5	SPRING, COUNTERBALANCE	1
25	5106447-01/3	ACCESS PANEL	1	50	5106443-04/6	DECK	1

PRODUCT APPLICATION

9644261-51	GB,EI
9644286-51	GB,EI

NOTE

ON PRODUCT NUMBER 9644286 FROM SERIAL NUMBER 40500001 ONWARDS, THE GEARBOX ASSEMBLY ON THIS PRODUCT CHANGED THE GEARBOX SHOWN IN THIS PARTS LIST REPLACES ALL OTHER GEARBOX ASSEMBLIES FOR THIS PRODUCT.