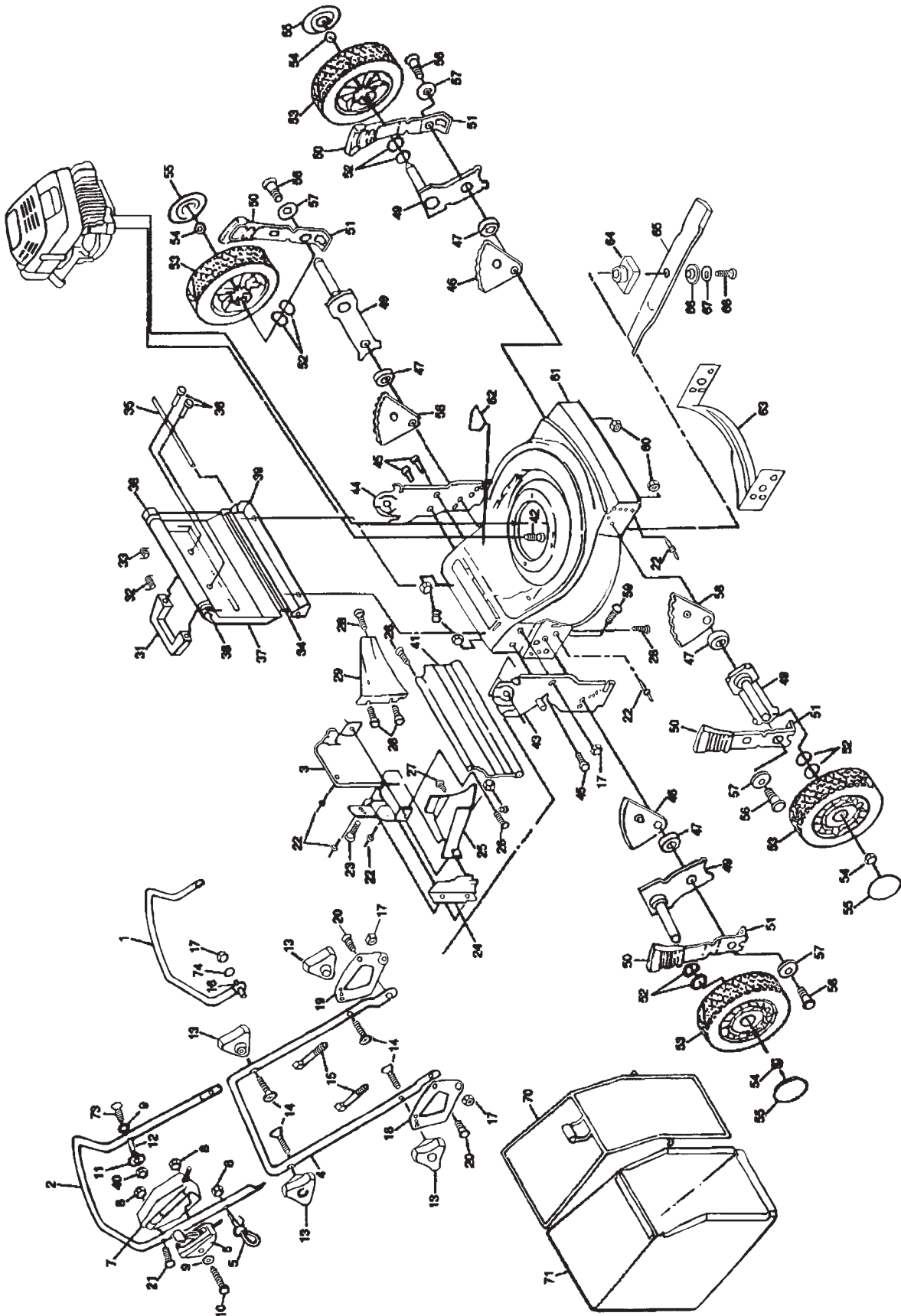


MODEL	RL500
PRODUCT NO.	9540605-01



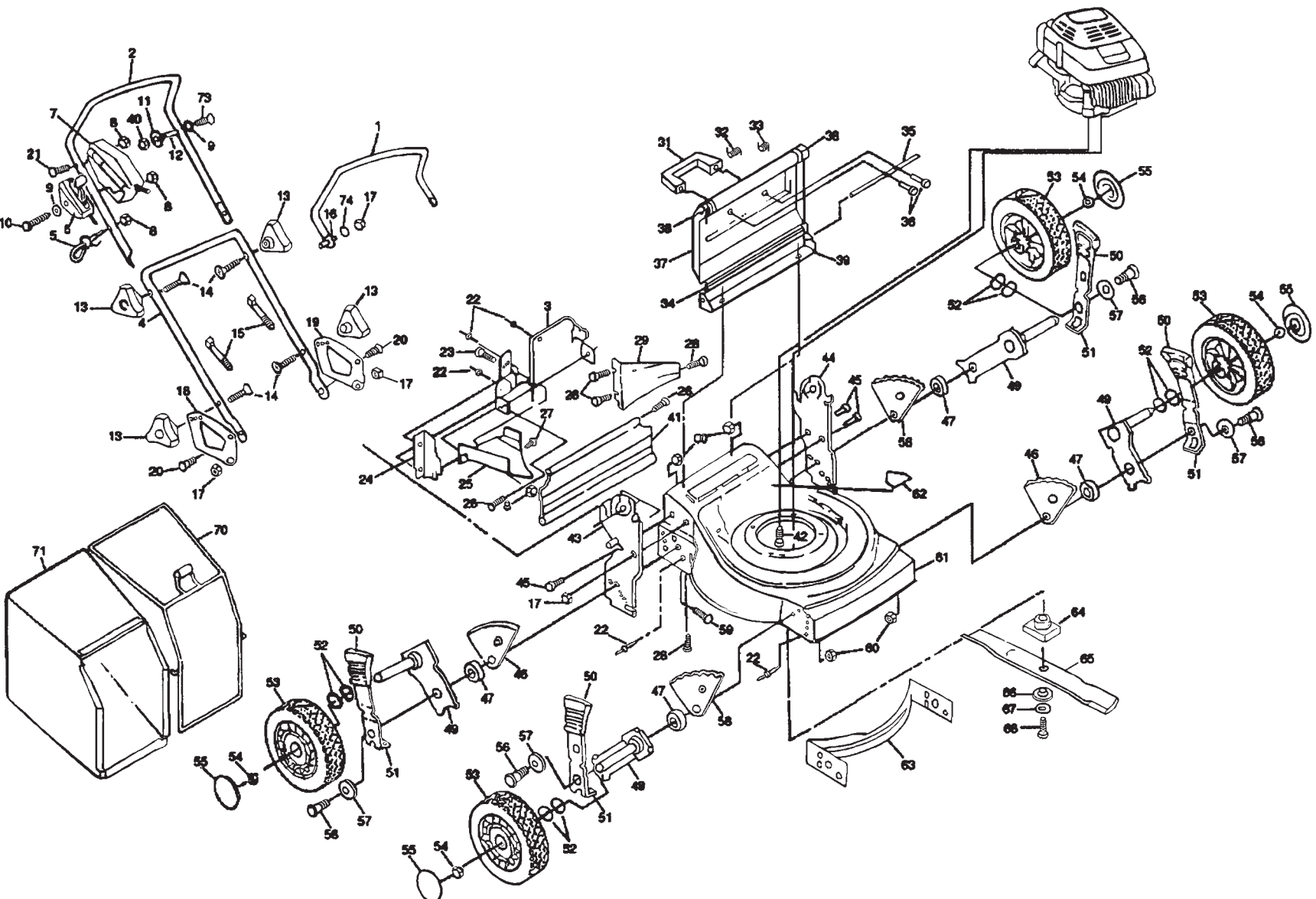
# Flymo

MODEL

RL500

PRODUCT NO.

9540605-01



MODEL	RL500
PRODUCT NO.	9540605-01



KEY	PART NUMBER	DESCRIPTION	QTY	KEY	PART NUMBER	DESCRIPTION	QTY
01	5327505-83/9	CONTROL BAR	1	60	5327515-92/9	LOCKNUT	2
02	5327505-81/3	UPPER HANDLE	1	61	5321352-25/3	HOUSING ASSY	1
03	5321250-34/1	BACK PLATE	1	62	5321073-39/6	LABEL,WARNING	1
04	5327505-79/7	LOWER HANDLE	1	63	5321253-72/5	FRONT BAFFLE	1
05	5321320-01/1	ROPE GUIDE	1	64	5328509-77/2	BLADE ADAPTOR	1
06	5321347-07/1	THROTTLE CONTROL	1	65	5328509-72/3	BLADE 50.8CM	1
07	5321287-89/7	ENGINE ZONE CONTROL CABLE	1	66	5328510-74/7	WASHER HARDENED	1
08	8738004-00/4	LOCKNUT	3	67	5328502-63/7	WASHER HELICAL	1
09	5320857-23/7	WASHER	1	68	5328510-84/6	SCREW HEX HEAD	1
10	5328511-85/1	HEX HEAD BOLT	1	70	5327506-17/5	CATCHER FRAME	1
11	5327516-26/5	SPACER	1	71	5321281-45/2	GRASSBAG	1
12	5327516-13/3	SPACER	1	73	5321289-93/5	MACHINE SCREW	1
13	5320876-92/2	HANDLE KNOB	4	74	8191012-16/3	WASHER	1
14	5321319-59/1	HANDLE BOLT	4				
15	5321247-56/0	TIE,CABLE	2				
16	5327505-87/0	ACTUATOR STUD	1				
17	8736905-00/4	LOCKNUT	3				
18	5327521-00/0	HANDLE LINK (RIGHT)	1				
19	5327521-02/6	HANDLE LINK (LEFT)	1				
20	5327521-83/6	SHOULDER BOLT	2				
21	5320860-55/3	MACHINE SCREW	1				
22	5321284-15/9	POP RIVET	7				
23	8743104-10/4	MACHINE SCREW	2				
24	5321331-84/4	SIDE BAFFLE	1				
25	5321333-35/2	DISCHARGE BAFFLE	1				
26	5320886-52/5	HINGE SCREW	2				
27	5320863-44/1	SCREW	1				
28	5320545-83/2	SCREW	3				
29	5327000-63/3	REAR BAFFLE	1				
31	5327506-21/7	DOOR HANDLE	1				
32	5327506-19/1	SPRING R/H	1				
33	5327506-20/9	SPRING L/H	1				
34	5328516-93/4	SEAL STRIP	1				
35	5327506-24/1	HINGE ROD	1				
36	5328515-52/2	PAN HEAD SCREW	2				
37	5321340-62/1	REAR DOOR	1				
38	5328516-39/7	WIPER STRIP	1				
39	5321253-30/3	HINGE BRACKET	1				
40	5321288-61/4	LOCKNUT	1				
41	5321332-59/4	REAR SKIRT	1				
42	5328509-98/8	SCREW	1				
43	5327506-15/9	HANDLE BRACKET ASSY R/H	1				
44	5327506-13/4	HANDLE BRACKET ASSY L/H	1				
45	5320551-87/1	SCREW	3				
46	5328003-68/5	ADJ BRACKET,L/H FRONT,R/H REAR	2				
47	5320849-20/0	SPACER	4				
49	5327506-10/0	AXLE ARM ASSY	4				
50	5321328-00/6	SELECTOR KNOB	4				
51	5328508-62/6	SELECTOR SPRING	4				
52	5320571-43/2	WAVE WASHER	8				
53	5327506-30/8	WHEEL & TYRE ASSY	4				
54	5320839-23/5	LOCKNUT	4				
55	5320774-00/2	HUBCAP	4				
56	5320849-21/8	SHOULDER BOLT	4				
57	5320623-35/7	WASHER BELLEVILLE	4				
58	5328003-70/1	ADJ BRACKET,R/H FRONT,L/H REAR	2				
59	8720705-05/5	CARRIAGE BOLT	2				

**PRODUCT APPLICATION**  
9540605-01 GB

WHERE NO APPLICATION DETAILS ARE SHOWN, PART APPLIES TO ALL COUNTRIES

A Austria; AUS Australia; B Belgium; CND Canada; CH Switzerland; D Germany; DK Denmark; E Spain; EI Eire; F France; GB Great Britain; I Italy; N Norway; NL Netherlands; NZ New Zealand; O/S Overseas; P Portugal; S Sweden; SF Finland; USA America; ZA South Africa