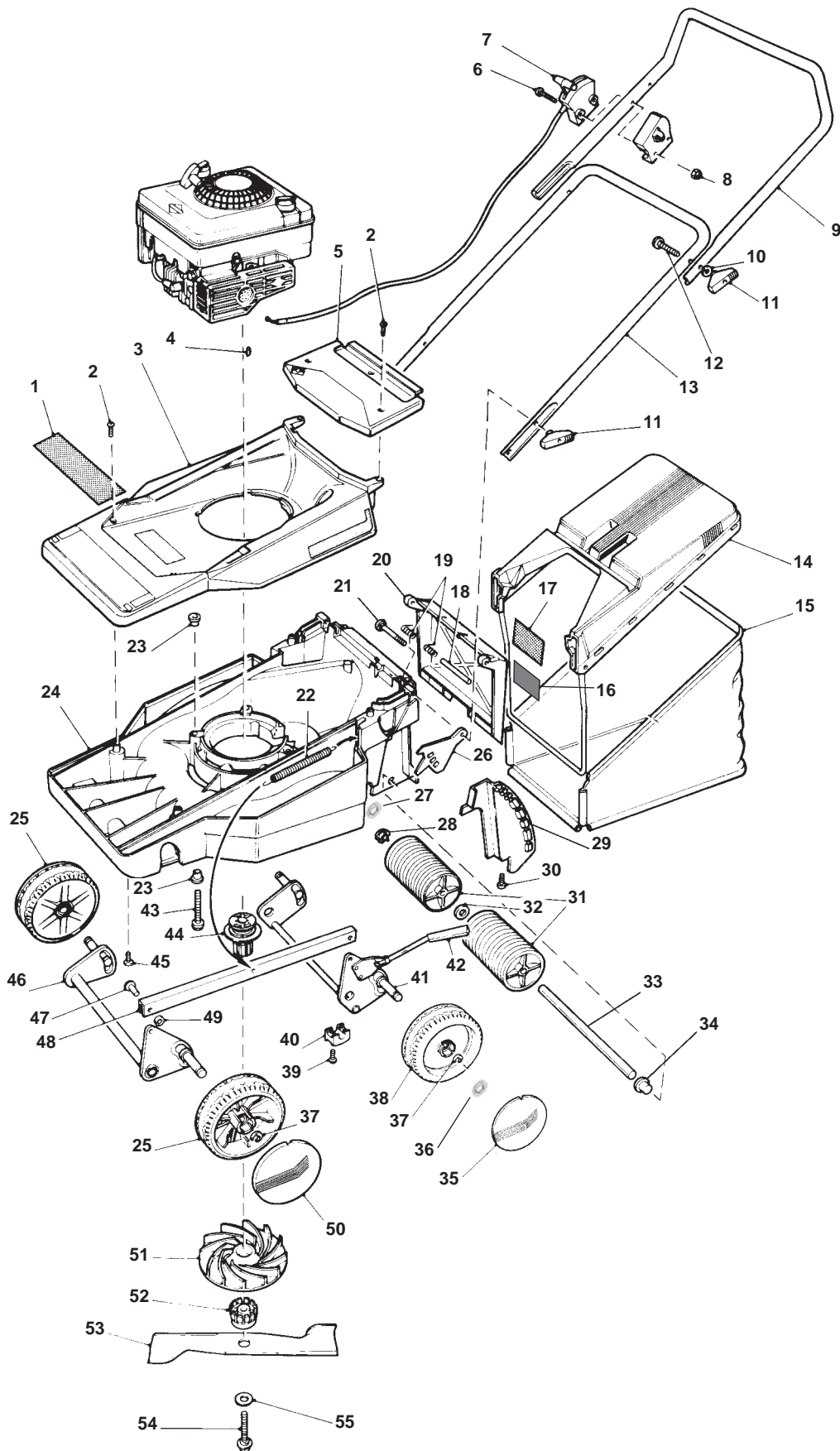


MODEL	RL420
PRODUCT NO.	9644281



MODEL	RL420
PRODUCT NO.	9644281



KEY	PART NUMBER	DESCRIPTION	QTY
01	5137492-01/2	LABEL,FLYMO	1
02	5146824-00/7	SCREW	5
03	5117200-02/1	COWL BASE	1
04	5140053-00/9	KEY	1
05	5106357-01/4	ACCESS PANEL	1
06	5148636-00/3	BOLT	2
07	5126883-01/5	THROTTLE CONTROL	1
08	5148637-00/1	NUT	2
09	5127157-11/2	HANDLE,UPPER & GRIP ASSY	1
10	5140281-04/8	WASHER .	2
11	5137679-03/0	WING KNOB	4
12	5148510-00/0	BOLT NIBBED	2
13	5127278-02/5	HANDLE,LOWER	1
14	5127231-02/4	GRASSBAG TOP & FRAME	1
15	5117182-01/3	GRASSBAG	1
16	5149000-00/1	LABEL WARNING	1
17	5146485-00/7	LABEL WARNING	1
18	5148568-00/8	SPRING GUIDE	1
19	5137845-00/3	SPRING RETURN	2
20	5106353-68/2	SAFETY FLAP	1
21	5148505-00/0	BOLT COACH	2
22	5137731-00/5	SPRING COUNTERBALANCE	1
23	5148551-00/4	BUSH INSULATOR	6
24	5106350-04/3	DECK 42CM	1
25	5127136-00/9	WHEEL	2
26	5137810-00/7	INDEX PLATE	2
27	5148825-00/2	PUSH-ON-FIX	1
28	5137801-00/6	CLIP AXLE	1
29	5126867-00/0	QUADRANT	1
30	5146736-00/3	SCREW	1
31	5126880-00/3	ROLLER	2
32	5140281-01/4	WASHER	1
33	5137709-00/1	AXLE ROLLER	1
34	5137802-00/4	MOUNT AXLE	1
35	5126918-01/9	HUB CAP-REAR	2
36	5149108-00/2	PUSH ON FIX	2
37	5148526-00/6	CIRCLIP	2
38	5126919-00/9	WHEEL ASSY REAR	1
39	5148519-01/9	SCREW	4
40	5137730-00/7	CLAMP BRIDGE	2
41	5126927-04/4	AXLE ASSEMBLY	1
42	5126874-01/4	KNOB,ADJUSTER	1
43	5148508-00/4	BOLT	3
44	5127229-00/2	DRIVE HUB	1
45	5148552-01/0	SCREW	4
46	5127236-00/7	AXLE FABRICATION	1
47	5148506-00/8	CLEVIS PIN	2
48	5148832-00/8	LINK	1
49	5148524-00/1	WASHER STARLOCK	2
50	5127158-01/1	HUB CAP,FRONT	2
51	5117785-00/5	FAN	1
52	5127032-00/0	BLADE SPACER	1
53	5117183-00/3	BLADE 42CM	1
54	5146677-09/0	BLADE BOLT	1
55	5148598-00/5	DISC SPRING	1

PRODUCT APPLICATION

9644281-51 GB.

WHERE NO APPLICATION DETAILS ARE SHOWN, PART APPLIES TO ALL COUNTRIES

A Austria; AUS Australia; B Belgium; CND Canada; CH Switzerland; D Germany; DK Denmark; E Spain; EI Eire; F France; GB Great Britain; I Italy; N Norway; NL Netherlands; NZ New Zealand; O/S Overseas; P Portugal; S Sweden; SF Finland; USA America; ZA South Africa