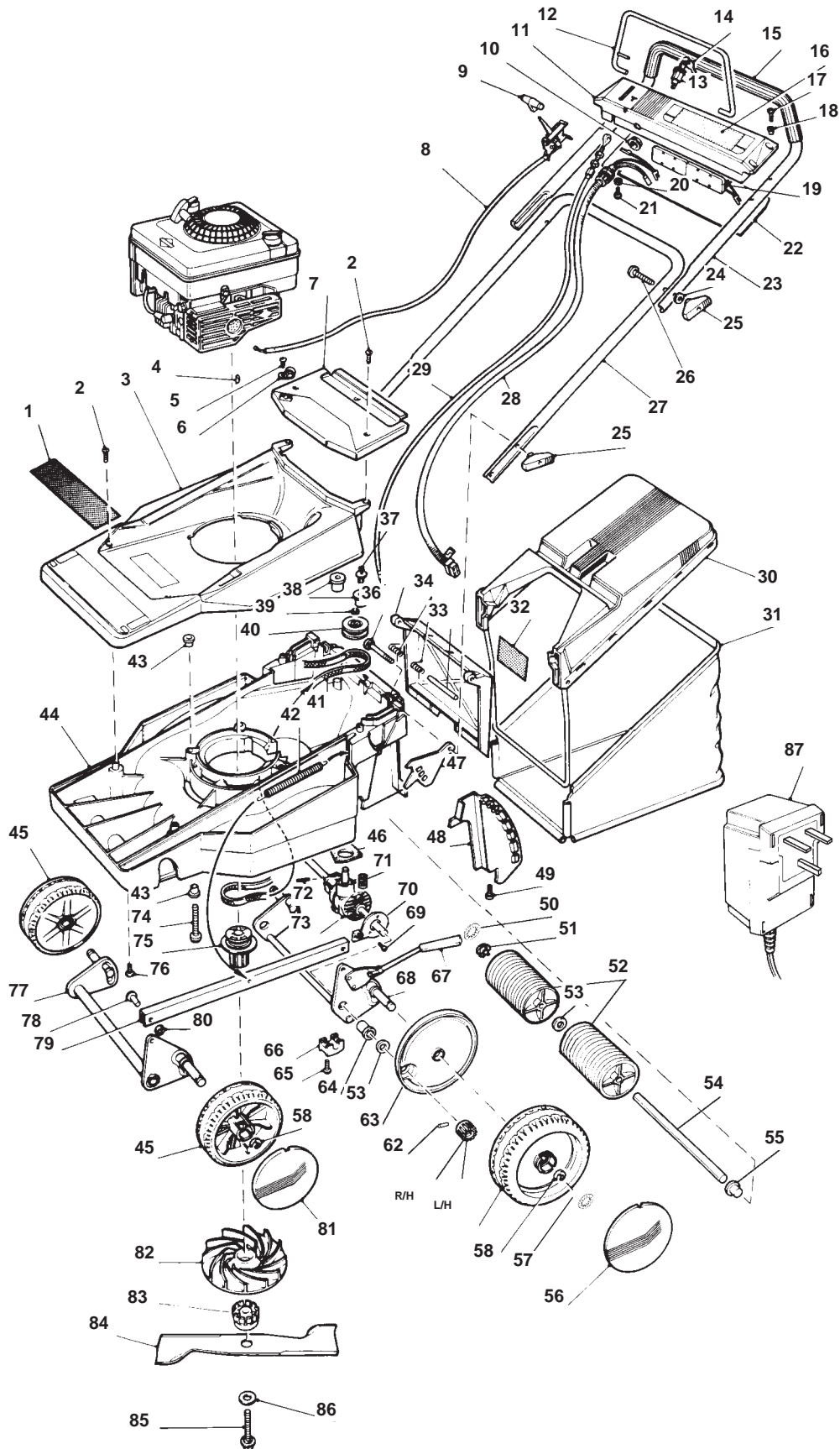


MODEL	RL420PE-3
PRODUCT NO.	9644283



MODEL	RL420PE-3
PRODUCT NO.	9644283



KEY	PART NUMBER	DESCRIPTION	QTY	KEY	PART NUMBER	DESCRIPTION	QTY
01	5137880-01/8	LABEL	1	58	5148526-00/6	CIRCLIP	4
02	5146824-00/7	SCREW	5	59	5126920-00/7	DRIVE WHEEL ASSY	1
03	5117200-02/1	COWL BASE	1	60	5138050-00/9	DRIVE SPROCKET,L/H	1
04	5140053-00/9	KEY	1	61	5138050-01/7	DRIVE SPROCKET,R/H	1
05	5146941-00/9	SCREW	1	62	5148831-00/0	PAWL	2
06	5148709-00/8	P CLIP	1	63	5126884-00/5	BACK PLATE	2
07	5106357-01/4	ACCESS PANEL	1	64	5148485-00/5	AXLE BUSH	2
08	5127021-04/5	THROTTLE CONTROL	1	65	5148519-01/9	SCREW	4
09	5148667-01/6	KNOB	1	66	5137730-00/7	BRIDGE CLAMP	2
10	5148705-00/6	LOCKNUT	1	67	5126874-01/4	KNOB,ADJUSTER	1
11	5148679-00/3	CONSOLE	1	68	5126927-05/1	AXLE ASSEMBLY	1
12	5117340-00/9	GRAB RAIL	1	69	5147114-00/2	SCREW	2
13	5137860-00/2	KEY SWITCH	1	70	5137701-01/6	ACTUATING PLATE	1
14	5137860-01/0	KEY,IGNITION (x2)	1	71	5137733-00/1	CLUTCH SPRING	1
15	5138004-00/6	HANDLE GRIP	1	72	5148478-00/0	RATCHET PIN	1
16	5137879-01/0	LABEL,ELECTROSTART	1	73	5127179-00/9	GEARBOX	1
17	5141599-00/0	SCREW	4	74	5148508-00/4	BOLT	3
18	5148664-00/5	BUSH	4	75	5127229-00/2	DRIVE HUB	1
19	5138049-00/1	BATTERY	1	76	5148552-01/0	SCREW	1
20	5148768-00/4	WASHER	3	77	5127236-00/7	AXLE FABRICATION	1
21	5146824-00/7	SCREW	3	78	5148506-00/8	CLEVIS PIN	2
22	5106423-00/6	COVER	1	79	5148832-00/8	LINK	1
23	5127157-13/8	HANDLE,UPPER & GRIP ASSY	1	80	5148524-00/1	WASHER,STARLOCK	2
24	5140281-04/8	WASHER	2	81	5127158-01/1	HUB CAP,FRONT	2
25	5137679-03/0	WING KNOB	4	82	5117785-00/5	FAN	1
26	5148510-00/0	BOLT,NIBBED	2	83	5127032-00/0	BLADE SPACER	1
27	5127278-02/5	HANDLE,LOWER	1	84	5117183-00/3	BLADE 42CM	1
28	5127127-01/6	LOOM	1	85	5146677-09/0	BLADE BOLT	1
29	5137892-01/3	CLUTCH CABLE	1	86	5148598-00/5	DISC SPRING	1
30	5127231-02/4	GRASSBAG TOP & FRAME	1	87	5148943-00/3	BATTERY CHARGER,240V	1
31	5117182-01/3	GRASSBAG	1				
32	5146485-00/7	LABEL,WARNING	1				
33	5148568-00/8	SPRING GUIDE	1				
34	5137845-00/3	SPRING RETURN	2				
35	5106353-68/2	SAFETY FLAP	1				
36	5148505-00/0	COACH BOLT	2				
37	5148528-00/2	PLASTIC RIVET	2				
38	5148509-00/2	GUIDE BUSH	4				
39	5148526-00/6	CIRCLIP	1				
40	5137891-00/7	PULLEY	1				
41	5126882-00/9	DRIVE BELT	1				
42	5137731-00/5	SPRING,COUNTERBALANCE	1				
43	5148551-00/4	BUSH INSULATOR	6				
44	5106350-04/3	DECK 42CM	1				
45	5127136-00/9	WHEEL	2				
46	5137798-00/4	FOAM SEAL	1				
47	5137810-00/7	INDEX PLATE	2				
48	5126867-00/0	QUADRANT	1				
49	5146736-00/3	SCREW	1				
50	5148825-00/2	PUSH-ON-FIX	1				
51	5137801-00/6	AXLE CLIP	1				
52	5126880-00/3	ROLLER	2				
53	5140281-01/4	WASHER	5				
54	5137709-00/1	AXLE,ROLLER	1				
55	5137802-00/4	AXLE MOUNT	1				
56	5126918-01/9	HUB CAP,REAR	2				
57	5149108-00/2	PUSH-ON-FIX	4				

PRODUCT APPLICATION
9644283-51 GB.

WHERE NO APPLICATION DETAILS ARE SHOWN, PART APPLIES TO ALL COUNTRIES

A Austria; AUS Australia; B Belgium; CND Canada; CH Switzerland; D Germany; DK Denmark; E Spain; EI Eire; F France;
 GB Great Britain; I Italy; N Norway; NL Netherlands; NZ New Zealand; O/S Overseas; P Portugal; S Sweden; SF Finland;
 USA America; ZA South Africa