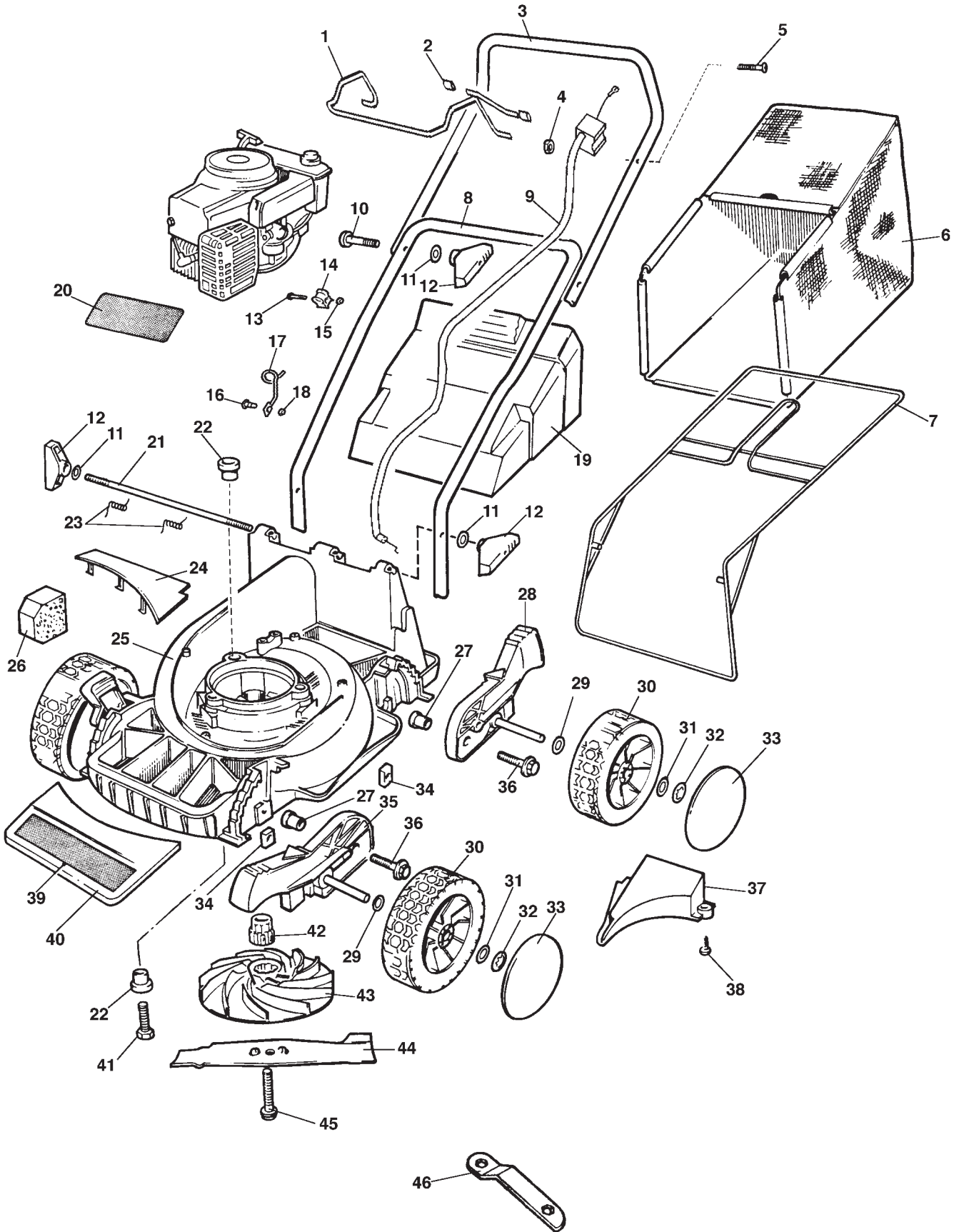


MODEL	RL400	PRODUCT APPLICATION
PRODUCT NO.	9644053	9644053-59 GB,A,B,D,E,F,NL



<b>MODEL</b>	<b>RL400</b>	<b>PRODUCT APPLICATION</b> 9644053-59 GB,A,B,D,E,F,NL
<b>PRODUCT NO.</b>	<b>9644053</b>	



**KEY PART NUMBER QTY**

01	5117995-00/0	1	LEVER
02	5146476-00/6	1	KNOB
03	5126939-20/5	1	HANDLE,UPPER
04	5148637-00/1	2	NUT
05	5148636-02/9	2	BOLT
06	5106482-00/2	1	GRASSBAG
07	5149030-00/8	1	FRAME
08	5127303-01/3	1	HANDLE LOWER
09	5138254-03/1	1	BRAKE CABLE
10	5149198-01/1	2	BOLT, HANDLE
11	5140266-00/7	4	WASHER
12	5137679-00/6	4	WING KNOB
13	5149372-00/4	1	BOLT
14	5138297-00/6	1	UPPER GUIDE-PULL CORD
15	5149373-00/2	1	NUT-WING
16	5148636-02/9	2	BOLT
17	5138296-00/8	1	LOWER GUIDE-PULLCORD
18	5148637-00/1	2	NUT
19	5106508-64/0	1	SAFETY FLAP
20	5138258-00/8	1	LABEL: WARNING
21	5138079-00/8	1	TIE BAR
22	5148551-00/4	6	BUSH INSULATOR
23	5149046-00/4	2	SPRING
24	5117668-06/0	1	COVER, REAR
25	5106509-06/9	1	DECK
26	5127306-00/8	1	BALLAST WEIGHT
27	5148977-00/1	4	BUSH
28	5117563-00/6	2	HEIGHT ADJ. LEVER L/H REAR,R/H FRONT
29	5149037-00/3	4	WAVE WASHER
30	5127516-00/2	4	WHEEL
31	5140980-00/3	4	WASHER
32	5149040-00/7	4	STARLOCK FASTENER
33	5127526-00/1	4	HUB CAP
34	5148919-00/3	4	NUT
35	5117563-01/4	2	HEIGHT ADJ. LEVER R/H REAR, L/H FRONT
36	5148976-00/3	4	BOLT
37	5117453-01/8	1	COLLECTOR PLATE
38	5149088-00/6	2	SCREW
39	5137970-00/9	1	LABEL-FLYMO
40	5117669-06/8	1	COVER, FORWARD
41	5149167-00/8	3	BOLT
42	5117594-00/1	1	INSERT
43	5117785-00/5	1	IMPELLER
44	5116692-02/0	1	BLADE
45	5146677-05/8	1	BOLT, BLADE
46	5130109-00/1	1	SPANNER