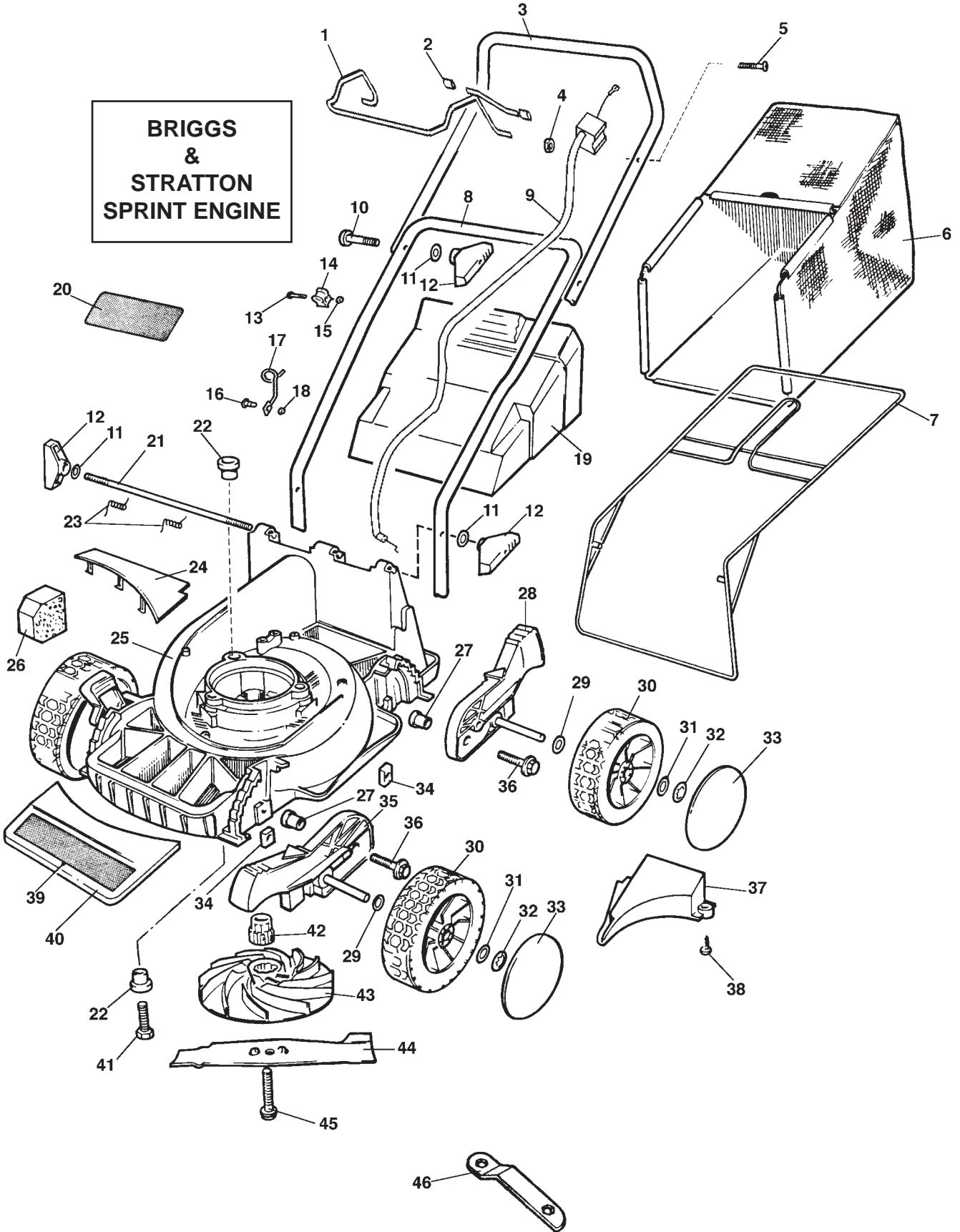


MODEL	RL400	PRODUCT APPLICATION
PRODUCT NO.	9644052	9644052-50 EAST EUROPE 9644052-59 GB, EI, F, B, NL, A, D, CH, E, P, I, N, DK, S, SF. 9644052-76 GB, EI.





MODEL	RL400	PRODUCT APPLICATION
PRODUCT NO.	9644052	9644052-50 EAST EUROPE 9644052-59 GB,EI,F,B,NL,A,D,CH,E,P,I,N,DK,S,SF. 9644052-76 GB,EI.



KEY	PART NUMBER	DESCRIPTION	QTY
01	5117995-00/0	LEVER, BRAKE	1
02	5146476-00/6	KNOB	2
03	5126939-20/5	HANDLE UPPER	1
04	5148637-00/1	NUT	1
05	5148636-01/1	BOLT	1
06	5106767-00/6	GRASS BAG	1
07	5149030-00/8	FRAME,BAG ASSY	1
08	5127303-01/3	HANDLE, LOWER	1
09	5138254-02/3	CABLE, BRAKE	1
10	5149198-01/1	BOLT	2
11	5140266-00/7	WASHER	4
12	5137679-00/6	WING KNOB	4
13	5149372-00/4	BOLT	1
14	5138297-00/6	GUIDE,UPPER, - PULL CORD	1
15	5149373-00/2	NUT	1
16	5148636-02/9	BOLT-PAN HEAD	1
17	5138296-00/8	GUIDE,LOWER, - PULL CORD	1
18	5148637-00/1	NUT	1
19	5106508-64/0	FLAP, SAFETY	1
20	5138258-01/6	LABEL,WARNING	1
	5138258-01/6	LABEL WARNING	1
21	5138079-00/8	TIE BAR	1
22	5148551-00/4	BUSH, INSULATOR	6
23	5149046-00/4	SPRING	2
24	5117668-06/0	COVER,REAR	1
25	5106509-06/9	DECK	1
26	5127306-00/8	BALLAST WEIGHT	1
27	5148977-00/1	BUSH,LEVER	4
28	5117563-00/6	HEIGHT ADJ. LEVER L/H REAR, R/H FRONT	2
29	5149037-00/3	WASHER	4
30	5127516-00/2	WHEEL	4
31	5149545-00/5	WASHER	4
32	5149031-00/6	WASHER	4
33	5127526-00/1	HUB CAP	4
34	5148919-00/3	NUT,LEVER	4
35	5117563-01/4	HEIGHT ADJ. LEVER R/H REAR, L/H FRONT	2
36	5148976-00/3	BOLT,LEVER	4
37	5117453-01/8	COLLECTOR PLATE	1
38	5149088-00/6	SCREW	2
39	5149284-00/1	LABEL,FLYMO	1
40	5117669-06/8	COVER,FORWARD	1
41	5149167-00/8	BOLT	3
42	5117594-00/1	INSERT	1
43	5117785-01/3	FAN	1
44	5116692-02/0	BLADE	1
45	5146677-05/8	BOLT, BLADE	1
46	5130109-00/1	SPANNER	1

GB,EI,F,B,NL,A,D,CH,E,P,I,N,DK,S,SF.
EAST EUROPE.