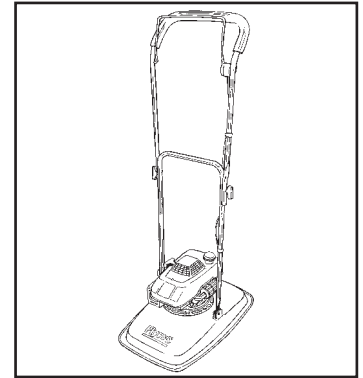
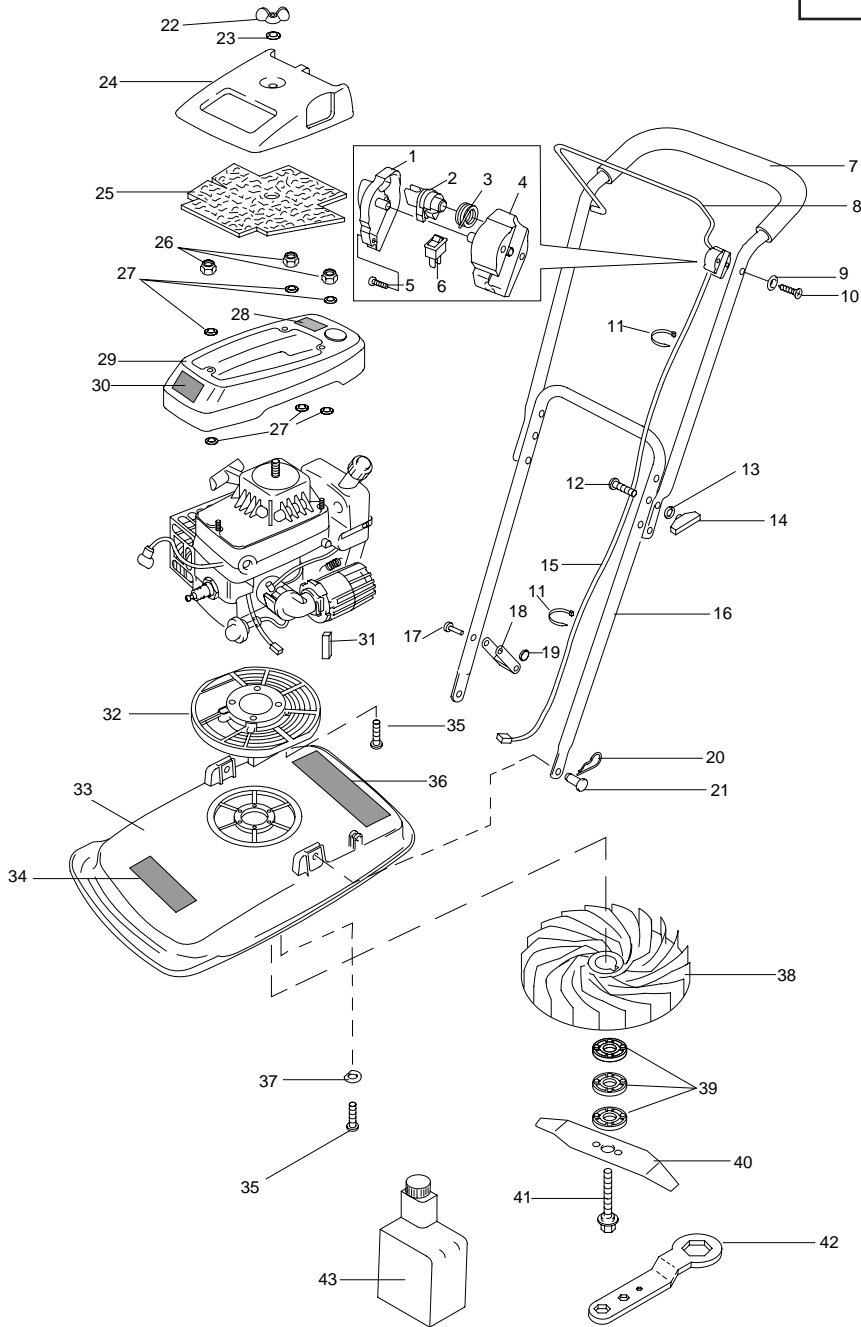


| | |
|-------------|---------|
| MODEL | L400 |
| PRODUCT NO. | 9634043 |



PARTS LIST



PRODUCT APPLICATION
 9634043-59 GB,EI,F,B,NL,A,D,
 CH,E,P,I,N,DK,S,SF

| Key | Part Number | Description | Qty | Key | Part Number | Description | Qty |
|-----|--------------|-----------------|-----|-----|--------------|--------------------------|-----|
| 01 | 5127408-00/2 | COVER | 1 | 22 | 5149259-00/3 | NUT,WING | 1 |
| 02 | 5138255-00/4 | ACTUATOR | 1 | 23 | 5146338-00/8 | WASHER | 1 |
| 03 | 5149240-00/3 | SPRING | 1 | 24 | 5106763-00/5 | DEBRIS GUARD | 1 |
| 04 | 5127407-00/4 | HOUSING | 1 | 25 | 5127604-00/6 | FILTER | 1 |
| 05 | 5146672-00/0 | SCREW | 3 | 26 | 5149241-00/1 | NUT | 3 |
| 06 | 5149222-00/1 | SWITCH | 1 | 27 | 5140266-00/7 | WASHER | 6 |
| 07 | 5117812-05/6 | HANDLE, UPPER | 1 | 28 | 5149607-00/3 | LABEL | 1 |
| 08 | 5117849-01/7 | BAIL ARM | 1 | 29 | 5106625-01/4 | COWL | 1 |
| 09 | 5149313-00/8 | WASHER | 1 | 30 | 5138342-00/0 | LABEL | 1 |
| 10 | 5149282-00/5 | SCREW | 1 | 31 | 5149443-00/3 | KEY | 1 |
| 11 | 5147150-00/6 | TIE WRAP | 5 | 32 | 5106660-00/3 | ADAPTOR | 1 |
| 12 | 5149198-01/1 | BOLT | 2 | 33 | 5106205-16/3 | HOOD | 1 |
| 13 | 5140266-00/7 | WASHER | 2 | 34 | 5149265-00/0 | LABEL-FLYMO | 1 |
| 14 | 5137679-00/6 | WING KNOB | 2 | 35 | 5141585-01/7 | SCREW | 10 |
| 15 | 5149175-00/1 | CABLE | 1 | 36 | 5138258-01/6 | LABEL:WARNING | 1 |
| 16 | 5126696-08/6 | HANDLE,LOWER | 1 | 37 | 5149313-00/8 | WASHER | 6 |
| 17 | 5148506-02/4 | CLEVIS PIN | 1 | 38 | 5118000-06/5 | IMPELLER/INSERT | 1 |
| 18 | 5117851-00/5 | UP-STOP LATCH | 1 | 39 | 5138340-00/4 | BLADE SPACER | 1 |
| 19 | 5149344-00/3 | WASHER,STARLOCK | 1 | 40 | 5118026-00/3 | BLADE | 1 |
| 20 | 5140423-00/4 | PIN,RETAINING | 2 | 41 | 5149553-00/9 | BLADE BOLT | 1 |
| 21 | 5140092-03/1 | PIN,PIVOT | 2 | 42 | 5130109-00/1 | SPANNER | 1 |
| | | | | 43 | 5117838-00/2 | PETROL/OIL MIXING BOTTLE | 1 |