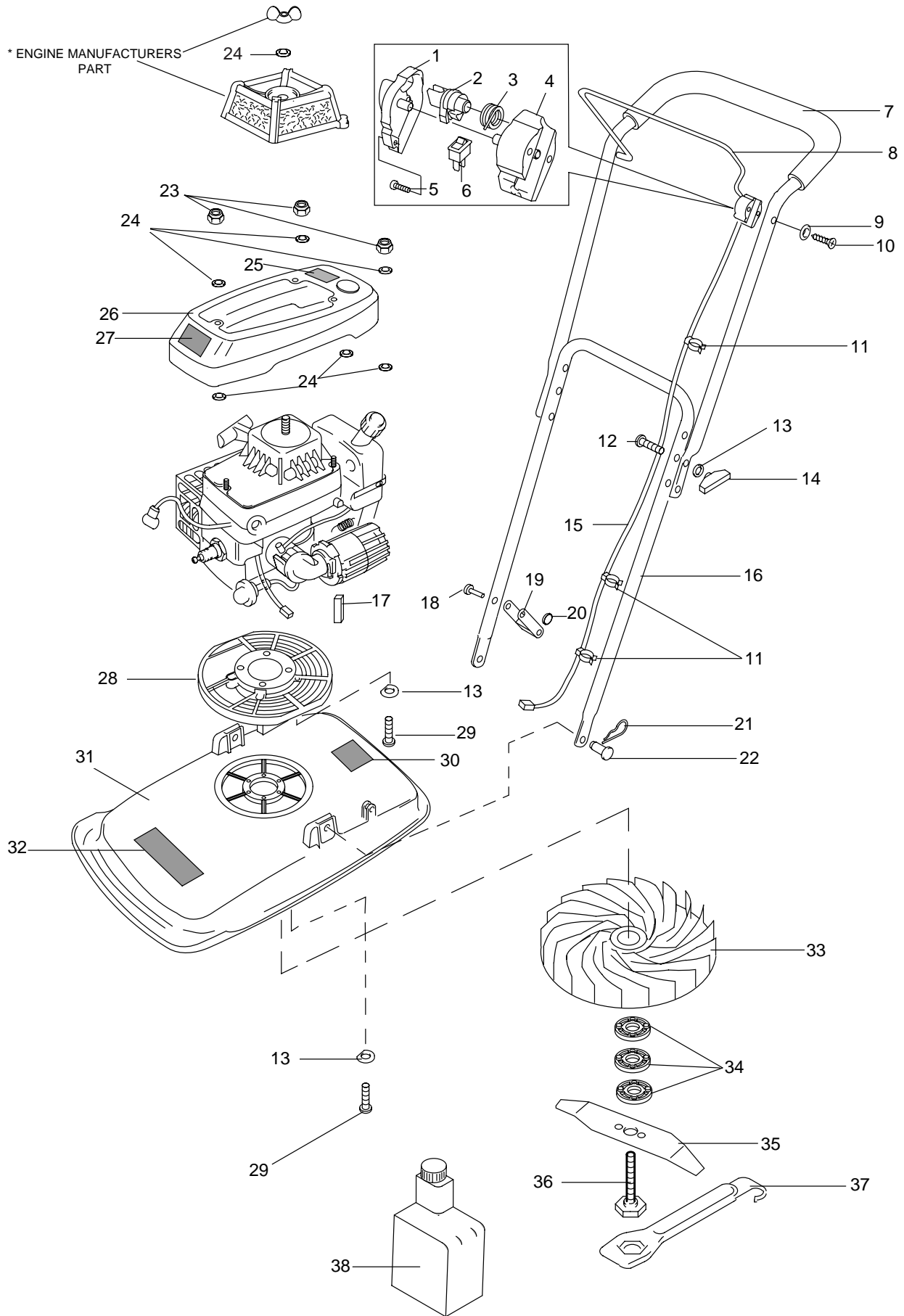


MODEL	L400	PRODUCT APPLICATION
PRODUCT NO.	9634042	9634042-59 GB,F,D,NL,P,E,I,N,S,DK,SF,A,CH





<b>MODEL</b>	<b>L400</b>	<b>PRODUCT APPLICATION</b>
<b>PRODUCT NO.</b>	<b>9634042</b>	<b>9634042-59 GB,F,D,NL,P,E,I,N,S,DK,SF,A,CH</b>



**KEY PART NUMBER QTY**

01	5127408-00/2	1	SWITCH
02	5138255-00/4	1	ACTUATOR HUB
03	5149240-00/3	1	SPRING
04	5127407-00/4	1	HOUSING
05	5146672-00/0	3	SCREW
06	5149222-00/1	1	SWITCH
07	5117812-05/6	1	HANDLE UPPER
08	5117849-01/7	1	LEVER
09	5146338-00/8	1	WASHER
10	5149282-00/5	1	SCREW
11	5137750-00/5	3	CLIP CABLE
12	5148672-00/8	2	BOLT,HANDLE
13	5140266-00/7	10	WASHER
14	5137679-00/6	2	WING KNOB
15	5149175-00/1	1	CABLE
16	5126696-08/6	1	LOWER HANDLE
17	5149443-00/3	1	KEY
18	5148506-02/4	1	CLEVIS PIN
19	5117851-00/5	1	UP-STOP LATCH
20	5149344-00/3	1	WASHER
21	5140423-00/4	2	PIN RETAINING
22	5140092-03/1	2	PIVOT PIN
23	5149241-00/1	3	NUT
24	5149313-00/8	7	WASHER
25	5149172-00/8	1	LABEL
26	5106625-01/4	1	COWL
27	5138342-00/0	1	LABEL
28	5106660-00/3	1	ADAPTOR PLATE
29	5141585-01/7	10	SCREW
30	5138258-01/6	1	LABEL:WARNING
31	5106205-16/3	1	HOOD
32	5149265-00/0	1	LABEL
33	5118000-01/6	1	IMPELLER
34	5138340-00/4	3	BLADE SPACER
35	5118026-00/3	1	BLADE
36	5137608-02/1	1	BLADE BOLT
37	5126682-00/3	1	SPANNER/SCRAPER
38	5117838-00/2	1	PETROL/OIL MIXING BOTTLE