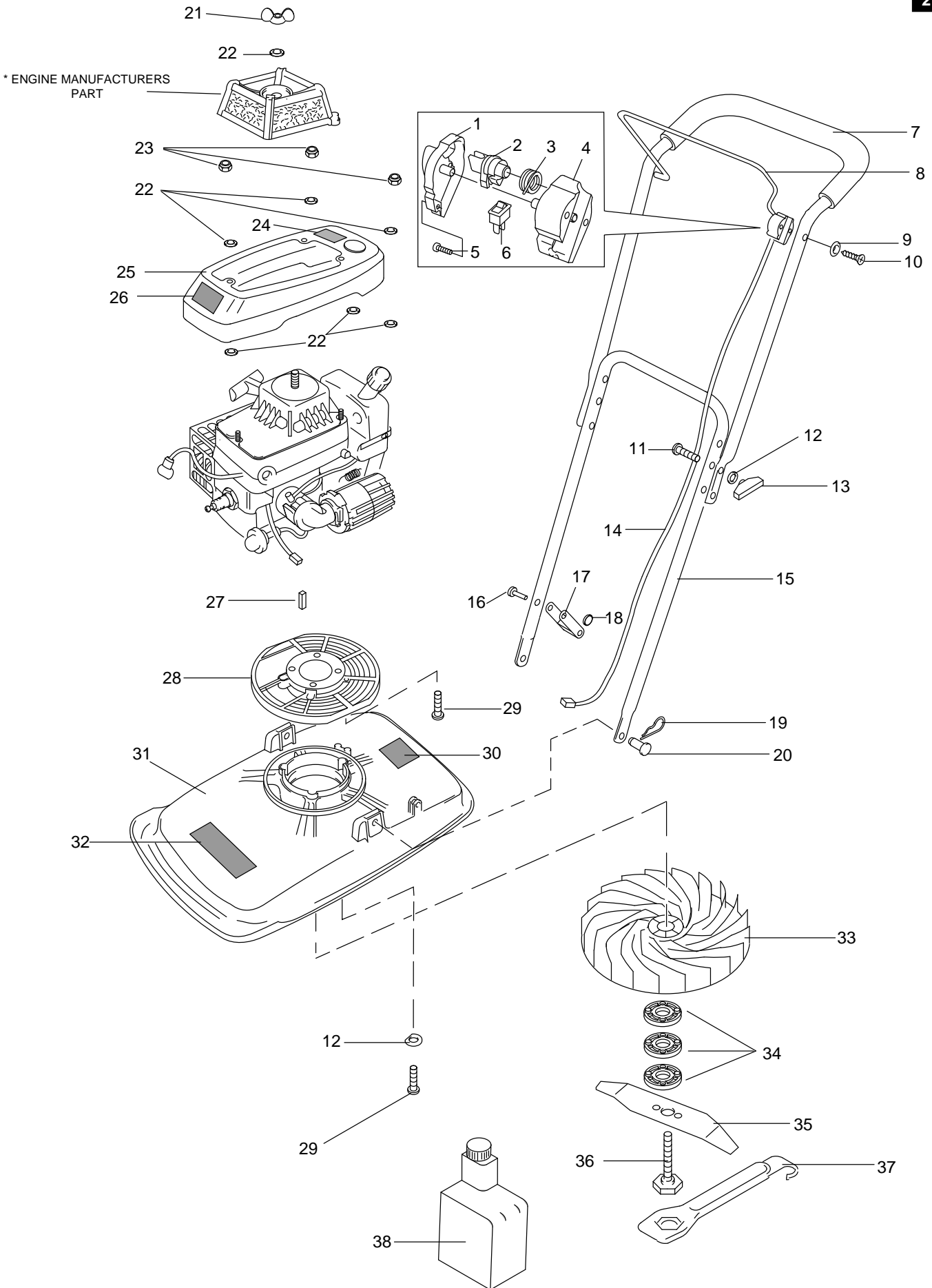


<b>MODEL</b>	<b>L300</b>	<b>PRODUCT APPLICATION</b>	
<b>PRODUCT NO.</b>	<b>9630136</b>	9630136-59 GB,EI,F,B,NL,A,D,CH,E,P,I,N,DK,S,SF.	



MODEL	L300	PRODUCT APPLICATION	
PRODUCT NO.	9630136	9630136-59 GB,EI,F,B,NL,A,D,CH,E,P,I,N,DK,S,SF.	



KEY	PART NUMBER	QTY	
01	5127408-00/2	1	COVER
02	5138255-00/4	1	ACTUATOR HUB
03	5149240-00/3	1	SPRING
04	5127407-00/4	1	HOUSING
05	5146672-00/0	3	SCREW
06	5149222-00/1	1	SWITCH
07	5117812-00/7	1	HANDLE,UPPER
08	5117866-01/1	1	LEVER
09	5146338-00/8	1	WASHER
10	5149282-00/5	1	SCREW
11	5149198-01/1	2	BOLT
12	5140266-00/7	5	WASHER
13	5137679-00/6	2	WING KNOB
14	5149175-00/1	1	CABLE
15	5117813-01/3	1	HANDLE LOWER
16	5148506-02/4	1	CLEVIS PIN
17	5117851-00/5	1	UP-STOP LATCH
18	5149344-00/3	1	WASHER
19	5140423-00/4	2	PIN RETAINING
20	5140092-03/1	2	PIVOT PIN
21	5149259-00/3	1	NUT, WING
22	5149313-00/8	7	WASHER
23	5149241-00/1	3	NUT
24	5149172-00/8	1	LABEL
25	5106625-01/4	1	COWL
26	5138234-00/9	1	LABEL
27	5149443-00/3	1	KEY
28	5106586-00/0	1	ADAPTOR PLATE
29	5141585-01/7	7	SCREW
30	5138258-01/6	1	LABEL,WARNING
31	5106204-03/4	1	HOOD
32	5149265-00/0	1	LABEL
33	5118000-01/6	1	IMPELLER
34	5138340-00/4	3	BLADE SPACER
35	5127367-00/0	1	BLADE
36	5137608-02/1	1	BOLT,BLADE
37	5126682-00/3	1	SPANNER
38	5117838-00/2	1	PETROL/OIL MIXING BOTTLE