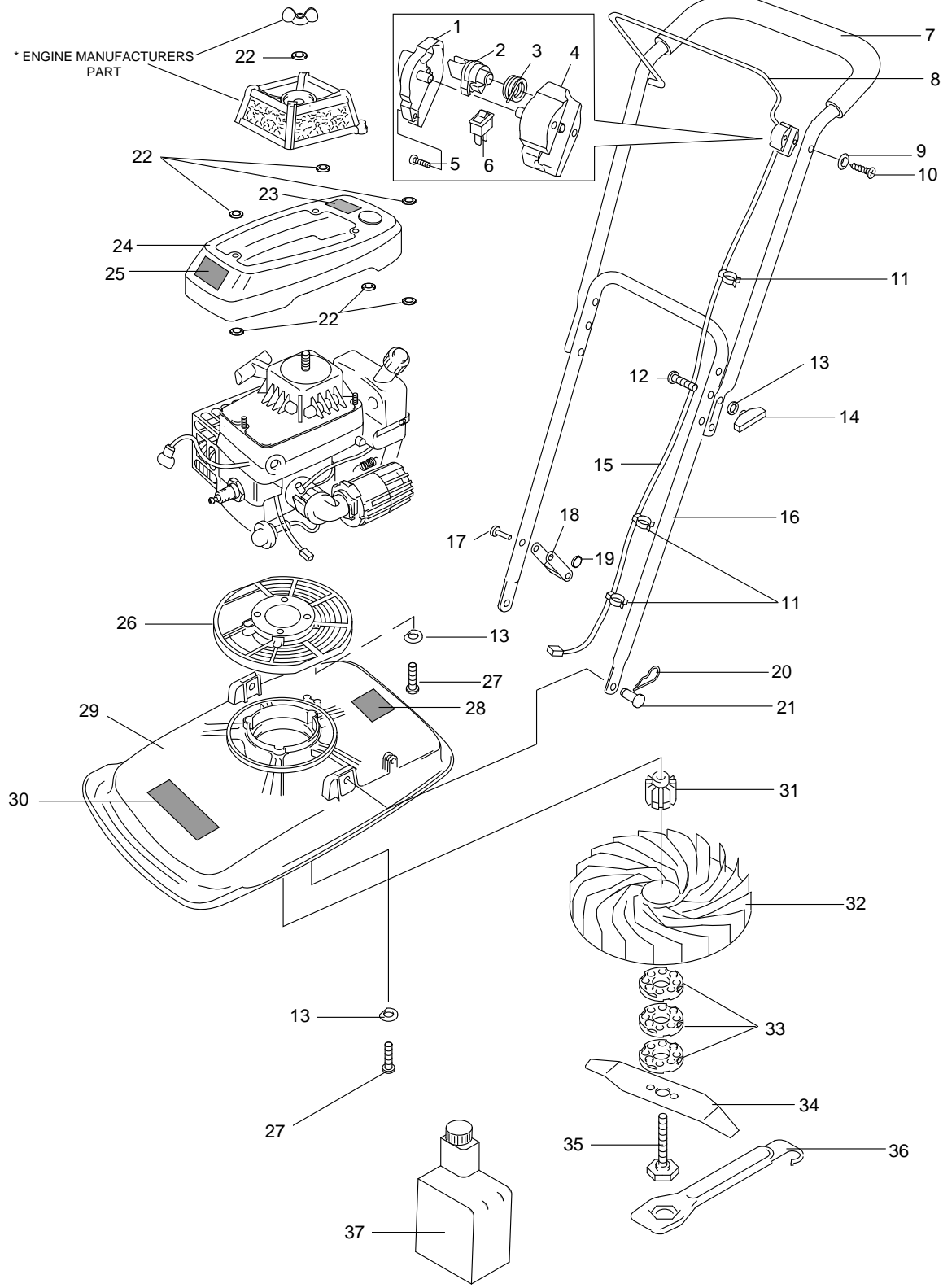


MODEL	Domestic L300
PRODUCT NO.	9630134, 9630135



Flymo

MODEL	Domestic L300
PRODUCT NO.	9630134, 9630135



KEY	PART NUMBER	DESCRIPTION	QTY
01	5127408-00/2	COVER, SWITCH	1
02	5138255-00/4	ACTUATOR HUB	1
03	5149240-00/3	SPRING, TORSION	1
04	5127407-00/4	HOUSING, SWITCH	1
05	5146672-00/0	SCREW	3
06	5149222-00/1	SWITCH	1
07	5117812-00/7	HANDLE, UPPER	1
08	5117866-01/1	BAIL ARM L300	1
09	5146338-00/8	WASHER	1
10	5149282-00/5	SCREW	1
11	5137750-00/5	CLIP CABLE	3
12	5148672-00/8	BOLT, HANDLE	2
13	5140266-00/7	WASHER	9
14	5137679-00/6	WING KNOB	2
15	5149175-00/1	CABLE ASSY	1
16	5117813-01/3	HANDLE LOWER	1
17	5148506-02/4	CLEVIS PIN	1
18	5117851-00/5	UP-STOP LATCH	1
19	5146682-00/9	WASHER, STARLOCK	1
20	5140423-00/4	PIN RETAINING	2
21	5140092-03/1	PIVOT PIN	2
22	5149313-00/8	WASHER	7
23	5149172-00/8	LABEL, FUEL/OIL	1
24	5106625-01/4	ENGINE COWL	1
25	5138234-00/9	LABEL: MODEL	1
26	5106586-00/0	ADAPTER PLATE	1
27	5141585-01/7	SCREW	7
28	5138258-00/8	LABEL: WARNING	1
29	5106204-03/4	HOOD 30 CM	1
30	5149265-00/0	LABEL-FLYMO	1
31	5126764-00/9	INSERT, IMPELLER	1
32	5116197-03/8	IMPELLER	1
33	5138110-01/9	BLADE SPACER PEGGED	3
34	5127367-00/0	BLADE L300	1
35	5137608-00/5	BLADE BOLT C/W PTFE WASHER	1
36	5126682-00/3	SPANNER/SCRAPER	1
37	5117838-00/2	PETROL/OIL MIXING BOTTLE	1

PRODUCT APPLICATION

9630134-59 GB, EI, F, B, NL, A, D, CH, E, P, I, N, DK, S, SF.

9630135-59 GB, EI, F, B, NL, A, D, CH, E, P, I, N, DK, S, SF.

WHERE NO APPLICATION DETAILS ARE SHOWN, PART APPLIES TO ALL COUNTRIES

A Austria; AUS Australia; B Belgium; CND Canada; CH Switzerland; D Germany; DK Denmark; E Spain; EI Eire; F France; GB Great Britain; I Italy; N Norway; NL Netherlands; NZ New Zealand; O/S Overseas; P Portugal; S Sweden; SF Finland; USA America; ZA South Africa