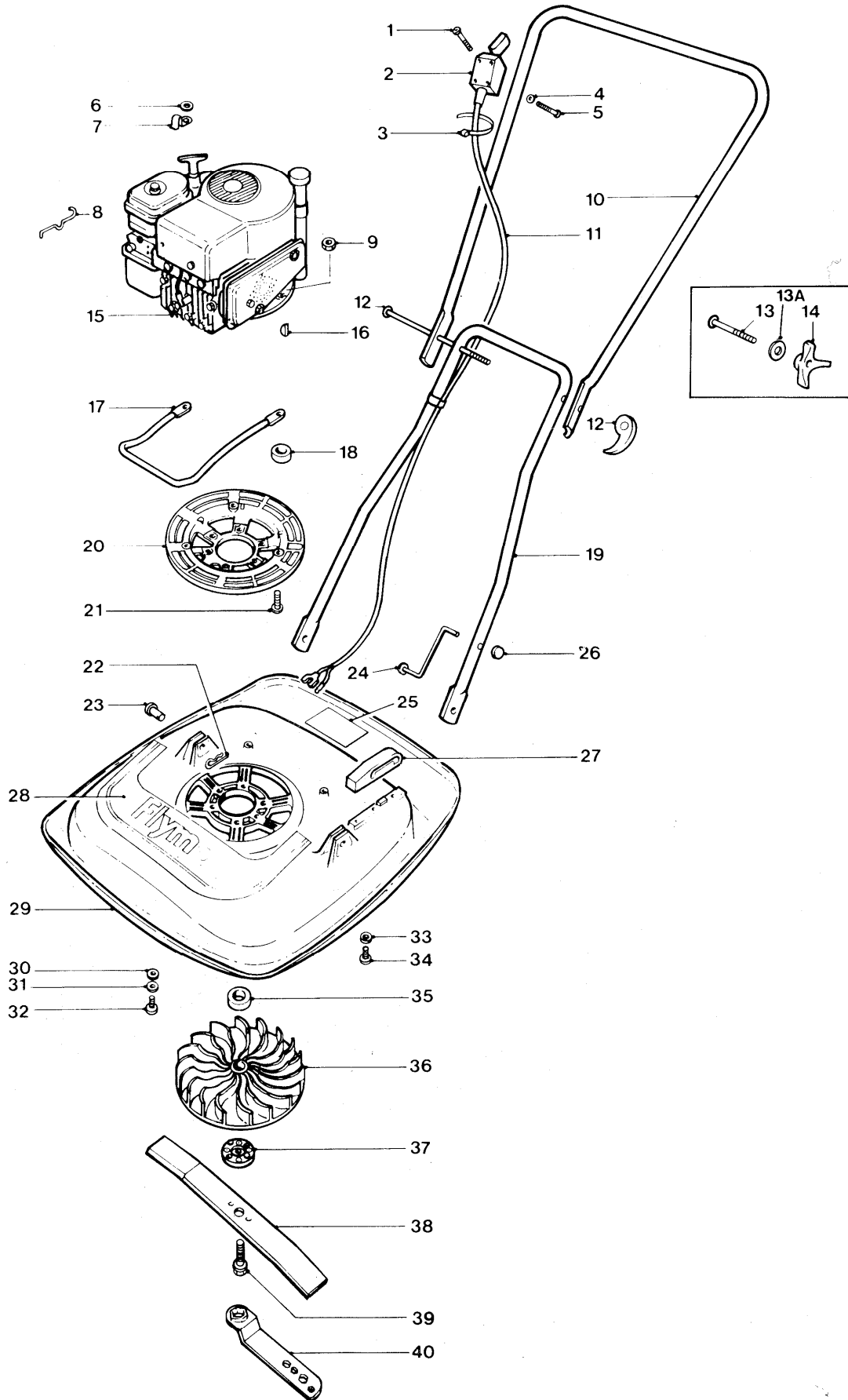




GT-4 9631038



Flymo

GT-4 9631038

KEY No.	PART No.	QUANTITY	DESCRIPTION	COMMENTS	KEY No.	PART No.	QUANTITY	DESCRIPTION	COMMENTS
1	5140508-00/2	4	SCREW		31	5147524-00/2	6	WASHER SPRING	
2	5140500-00/9	1	SWITCH		32	5141585-02/5	6	SCREW 1/4-20 UNC x 22 LG	
3	5147150-00/6	3	TIE WRAP		33	5140943-00/1	3	WASHER	
4	5146338-00/8	1	WASHER NETTLE FOLD		34	5146824-00/7	3	SCREW	ALT. USE 5147665-00/4
5	5146731-00/4	1	SCREW		35	5147636-00/4	1	DISTANCE SPACER	
7	5147080-00/5	1	CLIP		44	5116507-02/0	1	IMPELLER	NLA USE 5116507-00/4 *
8	5146578-00/9	1	WIRE THROTTLE		37	5130302-00/2	1	BLADE SPACER	NLA USE 5140001-00/8 *
9	5140837-00/5	3	NUT NYLOC 5/16 UNC		38	5120313-01/9	1	BLADE 47CM	NLA USE 5126434-04/1 *
10	5116506-00/6	1	HANDLE UPPER		39	5146677-01/7	1	BOLT BLADE 61.5MM LONG	
11	5140510-02/4	1	CABLE		40	5130109-00/1	1	SPANNER	
12	5136320-01/6	1	FOLDING MECHANISM	NLA USE 5140690-00/8 5140607-00/2					
13	5140607-00/2	2	BOLT HANDLE 1/4 UNC x 45 LG						
13A	5140266-00/7	2	WASHER						
14	5140690-00/8	2	KNOB WING						
15	5140380-00/6	1	CAP SUPPRESSOR						
16	5140053-00/9	1	KEY						
17	5126293-03/3	1	HANDLE CARRYING						
18	5147636-00/4	3	DISTANCE SPACER						
19	5116442-00/4	1	HANDLE LOWER						
20	5106087-02/7	1	PLATE ADAPTOR						
21	5140045-05/4	3	SCREW 5/16 UNC						
22	5140423-00/4	2	PIN RETAINING						
23	5140092-00/7	2	PIN LOCKING						
24	5136432-01/9	1	HOOK						
25	5146485-00/7	1	LABEL WARNING	GB.					
26	5146682-00/9	1	STARLOCK WASHER						
27	5126287-02/7	1	GUIDE SLOTTED						
28	5116121-00/4	1	LABEL FLYMO						
29	5106206-03/9	1	HOOD 47CM						
30	5146309-00/9	6	WASHER						

* SEE SERVICE BULLETIN NO. 11 DATED 19.9.83.