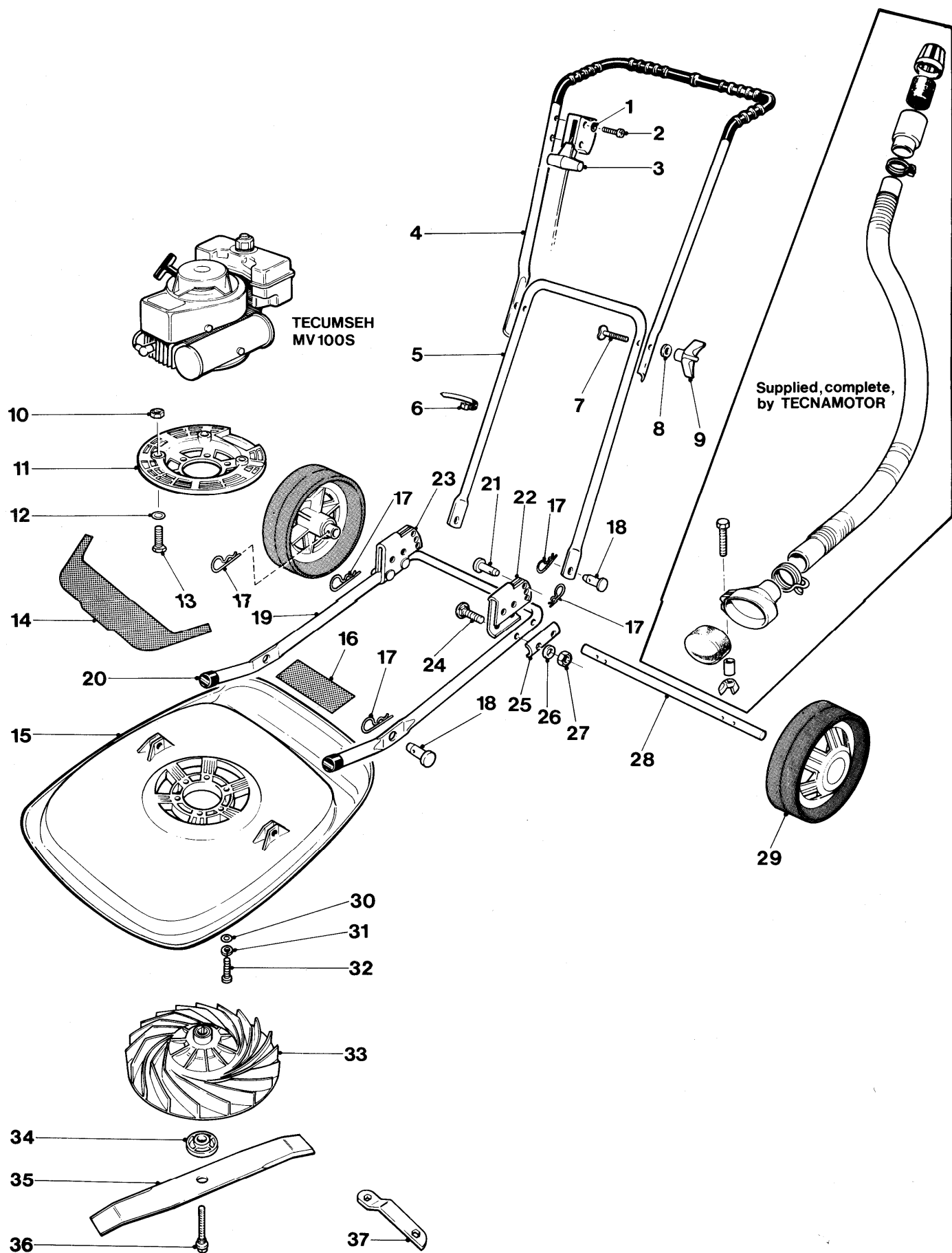


**Flymo**

**CONTRACTOR L50 9630450**




**CONTRACTOR L50 9630450**

KEY No.	PART No	DESCRIPTION	QUANTITY	COMMENTS APPLICATION
01	5140943-00/01	WASHER	2	
02	5146045-04/1	SCREW 10 x 38 LG POZI PAN	2	
03	5126830-00/8	THROTTLE CONTROL COMPLETE	1	
04	5116120-12/1	HANDLE UPPER C/W GRIP	1	
05	5126696-05/2	HANDLE LOWER	1	
06	5147150-00/6	TIE WRAP	1	
07	5140607-00/2	BOLT HANDLE ¼ UNCX45LG	2	
08	5140266-00/7	WASHER	2	
09	5140690-00/8	KNOB WING WHITE	2	
10	5140837-00/5	NUT NYLOC 5/16UNC	3	
11	5106086-02/7	PLATE ADAPTOR	1	
12	5140281-04/8	WASHER	3	
13	5140045-03/9	SCREW	3	
14	5117140-00/3	LABEL: CONTRACTOR	1	
15	5106206-10/4	HOOD 47CM LESS UPSTOP	1	ALT USE 5147924-11/1
16	5146485-00/7	LABEL WARNING	1	GB
17	5140423-00/4	PIN RETAINING	10	
18	5140092-00/7	PIN LOCKING WHITE	4	
19	5126691-01/2	FRAME UNDERCARRIAGE	1	
20	5148232-00/1	CAP 19MM END PROTECTION	2	
21	5148241-00/2	CLEVIS PIN	2	
22	5126751-01/4	BRACKET L/H UNDERCARRIAGE	1	
23	5126752-01/2	BRACKET R/H UNDERCARRIAGE	1	
24	5146685-00/2	BOLT HANDLE ¼UNC x 35LG	4	ALT USE 5146685-01/0
25	5148233-01/7	CLAMP UNDERCARRIAGE BRKT	2	
26	5140264-00/2	WASHER I/D6.7XO/D1.4	4	
27	5140164-00/4	NUT LOCKING	4	
28	5126689-01/6	SHAFT UNDERCARRIAGE	1	
29	5126690-00/6	WHEEL 250MM DIA	2	
30	5146309-00/9	WASHER	6	
31	5147524-00/2	WASHER SPRING	6	
32	5141585-01/7	SCREW ¼"-20UNC x 25MM LG	6	
33	5116968-00/8	IMPELLER	1	
34	5140001-00/8	BLADE SPACER	1	
35	5116817-03/1	BLADE 50.5CM	1	
36	5146677-04/1	BOLT BLADE 75MM LONG	1	
37	5130109-00/1	SPANNER	1	

WHERE NO APPLICATION DETAILS ARE SHOWN, PART APPLIES TO ALL COUNTRIES.

PRODUCT VARIANT 9630450-51 GB