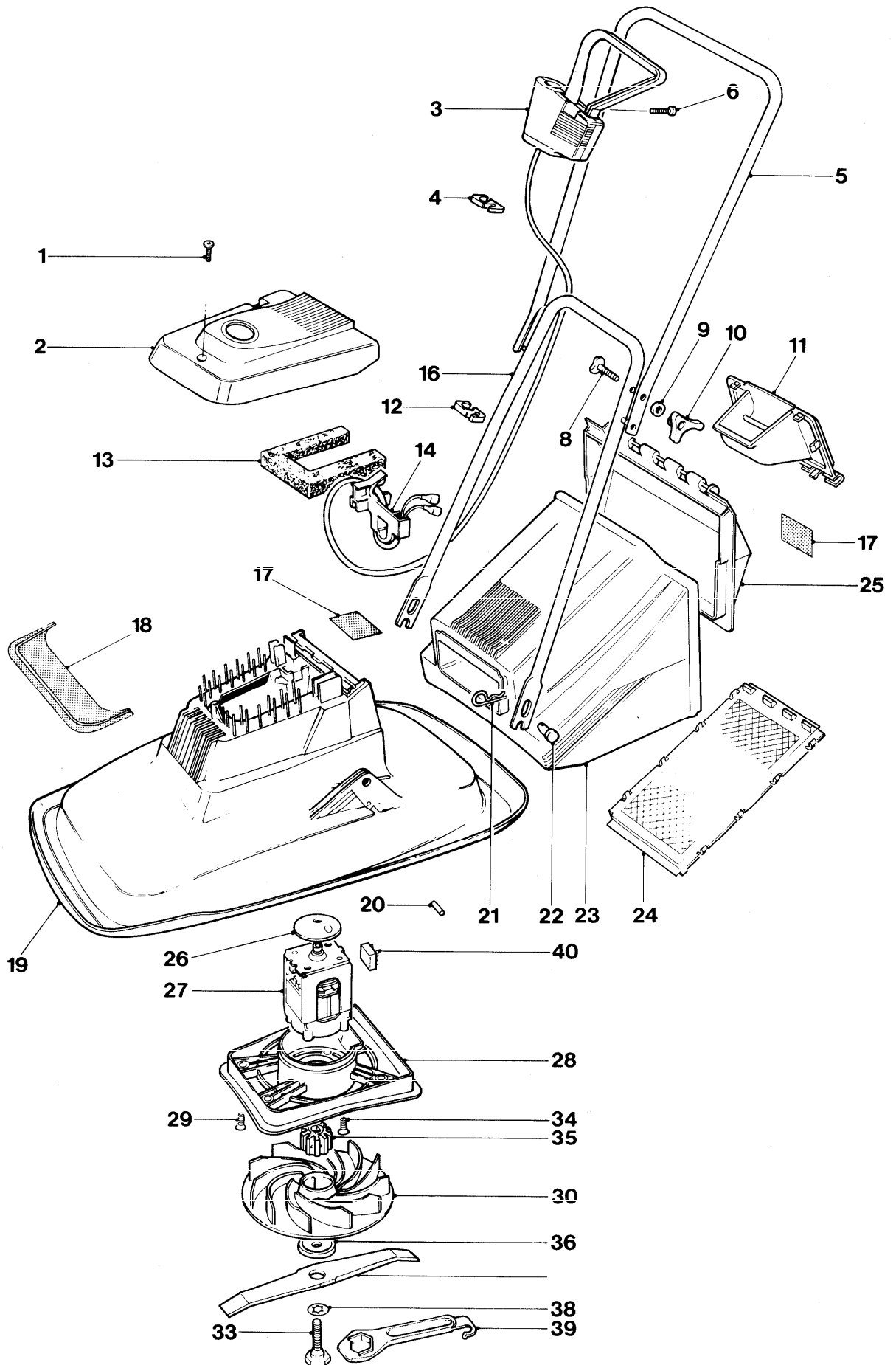




**SPRINTMASTER XE30-11 TWIN** 9633021  
9633022





# SPRINTMASTER XE30-11 TWIN

9633021  
9633022

KEY No.	PART No	DESCRIPTION	QUANTITY	COMMENTS APPLICATION	KEY No.	PART No	DESCRIPTION	QUANTITY	COMMENTS APPLICATION
1	5146736-00/3	SCREW HIGH/LOW	1		38	5148259-00/4	WASHER ANTI-FRICTION PTFE	1	
2	5126821-01/5	COVER ASSY	1	GB.EI. O/S	39	5126682-00/3	SPANNER/SCRAPER ABS	1	
	5126821-03/1	COVER ASSY	1	F.B.N.L.A.	40	322814-00/5	RECTIFIER	1	
3	5126891-01/8	SWITCHBOX ASSY	1	GB.EI.E.P.O/S					
	5126901-01/5	SWITCHBOX (EUROPE)	1	F.B.N.L.A.N.DK.I.					
4	5140482-00/0	CABLE CLIP SMALL	1						
5	5126816-02/3	HANDLE/LABEL ASSY	1	GB.EI.					
	5126242-03/0	HANDLE UPPER PLASTIC COATED	1						
6	5146672-00/0	SCREW GKN POLYMATE	2						
8	5140607-00/2	BOLT HANDLE ¼ UNCx45LG	2						
9	5140266-00/7	WASHER	2						
10	5140690-00/8	KNOB WING WHITE	2						
11	5106278-02/0	GRASSBOX COVER	1	NOT SUPPLIED SEPERATELY					
12	5140863-01/9	CABLE CLIP LARGE	1						
13	5137638-00/2	FILTER	1						
14	5126741-00/7	CLAMP PLASTIC	1						
16	5117082-00/7	HANDLE LOWER	1						
17	5146467-00/5	LABEL WARNING ELECTRIC	2	GB.O/S.E.P.EI.					
	5136708-01/2	LABEL WARNING ELECTRIC	2	F.B.N.L.A.					
18	5126885-00/2	LABEL FLYMO	1						
19	5126819-01/9	HOOD ASSY	1						
20	5147594-00/5	PIN	2						
21	5140423-00/4	PIN RETAINING	2						
22	5140092-00/7	PIVOT PIN	2						
23	5117079-02/9	GRASSBOX ASSY	1						
24	5117078-00/5	SCREEN	1	NOT SUPPLIED SEPERATELY					
25	5106339-02/0	GRASSBOX LID	1	NOT SUPPLIED SEPERATELY					
26	5146469-01/9	WARNING DISC ASSY ORANGE	1						
27	5126820-01/7	MOTOR 240V KS4650/120	1	GB.					
	5126820-02/5	MOTOR 220V KS4650/120	1						
28	5106279-00/2	MOTOR MOUNTING PLATE	1						
29	5146736-00/3	SCREW HIGH/LOW	4						
30	5116967-01/8	IMPELLER	1						
31	5148257-02/4	CUTTER PLASTIC LONG LIFE	2						
32	5126439-00/8	BLADE 30CM	1	GB.EI.					
	5126439-01/6	BLADE 30CM	1	F.B.N.L.A.					
33	5137608-00/5	BLADE BOLT C/W PTFE WASHER	1						
34	5148122-01/2	SCREW PLASTITE 10x19mm LNG	1						
35	5126764-00/9	INSERT IMPELLER	1						
36	5136240-01/6	BLADE SPACER	1						
37	5126734-01/0	DISC ASSY	1						

WHERE NO APPLICATION DETAILS ARE SHOWN, PART APPLIES TO ALL COUNTRIES

#### PRODUCT VARIANT

9633021-25 GB 9633022-72 A.F.B.NL

9633022-18 EI