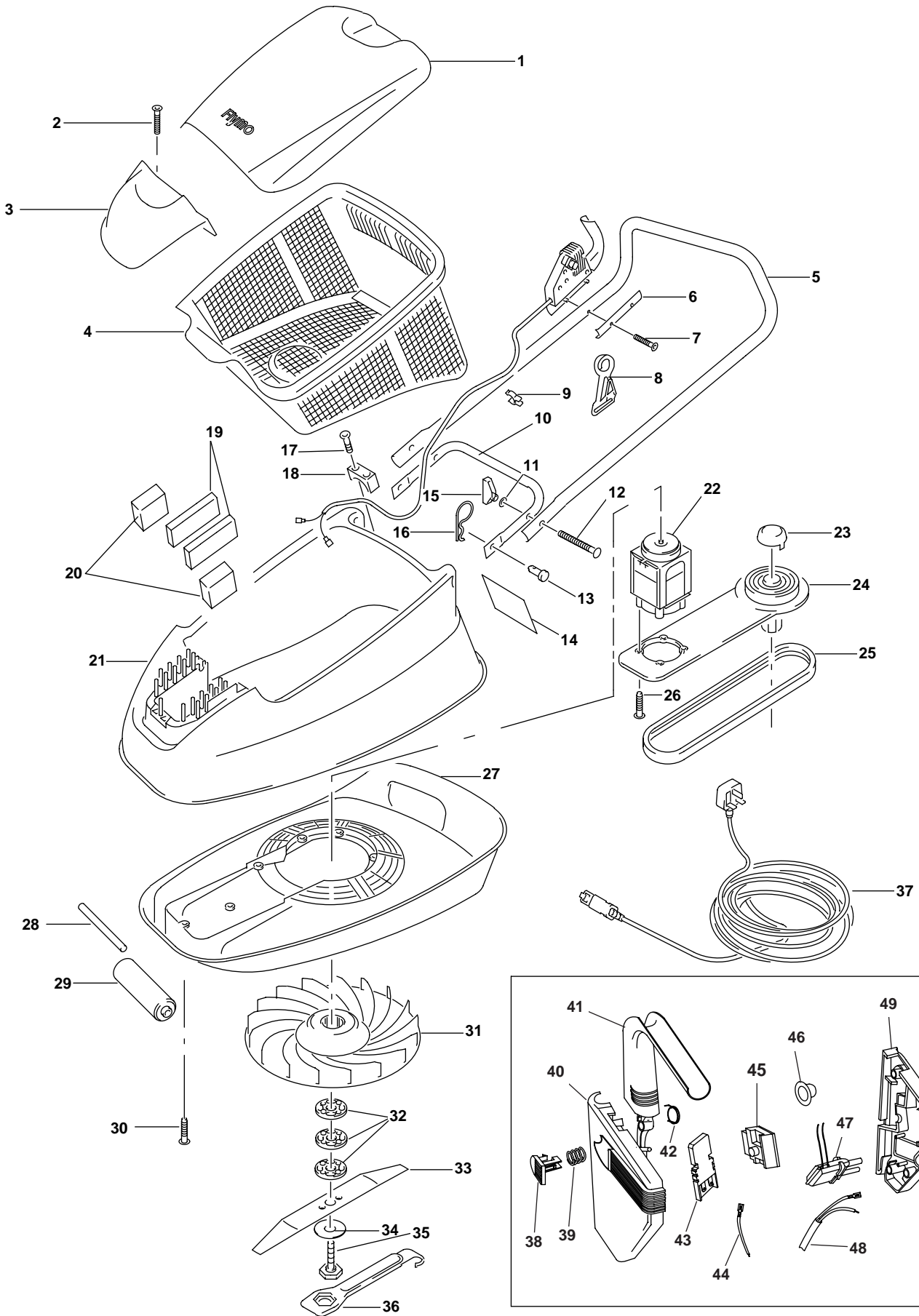


MODEL	Turbo Compact 350
PRODUCT NO.	9633501, 9633502, 9633503



# Flymo

MODEL	Turbo Compact 350
PRODUCT NO.	9633501, 9633502,9633503



KEY PART NUMBER	DESCRIPTION	QTY	KEY PART NUMBER	DESCRIPTION	QTY
01	5127330-00/8 GRASSBOX COVER	1			
02	5149117-00/3 SCREW	2	49	5106538-01/9 SWITCHBOX LOWER	1 GB,EI
03	5106581-00/1 MOTOR COVER	1		5106540-01/5 SWITCHBOX LOWER	1 A,B,D,DK,E,F,I,N,NL,P,S,SF
04	5106580-00/3 GRASSBOX	1	50	5146672-00/0 SCREW	4
05	5127354-00/8 HANDLE UPPER ASSY	1 GB,EI			
	5127355-01/3 HANDLE UPPER ASSY	1 A,B,D,DK,E,F,I,N,NL,P,S,SF			
06	5117659-00/2 SWITCHBOX RETAINER	1 GB,EI			
	5117657-00/6 SWITCHBOX RETAINER	1 A,B,D,DK,E,F,I,N,NL,P,S,SF			
07	5146672-00/0 SCREW	2			
08	5138024-00/4 CORD GUIDE	1 A,B,D,DK,E,F,I,N,NL,P,S,SF			
09	5137811-00/5 CLIP CABLE	1			
10	5127353-00/0 HANDLE LOWER	1			
11	5140266-00/7 WASHER	2			
12	5149198-01/1 BOLT	2			
13	5140092-03/1 PIVOT PIN	2			
14	5138346-00/1 LABEL,WARNING	1			
15	5137679-00/6 WING KNOB	2			
16	5140423-00/4 PIN RETAINING	2			
17	5149117-00/3 SCREW	2			
18	5126827-01/2 CABLE CLAMP	1			
19	5149144-01/5 FILTER	2			
20	5149281-00/7 FILTER	2			
21	5117796-00/2 CASING PRINTED	1 GB,EI			
	5117796-01/0 CASING PRINTED	1 A,B,D,DK,E,F,I,N,NL,P,S,SF			
22	5150010-01/4 MOTOR 240V	1 GB,EI		<b>Use on Product No: 9633501 ONLY</b>	
	5150010-02/2 MOTOR 220V	1		<b>Use on Product No: 9633502 ONLY</b>	
	A,B,D,DK,E,F,I,N,NL,P,S,SF				
	5150035-00/3 MOTOR 240V	1 GB,EI			
	5150036-00/1 MOTOR 220V	1 A,B,D,DK,E,F,I,N,NL,P,S,SF			
23	5138206-00/7 DUST COVER	1			
24	5138302-00/4 BASEPLATE/PULLY ASSY	1			
25	5127333-00/2 BELT	1			
26	5148696-03/1 SELF TAPPING SCREW	4			
27	5106579-00/5 HOOD 35CM	1			
28	5149138-00/9 AXLE	1			
29	5136017-00/0 ROLLER FRONT	1			
30	5149197-01/3 SCREW	8			
31	5117227-03/2 IMPELLER	1			
32	5138110-01/9 BLADE SPACER PEGGED	3			
33	5127334-00/0 BLADE 35CM	1			
34	5148259-00/4 WASHER PTFE	1			
35	5137608-00/5 BLADE BOLT ASSY	1			
36	5126682-00/3 SPANNER/SCRAPER	1			
37	5127250-03/2 MAINS LEAD	1 GB,EI			
38	5127008-00/0 LOCK OFF	1			
39	5148658-00/7 SPRING-LOCK OFF	1			
40	5106539-00/9 SWITCHBOX UPPER	1			
41	5106587-00/8 LEVER	1			
42	5148657-00/9 SPRING-TORSION	1			
43	5127255-00/7 THERMAL CUT-OUT	1			
44	5148773-00/4 LEAD-INTERNAL	1			
45	5137786-00/9 SWITCH	1			
46	5149024-00/1 CUT-OUT COVER	1			
47	5137686-00/1 PIN RETAINER	1 GB,EI			
	5148784-00/1 PIN RETAINER	1 A,B,D,DK,E,F,I,N,NL,P,S,SF			
48	5148814-26/1 LEAD	1 GB,EI			
	5148814-25/3 LEAD	1 A,B,D,DK,E,F,I,N,NL,P,S,SF			

## PRODUCT APPLICATION

**9633501-01 GB,EI**

**9633502-86 A,B,D,DK,E,F,I,N,NL,P,S,SF**

**9633503-01 GB,EI**

**9633503-86 A,B,D,DK,E,F,I,N,NL,P,S,SF**

WHERE NO APPLICATION DETAILS ARE SHOWN, PART APPLIES TO ALL COUNTRIES

A Austria; AUS Australia; B Belgium; CND Canada; CH Switzerland; D Germany; DK Denmark; E Spain; EI Eire; F France; GB Great Britain; I Italy; N Norway; NL Netherlands; NZ New Zealand; O/S Overseas; P Portugal; S Sweden; SF Finland; USA America; ZA South Africa