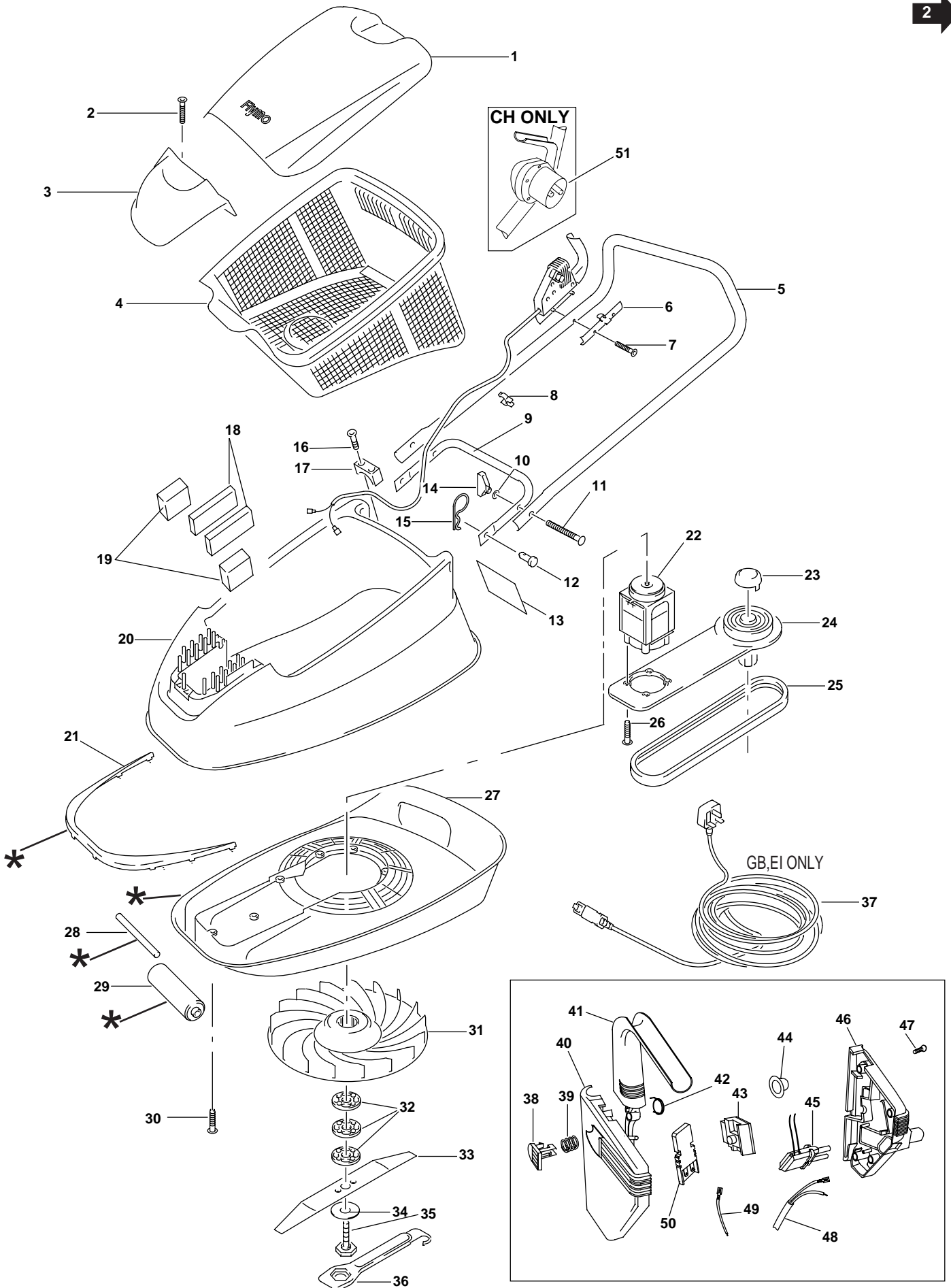


MODEL	Turbo Compact 350	Product Application
PRODUCT NO.	9633504	9633504-01 GB 9633504-67 EASTERN EUROPE
		9633504-22 CH 9633504-86 A,B,D,DK,E,F,I,N,NL,P,S,SF
		9633504-40 AR 9633504-96 ZA
		9633504-41 SA 9633504-99 AUS,NZ



MODEL	Turbo Compact 350	Product Application		
		9633504-01 GB	9633504-67	EASTERN EUROPE
		9633504-22 CH	9633504-86	A,B,D,DK,E,F,I,N,NL,P,S,SF
PRODUCT NO.	9633504	9633504-40 AR	9633504-96	ZA
		9633504-41 SA	9633504-99	AUS,NZ



Key	Part Number	Description	Qty	
01	5127330-00/8	COVER,GRASSBOX	1	
02	5149117-00/3	SCREW	2	
03	5106581-00/1	MOTOR COVER	1	
04	5106580-00/3	GRASSBOX	1	
05	5127354-00/8	HANDLE,UPPER	1	GB,EI
	5127355-02/1	HANDLE,UPPER	1	CH
	5127355-01/3	HANDLE,UPPER	1	A,AR,B,D,DK,E,F,I,N,NL,P,S,SF,SA,ZA,AUS,NZ,EASTERN EUROPE
06	5118110-00/5	RETAINER	1	
07	5146672-00/0	SCREW	2	
08	5137811-00/5	CLIP CABLE	1	
09	5127353-00/0	HANDLE LOWER	1	
10	5140266-00/7	WASHER	2	
11	5149198-01/1	BOLT	2	
12	5140092-03/1	PIN,PIVOT	2	
13	5146467-00/5	LABEL,WARNING	1	GB,EI
	5138346-01/9	LABEL,WARNING	1	A,CH,B,D,DK,E,F,I,N,NL,P,S,SF,SA,ZA,AUS,NZ
	5138346-02/7	LABEL,WARNING	1	AR
	5149628-00/9	LABEL,WARNING	1	EASTERN EUROPE
14	5137679-00/6	WING KNOB	2	
15	5140423-00/4	PIN,RETAINING	2	
	5141424-01/9	PIN,SPLIT	2	AUS/NZ ONLY
16	5149117-00/3	SCREW	2	
17	5126827-01/2	CLAMP,CABLE	1	
18	5149427-00/6	FILTER	2	
19	5149281-00/7	FILTER	2	
20	5117796-01/0	CASING	1	
21	5106764-00/3	COVER	1	* New Part
22	5150035-00/3	MOTOR	1	GB,EI,AUS,NZ,ZA
	5150036-00/1	MOTOR	1	A,AR,B,D,DK,E,F,I,N,NL,P,S,SF,SA,CH,EASTERN EUROPE
23	5138206-00/7	COVER	1	
24	5138302-00/4	BASEPLATE/PULLY ASSY	1	
25	5127333-00/2	BELT	1	
26	5148696-03/1	SCREW	4	
27	5106756-00/9	HOOD	1	* New Part
28	5149611-00/5	AXLE, TUBE	1	* New Part
29	5138497-00/2	ROLLER	1	* New Part
30	5149197-01/3	SCREW	8	
31	5117227-03/2	IMPELLER	1	
32	5138110-01/9	SPACER,BLADE	3	
33	5127334-00/0	BLADE	1	
34	5148259-00/4	WASHER	1	
35	5137608-00/5	BOLT,BLADE	1	
36	5126682-00/3	SPANNER/SCRAPER	1	
37	5127250-03/2	CABLE	1	GB,EI
	5127536-02/6	CABLE	1	AR,AUS,NZ
	5127617-00/8	CABLE	1	ZA
38	5127008-00/0	LOCK OFF	1	
39	5148658-00/7	SPRINGF	1	
40	5106539-00/9	SWITCHBOX,UPPER	1	
41	5106587-00/8	LEVER	1	
42	5148657-00/9	SPRING	1	
43	5137685-00/3	SWITCH	1	
44	5149024-00/1	COVER	1	
45	5138384-00/2	PIN RETAINER	1	GB,EI,AR,AUS,NZ,SA,ZA
	5148784-00/1	PIN RETAINER	1	A,B,D,DK,E,F,I,N,NL,P,S,SF,EASTERN EUROPE
46	5106538-01/9	SWITCHBOX,LOWER	1	GB,EI,AR,AUS,NZ,SA,ZA
	5106540-01/5	SWITCHBOX,LOWER	1	A,B,D,DK,E,F,I,N,NL,P,S,SF,EASTERN EUROPE
47	5146672-00/0	SCREW	4	
48	5148773-00/4	LEAD	1	
49	5148814-26/1	LEAD	1	GB,EI,AR,AUS,NZ,SA,ZA
	5148814-25/3	LEAD	1	A,B,D,DK,E,F,I,N,NL,P,S,SF,EASTERN EUROPE
50	5127255-00/7	CUT-OUT	1	
51	5127538-00/6	SWITCHBOX,SCHULTE	1	CH ONLY