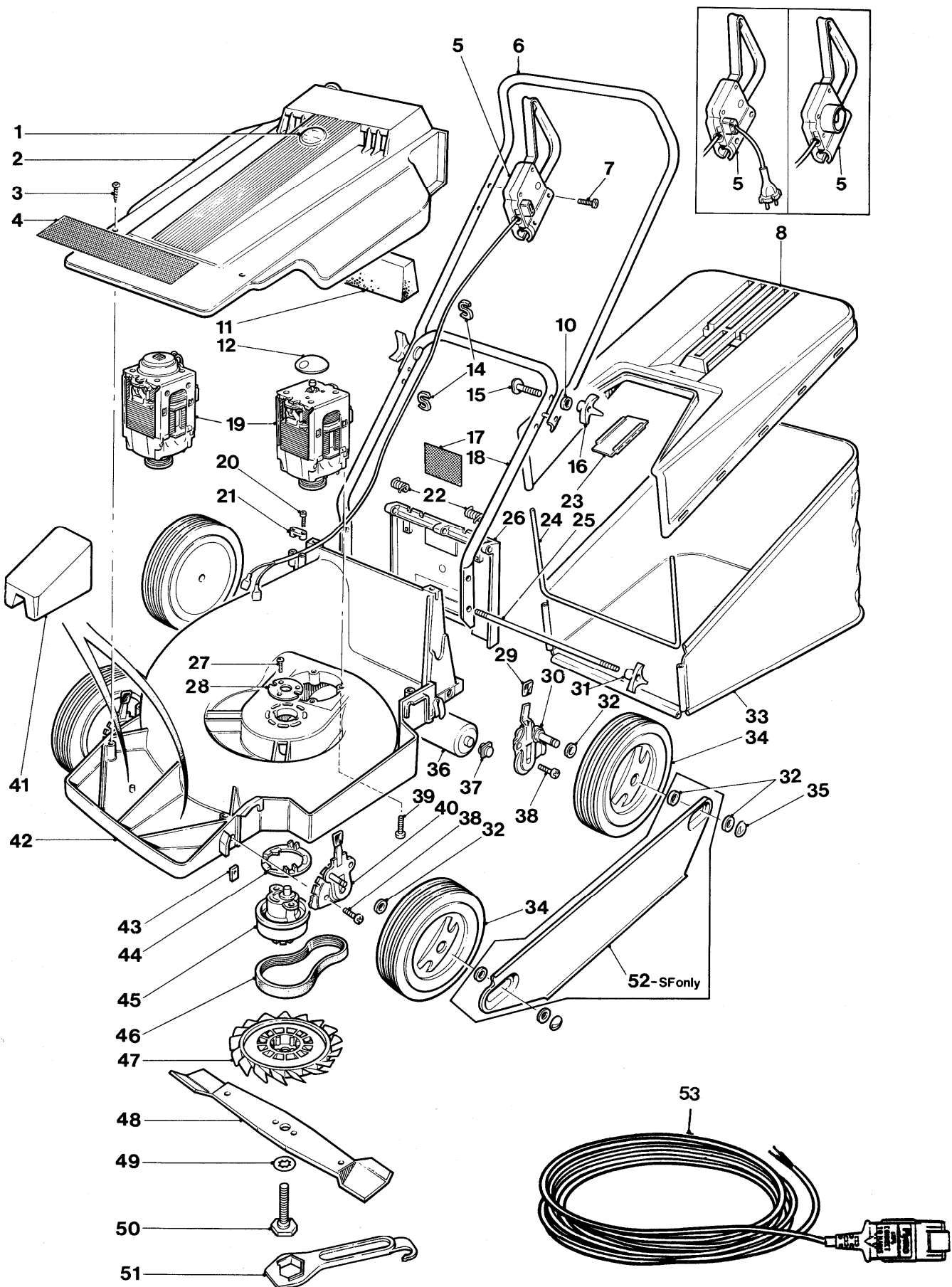


Flymo®

**CHEVRON 350S** 9643506  
**RE35-3** 9643507




**CHEVRON 350S 9643506**  
**RE35-3 9643507**

KEY No.	PART No	DESCRIPTION	QUANTITY	COMMENTS APPLICATION	KEY No.	PART No	DESCRIPTION	QUANTITY	COMMENTS APPLICATION
1	5136605-00/2	LENS	1		38	5141585-00/9	SCREW 1/4"-20UNC x 19mm LNG	4	
2	5116880-00/5	COWLING ASSY C/W LENS	1		39	5148122-01/2	SCREW PLASTITE 10 x 19mm LNG	4	
3	5146824-00/7	SCREW	4		40	5126642-05/2	ADJUSTER N/S FRONT & O/S REAR	2	
4	5137492-00/4	LABEL FLYMO	1		41	5126864-00/7	BALLAST/CONCRETE	2	
5	5126891-02/6	SWITCHBOX ASSY	1	GB.EI.E.	42	5106304-01/6	CHASSIS	1	
	5126901-09/8	SWITCHBOX (EUROPE)	1	A.B.N.DK.	43	5147777-00/6	NUT	4	
6	5126816-07/2	HANDLE/LABEL ASSY	1	GB.EI.E.	44	5126538-01/5	SPRING RETAINER	1	
	5116873-01/8	HANDLE UPPER	1	A.B.N.DK.	45	5137431-00/2	PULLEY ASSEMBLY	1	
7	5146672-00/0	SCREW GKN POLYMATE	2		46	5136701-02/5	BELT "POLY-V" J4	1	
8	5126660-00/9	GRASSBAG FRAME ASSY	1		47	5116876-00/3	FAN	1	
10	5140266-00/7	WASHER	2		48	5126858-00/9	BLADE 35CM	1	
11	5137434-01/4	FILTER	1		49	5148259-00/4	WASHER ANTI-FRICTION PTFE	1	
12	5146469-01/9	WARNING DISC ASSY ORANGE	1		50	5137608-00/5	BLADE BOLT C/W PTFE WASHER	1	
14	5140863-01/9	CABLE CLIP LARGE	2	ALT USE 5137750-00/5	51	5126682-00/3	SPANNER/SCRAPER ABS	1	
15	5140607-00/2	BOLT HANDLE 1/4 UNC x 5LG	2		52	5117035-02/1	SIDEGUARD	2	N.DK.
16	5140690-00/8	KNOB WING WHITE	2		53	5126890-01/0	CABLE EXTENSION	1	
17	5146467-00/5	LABEL WARNING ELECTRIC	1	GB.EI.					
	5146516-00/9	LABEL WARNING ELECTRIC	1	E.					
	5137659-00/8	LABEL WARNING ELECTRIC	1	A.B.					
	5136364-00/6	LABEL WARNING ELECTRIC	1	N.					
	5146466-00/7	LABEL WARNING ELECTRIC	1	DK.					
18	5116874-00/8	HANDLE LOWER	1						
19	5126843-01/9	MOTOR 240 VOLT	1	GB.					
	5126843-02/7	MOTOR 220 VOLT	1						
20	5146941-00/9	SCREW HI-LO	2						
21	5140705-00/4	CABLE CLAMP	1						
22	5136711-00/8	SPRING SAFETY FLAP	2						
23	5137452-00/8	COVER PLATE	1						
24	5137414-00/8	'U' FRAME	1						
25	5137413-00/0	TIE BAR	1						
26	5116875-00/5	FLAP	1						
27	5147114-00/2	SCREW TAPTITE	2						
28	5148105-00/9	RETAINING PLATE	1						
29	5148132-00/3	CAP BLACK	4						
30	5126642-06/4	ADJ N/S REAR & O/S FRONT	2						
31	5140690-00/8	KNOB WING WHITE	2						
32	5140980-00/3	WASHER	8						
33	5106239-00/6	GRASSBAG	1						
34	5126612-01/8	WHEEL ASSEMBLY	4						
35	5148064-00/8	CAP STARLOCK 3/8"	4						
36	5137602-00/8	ROLLER ASSY	1						
37	5137565-00/7	BUSH	2						

WHERE NO APPLICATION DETAILS ARE SHOWN PART APPLIES TO ALL COUNTRIES

**PRODUCT VARIANT**

9643506-25 GB

9643507-72 A.B.

9643507-18 EI.E.

9643507-74 N.DK.