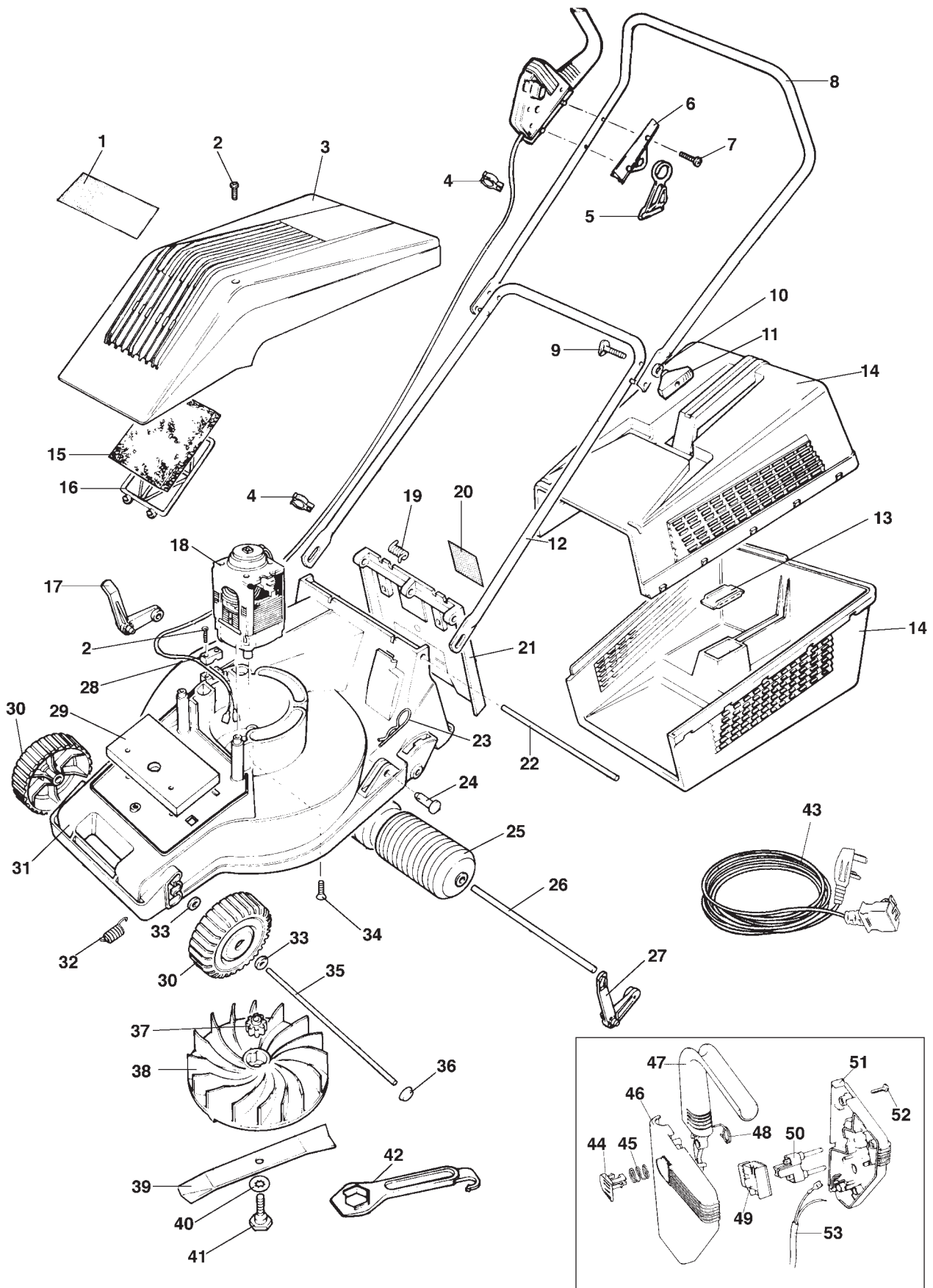


MODEL	<b>Chevron RE300-8</b>	PRODUCT APPLICATION 9643019-01 GB
PRODUCT NO.	<b>9643019</b>	





MODEL	<b>Chevron RE300-8</b>	PRODUCT APPLICATION <b>9643019-01 GB</b>
PRODUCT NO.	<b>9643019</b>	



KEY PARTNUMBER	QTY	DESCRIPTION
01 5127088-01/0	1	LABEL,FLYMO
02 5148122-01/2	4	SCREW
03 5106709-00/8	1	COWLING
04 5137750-00/5	2	CABLE CLIP
05 5138024-00/4	1	CORD GUIDE
06 5117657-01/4	1	RETAINER,SWITCHBOX
07 5146672-00/0	2	SCREW
08 5126816-21/3	1	HANDLE/LABEL ASSY
09 5148672-00/8	2	BOLT,HANDLE
10 5140266-00/7	2	WASHER
11 5137679-00/6	2	WING KNOB
12 5117082-04/9	1	LOWER HANDLE
13 5137452-01/6	1	COVER PLATE
14 5126686-01/2	2	GRASSBOX HALF
15 5137940-00/2	1	FILTER
16 5148771-00/8	1	FILTER RETAINER
17 5117375-01/3	1	LEVER H.O.C.R/H
18 5150009-00/8	1	MOTOR
19 5138396-00/6	1	SPRING
20 5146467-00/5	1	LABEL, WARNING
21 5116875-03/9	1	FLAP
22 5137484-00/1	1	HINGE PIN
23 5140423-00/4	2	PIN, RETAINING
24 5140092-03/1	2	PIVOT PIN
25 5127060-00/1	2	REAR ROLLER
26 5137899-00/0	1	REAR AXLE
27 5117375-00/5	1	LEVER, H.O.C. L/H
28 5136692-01/8	1	CABLE CLAMP
29 5149437-00/5	1	WEIGHT
30 5126674-67/9	2	WHEEL
31 5106451-68/4	1	DECK
32 5148738-00/7	2	SPRING
33 5140281-04/8	4	WASHER
34 5146824-00/7	4	SCREW
35 5137483-00/3	1	AXLE
36 5148175-00/2	2	AXLE CAP
37 5126764-00/9	1	INSERT, IMPELLER
38 5118015-00/6	1	IMPELLER
39 5126676-00/5	1	BLADE
40 5148259-00/4	1	WASHER, ANTI FRICTION
41 5137608-00/5	1	BLADE BOLT
42 5126682-00/3	1	SPANNER/SCRAPER
43 5127250-03/2	1	LEAD
44 5127008-00/0	1	LOCKOFF
45 5148658-00/7	1	SPRING
46 5106539-01/7	1	SWITCHBOX UPPER
47 5106481-01/2	1	LEVER
48 5148657-00/9	1	SPRING
49 5137685-00/3	1	SWITCH
50 5137686-00/1	1	PIN RETAINER
51 5106538-00/1	1	SWITCHBOX LOWER
52 5146672-00/0	4	SCREW
53 5148814-07/1	1	LEAD