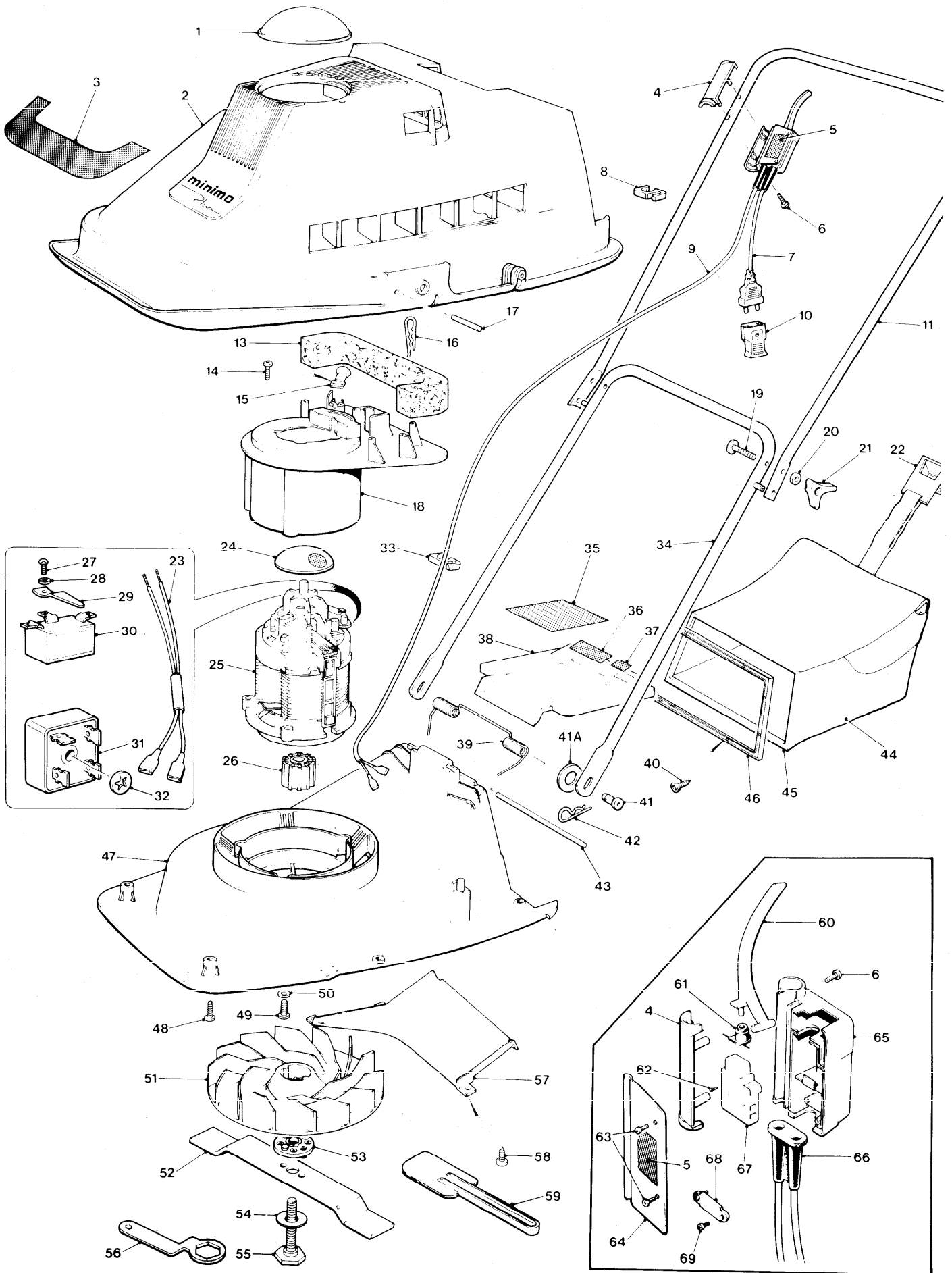


MINIMO PLUS 9635251





MINIMO PLUS 9635251

KEY No.	PART No.	DESCRIPTION	QUANTITY	COMMENTS/ APPLICATION	KEY No.	PART No.	DESCRIPTION	QUANTITY	COMMENTS/ APPLICATION
1	5126120-02/0	LENS	1		47	5106053-02/7	HOOD	1	
2	5126673-01/0	COWLING	1		48	5146824-00/7	SCREW	6	ALT USE 5147665-00/4
3	5136725-00/8	LABEL FLYMO	1		49	5141585-00/9	SCREW 1/4" —20UNC x 19LG	3	
4	5126378-01/6	SWITCHBOX RETAINER 18mm	1		50	5140266-00/7	WASHER	3	
5	5147942-00/6	LABEL SWITCHBOX LOCK OFF	1	GB	51	5116745-00/0	IMPELLER	1	
6	5146672-00/0	SCREW GKN POLYMATE	2		52	5126232-04/9	BLADE 28cm	1	
7	5136621-00/9	LEAD TERMINAL C/W PLUG	1	GB	53	5136668-01/8	BLADE SPACER PEGGED	3	
8	5140482-00/0	CABLE CLIP SMALL	1		54	5140516-00/5	ANTI FRICTION WASHER (PTFE)	1	
9	5147001-01/9	LEAD INTERNAL	1	ALT USE 5147001-24/1	55	5136242-01/2	BLADE BOLT	1	
10	5136662-00/3	SOCKET FEMALE 10 AMP	1		56	5130127-00/3	SPANNER	1	
11	5126698-00/9	HANDLE UPPER PLASTIC COATED	1		57	5116390-00/5	DEFLECTOR PLATE	1	
13	5136440-00/4	FILTER	1		58	5146824-00/7	SCREW	3	ALT USE 5147665-00/4
14	5147025-00/0	SCREW M3.5	2		59	5136330-00/7	SPATULA CLEANING	1	
15	5136480-00/0	CABLE CLAMP	1		60	5136182-01/0	LEVER SWITCH	1	
16	5147223-00/1	FILTER CLIP	2		61	5130406-01/9	SEAL CONE	1	
17	5148243-00/8	PIN SPIROL	2	NLA AS A SPARE PART	62	5141605-00/5	SCREW	4	
18	5116924-00/1	FILTER SUPPORT	1		63	5146672-00/0	SCREW GKN POLYMATE	2	
19	5140607-00/2	BOLT HANDLE 1/4 UNC x 45LG	2		64	5116495-00/2	SWITCHBOX COVER	1	
20	5140266-00/7	WASHER	2		65	5116641-03/5	SWITCHBOX BODY 18MM	1	
21	5140690-00/8	KNOB WING	2		66	5141584-01/0	SLEEVE PROTECTION	1	
22	5136225-00/9	CLIP	1		67	5136674-01/6	SWITCH ON/OFF LOCK OFF	1	KOPP 2412.04 OR 2412.13
23	322839-01/0	LEAD	2		68	5146616-00/7	CLAMP CABLE	1	
24	5146469-01/9	WARNING DISC ASSY ORANGE	1		69	5146672-00/0	SCREW GKN POLYMATE	2	
25	5126354-01/7	MOTOR 240 VOLT C/W RECTIFIER	1						
26	5126358-00/0	INSERT IMPELLER	1						
27	7241219-61/2	SCREW	1						
28	7352136-51/4	LOCKWASHER	1						
29	113721-00/5	CLIP	1						
30	113030-01/9	SUPPRESSOR 0.15 MF	1						
31	322814-00/5	RECTIFIER	1						
32	140785-01/5	CAPTIVE WASHER	1						
33	5140863-01/9	CABLE CLIP LARGE	1						
34	5126670-00/8	HANDLE LOWER	1						
35	5146467-00/5	LABEL WARNING	1	GB					
36	5116804-70/8	LABEL RATING/NOISE LEVEL	1	NLA AS A SPARE PART					
37	5136193-00/9	LABEL SERIAL NUMBER	1	NLA AS A SPARE PART					
38	5116922-00/5	FLAP REAR SAFETY	1						
39	5136274-00/7	SPRING LOCK	1						
40	5141599-00/0	SCREW	8						
41	5140092-00/7	PIN LOCKING	2	ALT USE 5140092-01/5					
41A	5140281-01/4	WASHER	2						
42	5140423-00/4	PIN RETAINING	2						
43	5146622-04/7	RETAINING ROD	1						
44	5126137-01/6	BAG SUB ASSY BROWN	1						
45	5116180-01/8	FRAME BAG INNER BROWN	1						
46	5106029-01/9	FRAME BAG OUTER BROWN	1						

PRODUCT VARIANT

9635251-01 GB.
9635251-25 GB.