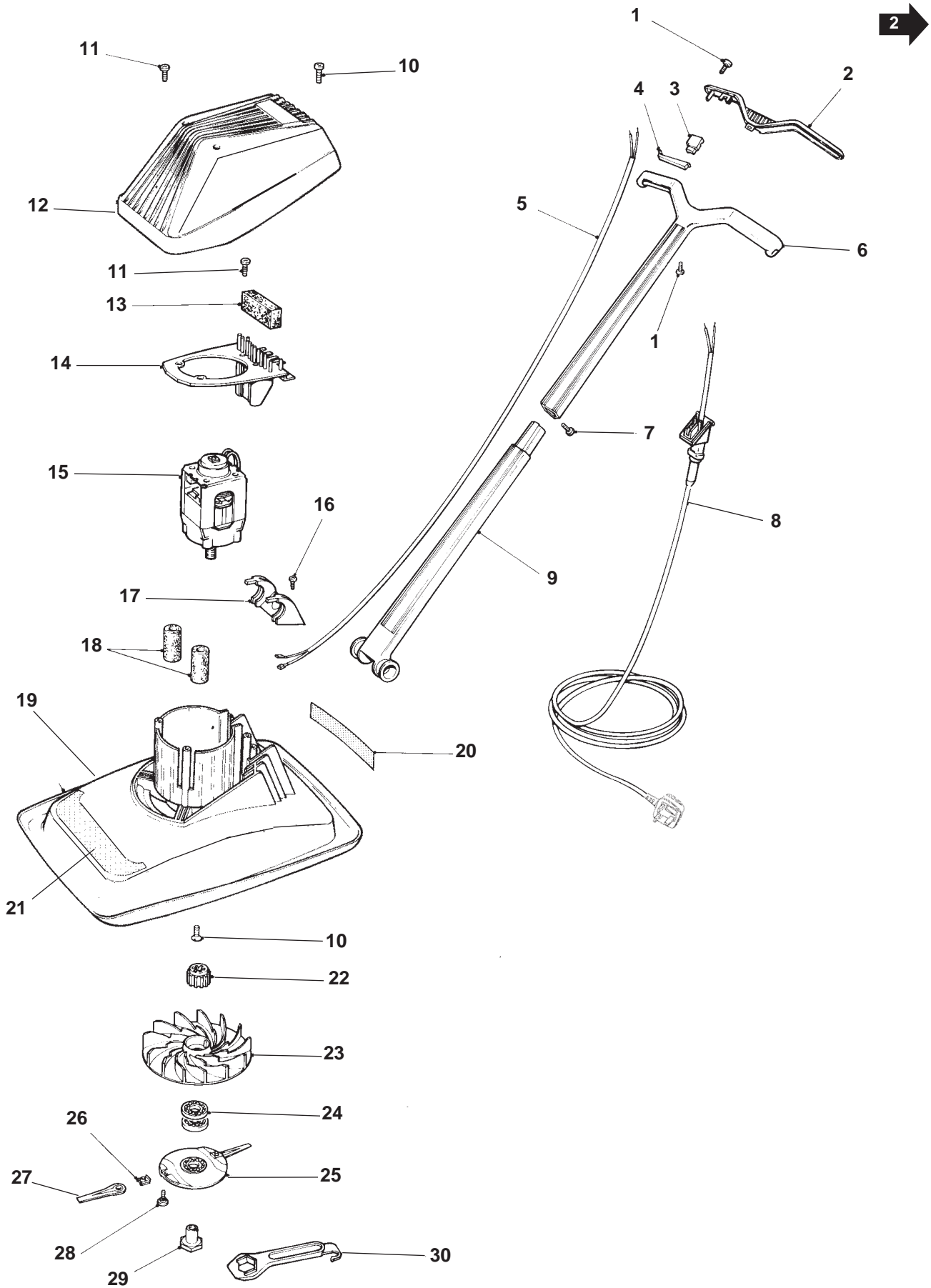


MODEL	Minimo E30
PRODUCT NO.	9633061



# Flymo

MODEL	Minimo E30
PRODUCT NO.	9633061



KEY	PART NUMBER	DESCRIPTION	QTY
01	5146824-00/7	SCREW	4
02	5117649-64/9	HANDLE COVER	1
03	5137630-04/1	SWITCH	1
04	5137609-02/9	SWITCH LEVER	1
05	5148279-36/6	LEAD INTERNAL	1
06	5106536-68/2	HANDLE,UPPER	1
07	5146824-00/7	SCREW	1
08	5138043-04/6	LEAD,CONNECTING	1
09	5106486-68/0	HANDLE,LOWER	1
10	5148519-01/9	SCREW	5
11	5149117-00/3	SCREW	4
12	5127006-06/1	COVER,PRINTED	1
13	5137824-00/8	FILTER	1
14	5106409-00/5	FILTER SUPPORT	1
15	5150012-01/0	MOTOR,240V	1
16	5148519-01/9	SCREW	2
17	5117302-68/6	HANDLE LOCK	1
18	5148763-00/5	SEAL TUBE	2
19	5106448-64/9	HOOD	1
20	5137854-00/5	LABEL WARNING	1
21	5126732-01/4	LABEL,FLYMO	1
22	5126983-01/3	INSERT, IMPELLER	1
23	5116967-02/6	IMPELLER	1
24	5126987-00/6	SPACER BLADE	2
25	5117530-00/5	DISC,30CM	1
26	5148698-00/3	LUG NUT	2
27	5137851-00/1	CUTTER PLASTIC	2
28	5148844-00/3	SCREW	2
29	5137823-00/0	NUT BLADE	1
30	5126682-00/3	SPANNER/SCRAPER	1

## **PRODUCT APPLICATION**

**9633061-01 GB**

**WHERE NO APPLICATION DETAILS ARE SHOWN, PART APPLIES TO ALL COUNTRIES**

**A Austria; AUS Australia; B Belgium; CND Canada; CH Switzerland; D Germany; DK Denmark; E Spain; EI Eire; F France; GB Great Britain; I Italy; N Norway; NL Netherlands; NZ New Zealand; O/S Overseas; P Portugal; S Sweden; SF Finland; USA America; ZA South Africa**