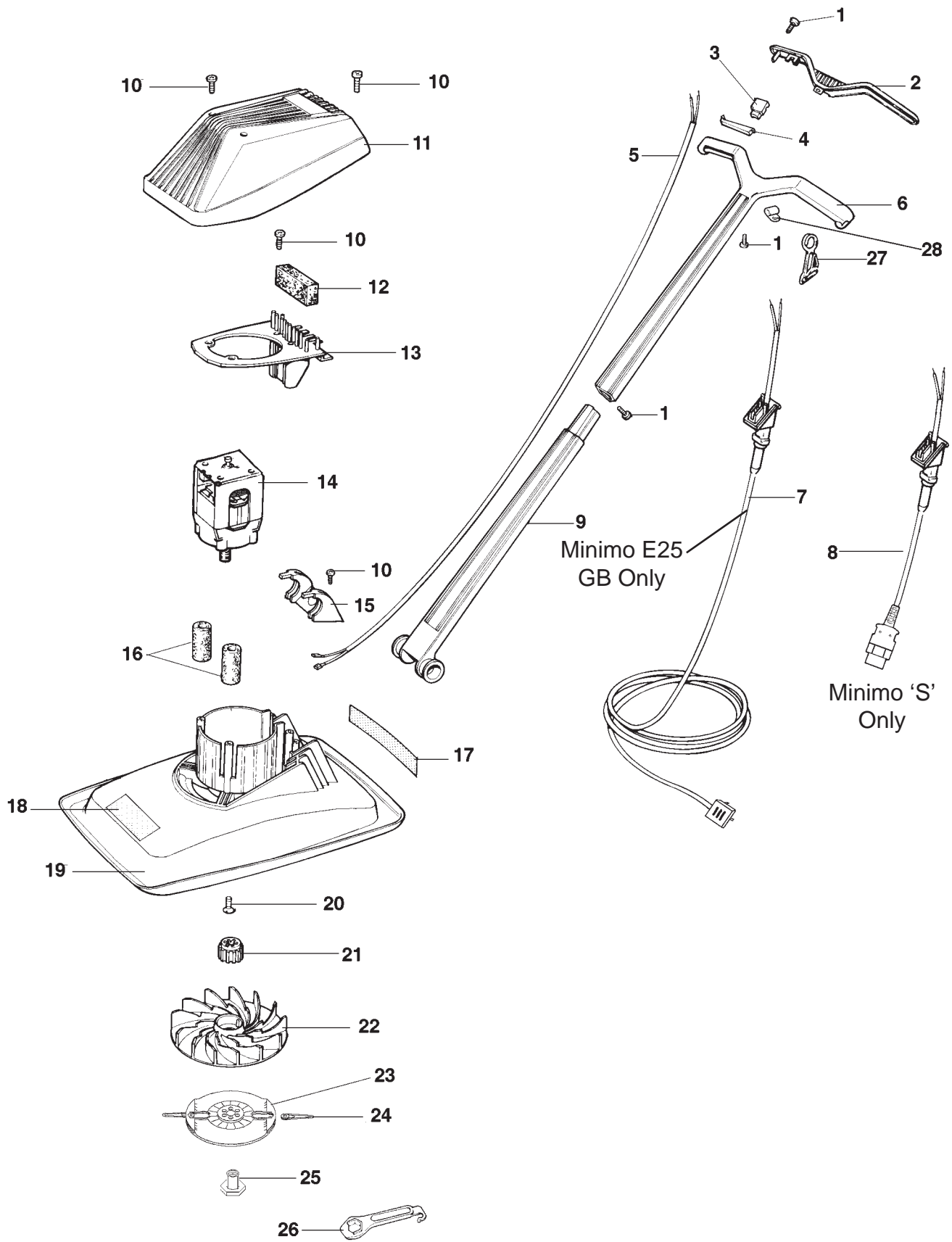


MODEL	Minimo E25;Minimo S	PRODUCT APPLICATION
PRODUCT NO.	9632540;9632542	9632540-01 GB. 9632542-26 GB 9632540-88 E,I,F,NL,P. 9632540-89 D,DK,N,S,SF.



MODEL	Minimo E25;Minimo S	PRODUCT APPLICATION
PRODUCT NO.	9632540;9632542	9632540-01 GB. 9632542-26 GB 9632540-88 E,I,F,NL,P. 9632540-89 D,DK,N,S,SF.



01	5146824-00/7	5		SCREW
02	5117649-64/9	1		HANDLE COVER
03	5137630-04/1	1	GB,E,I,F,NL,P.	SWITCH
	5138074-01/7	1	D,DK,N,S,SF. Minimo S	SWITCH
04	5137609-02/9	1		SWITCH LEVER
05	5148279-54/9	1	GB,E,I,F,NL,P.	INTERNAL LEAD
	5148279-55/6	1	D,DK,N,S,SF.	INTERNAL LEAD
06	5106536-68/2	1		HANDLE,UPPER
07	5138043-04/6	1	GB.	LEAD
	5138043-03/8	1	D,DK,N,S,SF.	LEAD
	5138043-02/0	1	E,I,F,NL,P.	LEAD
08	5138043-07/9	1	Minimo S	LEAD
09	5106486-68/0	1		HANDLE,LOWER
10	5148519-01/9	7		SCREW
11	5127006-04/6	1		COWLING,PRINTED
	5127006-07/9	1	Minimo S	COWLING,PRINTED
12	5137824-00/8	1		FILTER
13	5106409-00/5	1		FILTER SUPPORT
14	5150013-00/0	1		MOTOR
15	5117302-68/6	1		HANDLE LOCK
16	5148763-00/5	2		SEAL TUBE
17	5137854-00/5	1	GB.	LABEL, WARNING
	5138201-00/8	1	E,I,F,NL,P.	LABEL, WARNING
	5137987-01/1	1	D.	LABEL, WARNING
	5138203-00/4	1	DK,N,S,SF.	LABEL, WARNING
18	5126732-01/4	1		LABEL,FLYMO
19	5106405-01/1	1		HOOD
20	5148122-01/2	4		SCREW
21	5126983-01/3	1		INSERT,IMPELLER
22	5117996-01/6	1		IMPELLER
23	5118007-00/3	1		CUTTER DISC
24	5127500-00/6	2		PLASTIC CUTTER
25	5138359-00/4	1		DISC NUT
26	5126682-00/3	1		SPANNER/SCRAPER
27	5126240-01/8	1		CORD GUIDE
28	5148709-00/8	1		P CLIP