

Flymo

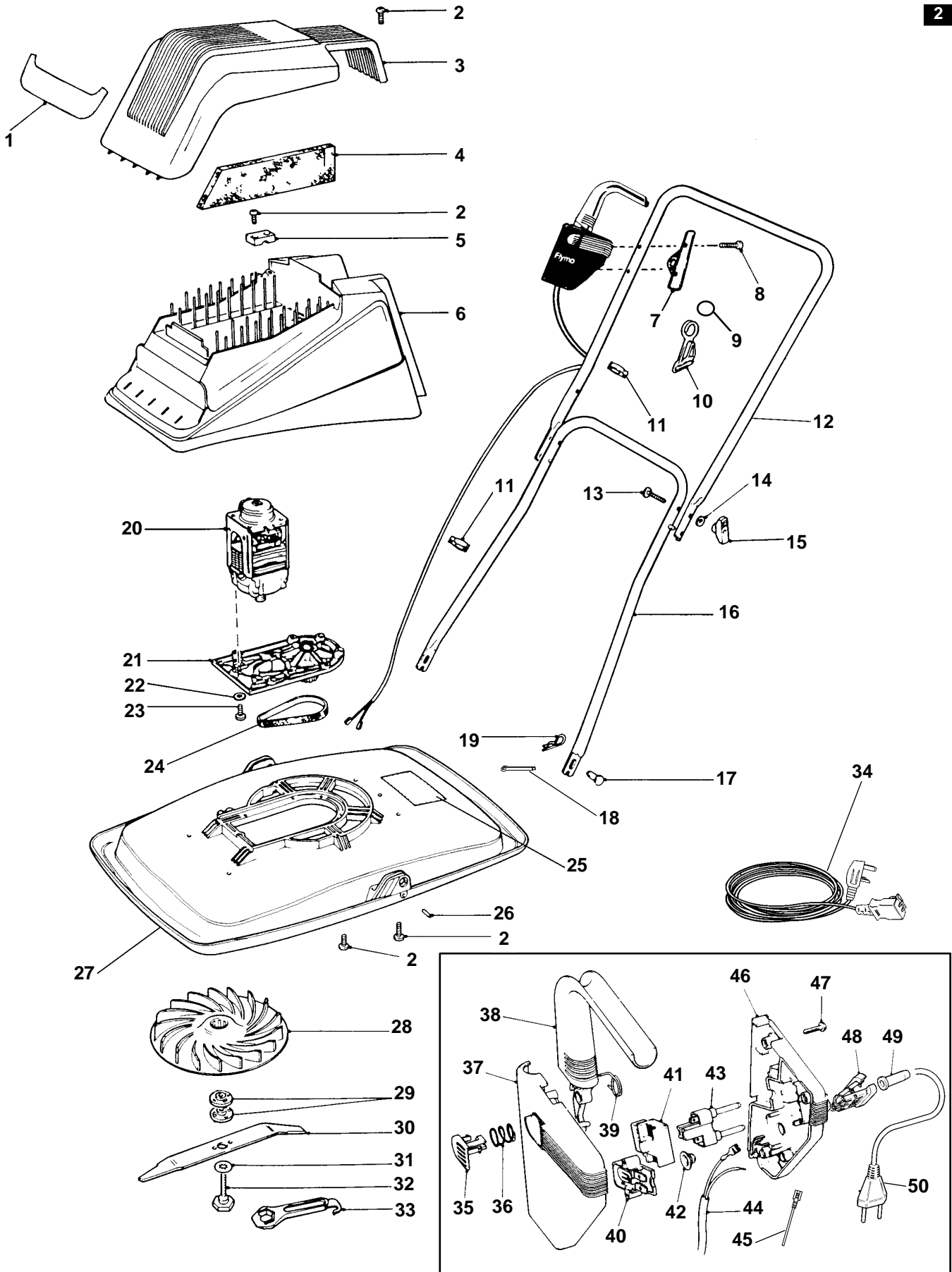
MODEL

E400

PRODUCT NO.

9634016, 9634017, 9634018

2



Flymo

MODEL	E400
PRODUCT NO.	9634016, 9634017, 9634018



KEY PART NUMBER	DESCRIPTION	QTY
01	5138220-00/8 LABEL,FLYMO	1
02	5148649-01/4 SCREW	16
03	5117408-13/7 UPPER COWL	1 GB.EI.
	5117408-12/9 UPPER COWL	1 AUS.NZ.CH.N.DK.S.SF.A.B.D.F.NL.I.E.P.ZA.
04	5138095-00/4 FILTER	2
05	5136692-01/8 CABLE CLAMP	1
06	5106436-64/4 LOWER COWL	1
07	5117659-01/0 RETAINER,SWITCHBOX	1 GB.EI.CH.ZA.
	5117657-01/4 RETAINER,SWITCHBOX	1 AUS.NZ.N.DK.S.SF.A.B.D.F.NL.I.E.P.
08	5146672-00/0 SCREW	2
09	5148886-00/4 SPLIT RING	1 N.DK.S.SF.
10	5138024-00/4 CORD GUIDE	1 AUS.NZ.A.B.D.F.NL.I.E.P.
	5148887-00/2 CORD GUIDE	1 N.DK.S.SF.
11	5137750-00/5 CABLE CLIP	2
12	5126816-22/1 HANDLE/LABEL ASSY	1 GB.EI.
	5117411-01/6 HANDLE,UPPER	1 AUS.NZ.CH.N.DK.S.SF.A.B.D.F.NL.I.E.P.ZA.
13	5148672-00/8 HANDLE BOLT	2
14	5140266-00/7 WASHER	2
15	5137679-00/6 WING KNOB	2
16	5117409-01/0 HANDLE,LOWER	1
17	5140092-03/1 PIVOT PIN	2
18	5141424-01/9 SPLIT PIN	2 AUS.NZ.
19	5140423-00/4 RETAINING PIN	2 GB.EI.CH.N.DK.S.SF.A.B.D.F.NL.I.E.P.ZA.
20	5150010-01/4 MOTOR 240V	1 GB.EI.AUS.NZ. Use on Product No: 9634016 ONLY.
	5150010-02/2 MOTOR 220V	1 CH.N.DK.S.SF.A.B.D.F.NL.I.E.P.ZA Use on Product No: 9634017 ONLY
	5150010-00/6 MOTOR 230V	1 GB.EI.CH.N.DK.S.SF.A.B.D.F.NL.I.E.P.
21	5137968-00/3 BASEPLATE/PULLEY	1
22	5140943-00/1 WASHER	4
23	5148696-01/5 MOTOR SCREW	4
24	5137872-00/7 DRIVE BELT	1
25	5138319-00/8 LABEL,WARNING	1
26	5147594-00/5 PIN	2
27	5137890-00/9 HOOD 40CM	1
28	5117227-01/6 IMPELLER	1
29	5138110-01/9 BLADE SPACER,PEGGED	3
30	5126995-00/9 BLADE 40CM	1
31	5148259-00/4 WASHER,PTFE	1
32	5137608-00/5 BLADE BOLT ASSY	1
33	5126682-00/3 SPANNER/SCRAPER	1
34	5127250-03/2 MAINS LEAD	1 GB.EI.
	5126968-00/6 MAINS LEAD	1 AUS.NZ.
35	5127008-00/0 LOCK OFF	1
36	5148658-00/7 SPRING-LOCK OFF	1
37	5106539-01/7 SWITCHBOX UPPER	1
38	5106481-01/2 LEVER	1
39	5148657-00/9 SPRING,TORSION	1
40	5127255-00/7 THERMAL CUT-OUT	1
41	5137786-00/9 SWITCH	1
42	5149024-00/1 CUT-OUT COVER	1
43	5137686-00/1 PIN RETAINER	1 GB.EI.
	5148784-00/1 PIN RETAINER	1 N.DK.S.SF.A.B.D.F.NL.I.E.P.
44	5148814-20/4 LEAD	1 GB.EI.AUS.NZ.ZA.
	5148814-19/6 LEAD	1 CH.
	5148814-18/8 LEAD	1 N.DK.S.SF.A.B.D.F.NL.I.E.P.
45	5148773-00/4 LEAD,INTERNAL	1
46	5106538-01/9 SWITCHBOX LOWER	1 GB.EI.AUS.NZ.CH.ZA.
	5106540-01/5 SWITCHBOX LOWER	1 N.DK.S.SF.A.B.D.F.NL.I.E.P.
47	5146672-00/0 SCREW	4
48	5117528-00/9 CABLE RETAINER	1 AUS.NZ.CH.ZA.
49	5148741-00/1 PROTECTION SLEEVE	1 AUS.NZ.CH.ZA.
50	5148280-04/2 LEAD ASSY	1 AUS.NZ.
	5148282-25/3 LEAD ASSY	1 CH.
	5137738-04/2 LEAD ASSY	1 ZA.

PRODUCT APPLICATI

9634016-01	GB.EI.	9634017-85	A.B.D.F.NL.I.E.P.	9634018-27	N.DK.S.SF.
9634016-99	AUS.NZ.	9634017-96	ZA.	9634018-85	A.B.D.F.NL.I.E.P.
9634017-22	CH.	9634018-01	GB.EI.		
9634017-27	N.DK.S.SF.	9634018-22	CH.		

WHERE NO APPLICATION DETAILS ARE SHOWN, PART APPLIES TO ALL COUNTRIES

A Austria; AUS Australia; B Belgium; CND Canada; CH Switzerland; D Germany; DK Denmark; E Spain; EI Eire; F France; GB Great Britain; I Italy; N Norway; NL Netherlands; NZ New Zealand; O/S Overseas; P Portugal; S Sweden; SF Finland; USA America; ZA South Africa