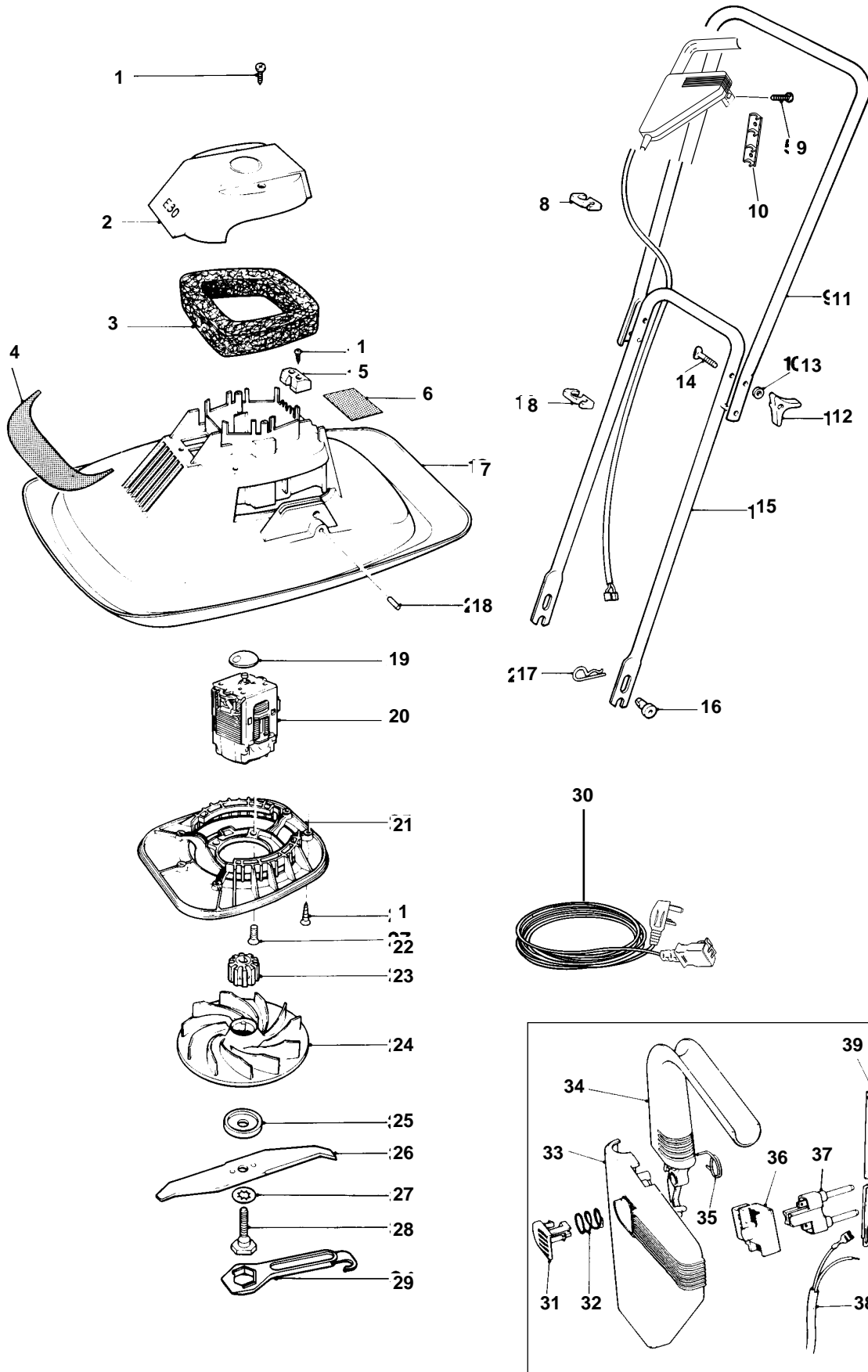


MODEL	E30-6
PRODUCT NO.	9633045



Flymo

MODEL	E30-6
PRODUCT NO.	9633045

1

KEY	PART NUMBER	DESCRIPTION	QTY
01	5146736-00/3	SCREW	9
02	5137988-68/8	COWL	1
03	5136656-00/5	FILTER	1
04	5136725-01/6	LABEL FLYMO	1
05	5126827-00/4	CABLE CLAMP	1
06	5146467-00/5	LABEL WARNING ELECTRIC	1
07	5126515-02/1	HOOD 30CM	1
08	5137750-00/5	CLIP CABLE	2
09	5146672-00/0	SCREW	2
10	5117659-01/0	RETAINER,SWITCHBOX	1
11	5126816-20/5	HANDLE/LABEL ASSY	1
12	5137679-00/6	WING KNOB	2
13	5140266-00/7	WASHER	2
14	5148672-00/8	HANDLE BOLT	2
15	5117690-01/5	HANDLE,LOWER	1
16	5140092-03/1	PIVOT PIN	2
17	5140423-00/4	PIN RETAINING	2
18	5147594-00/5	PIN	2
19	5146469-01/9	WARNING DISC ASSY ORANGE	1
20	5150008-01/8	MOTOR - 240V	1
21	5106169-01/3	MOTOR MOUNTING PLATE	1
22	5148122-01/2	SCREW PLASTITE	4
23	5126764-00/9	INSERT,IMPELLER	1
24	5116967-10/9	IMPELLER	1
25	5138110-01/9	BLADE SPACER PEGGED	2
26	5126439-00/8	BLADE 30CM	1
27	5148259-00/4	WASHER ANTI FRICTION PTFE	1
28	5137608-00/5	BLADE BOLT C/W PTFE WASHER	1
29	5126682-00/3	SPANNER/SCRAPER	1
30	5127250-03/2	MAINS LEAD 20MT	1
31	5127008-00/0	LOCK OFF	1
32	5148658-00/7	SPRING-LOCK OFF	1
33	5106539-01/7	SWITCHBOX UPPER	1
34	5106481-01/2	LEVER	1
35	5148657-00/9	SPRING-TORSION	1
36	5137685-00/3	SWITCH	1
37	5137686-00/1	PIN RETAINER	1
38	5148814-07/1	LEAD	1
39	5106538-00/1	SWITCHBOX LOWER	1
40	5146672-00/0	SCREW	4

PRODUCT APPLICATION
9633045-01 GB

WHERE NO APPLICATION DETAILS ARE SHOWN, PART APPLIES TO ALL COUNTRIES

A Austria; AUS Australia; B Belgium; CND Canada; CH Switzerland; D Germany; DK Denmark; E Spain; EI Eire; F France;
GB Great Britain; I Italy; N Norway; NL Netherlands; NZ New Zealand; O/S Overseas; P Portugal; S Sweden; SF Finland;
USA America; ZA South Africa