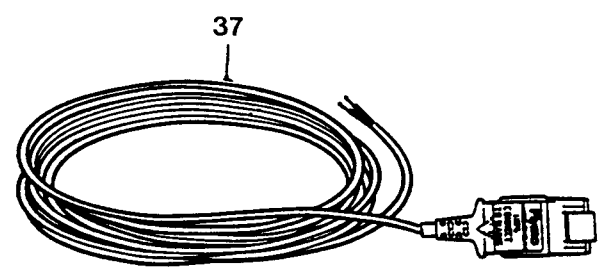
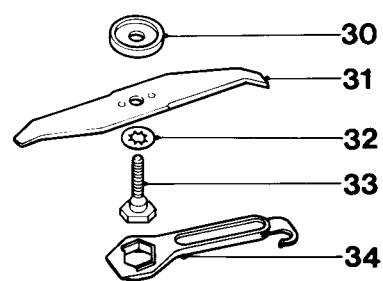
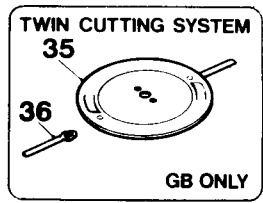
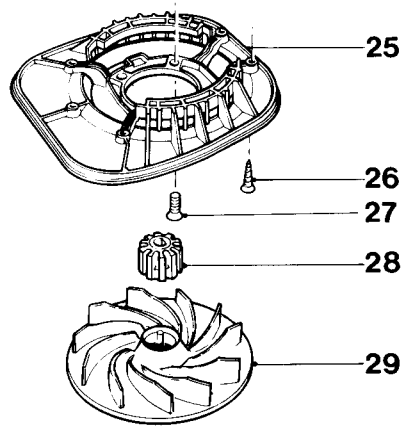
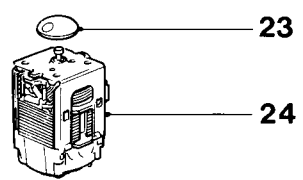
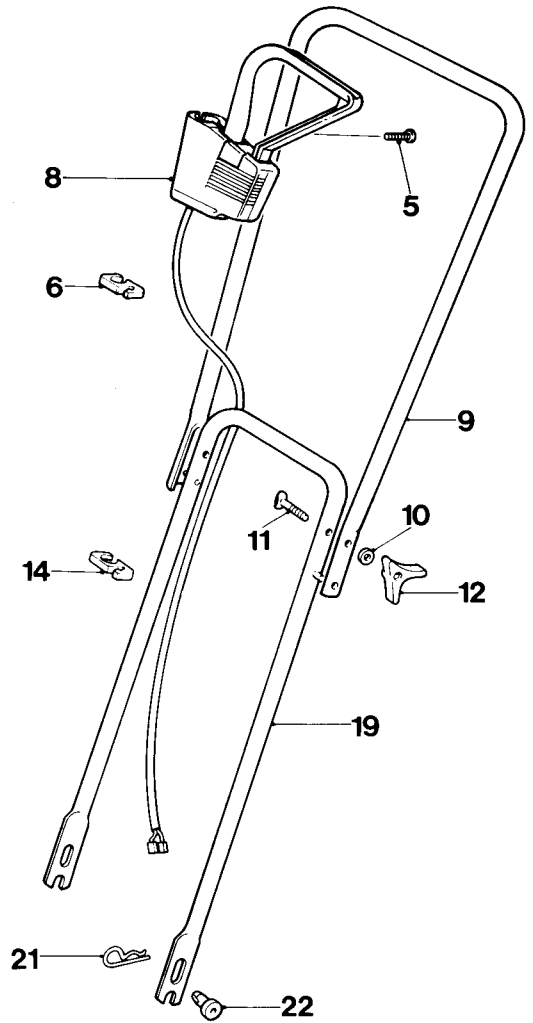
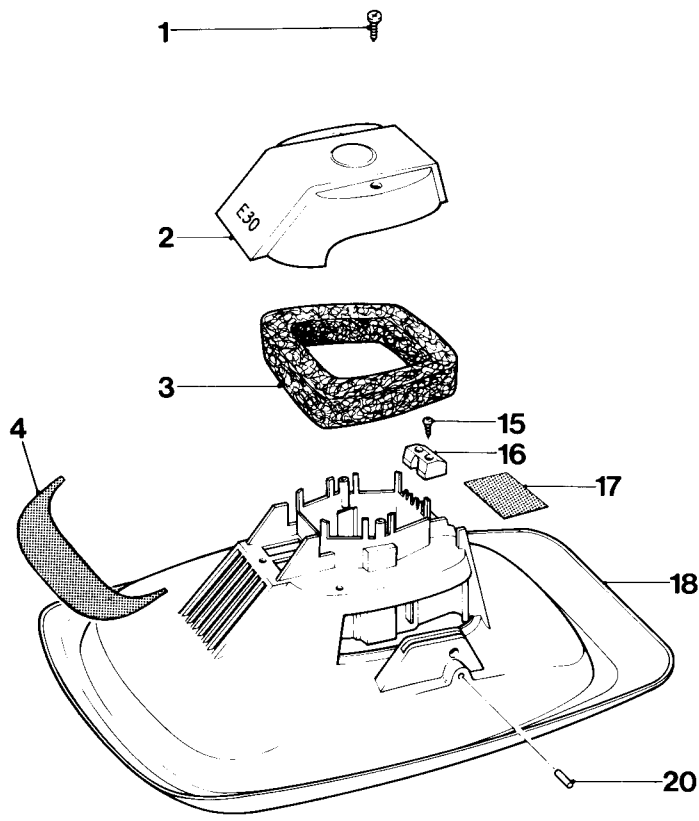




E30-5 9633041
9633042




E30-5 9633041
9633042

KEY No.	PART No	DESCRIPTION	QUANTITY	COMMENTS APPLICATION
1	5146736-00/3	SCREW HIGH/LOW	2	
2	5137486-02/2	COWL C/W LENS	1	GB.
	5137660-01/4	COWL C/W LENS	1	
3	5136656-00/5	FILTER	1	
4	5136725-00/8	LABEL FLYMO	1	
5	5146672-00/0	SCREW GKN POLYMATE	2	
6	5140482-00/0	CABLE CLIP SMALL	1	ALT 5137750-00/5
7	5126891-08/3	SWITCHBOX ASSY	1	GB.E.P.O/S.
	5126901-04/9	SWITCHBOX (EUROPE)	1	F.B.NL.A.N.DK.I.
9	5126816-02/3	HANDLE/LABEL ASSY	1	GB.
	5126242-03/0	HANDLE UPPER PLASTIC COATED	1	
10	5140266-00/7	WASHER	2	
11	5140607-00/2	BOLT HANDLE ¼ UNC x 45LG	2	
12	5140690-00/8	KNOB WING WHITE	2	
14	5140863-01/9	CABLE CLIP LARGE	1	ALT 5137750-00/5
15	5146736-00/3	SCREW HIGH/LOW	2	
16	5126827-00/4	CABLE CLAMP	1	
17	5147876-00/6	LABEL WARNING ELECTRIC	1	GB.
	5136708-01/2	LABEL WARNING ELECTRIC	1	F.B.NL.A.
14	5136712-01/4	LABEL WARNING ELECTRIC	1	I.DK.N.
	5136729-01/8	LABEL WARNING ELECTRIC	1	O/S.E.P.
18	5126515-02/1	HOOD 30CM	1	
19	5117082-00/7	HANDLE LOWER	1	
20	5147594-00/5	PIN	2	
21	5140423-00/4	PIN RETAINING	2	
22	5140092-00/7	PIVOT PIN	2	
23	5146469-01/9	WARNING DISC ASSY ORANGE	1	
24	5126677-01/1	MOTOR 240 VOLT	1	GB.
	5126677-02/9	MOTOR 220 VOLT	1	
25	5106169-01/3	MOTOR MOUNTING PLATE	1	
26	5146736-00/3	SCREW HIGH/LOW	5	
27	5148122-01/2	SCREW PLASTITE 10x19MM LNG	4	
28	5126764-00/9	INSERT-PLASTIC	1	
29	5116967-01/8	IMPELLER	1	
30	5136240-01/6	BLADE SPACER	2	
31	5126439-00/8	BLADE 30CM	1	GB.
	5126439-01/6	BLADE 30CM	1	
32	5148259-00/4	WASHER ANTI-FRICTION PTFE	1	
33	5137608-00/5	BLADE BOLT C/W PTFE WASHER	1	
34	5126682-00/3	SPANNER/SCRAPER ABS	1	
35	5126734-00/2	DISC ASSY 30CM	1	
36	5148257-02/4	CUTTER PLASTIC LONG LIFE	2	
37	5126890-01/0	CABLE EXTENSION	1	GB.O/S.P.S.

WHERE NO APPLICATION DETAILS ARE SHOWN PART APPLIES TO ALL COUNTRIES

PRODUCT VARIANT

9633041-25	GB	9633042-74	I.N.DK.
9633042-72	A.B.F.NL.	9633042-77	O/S.P.S.