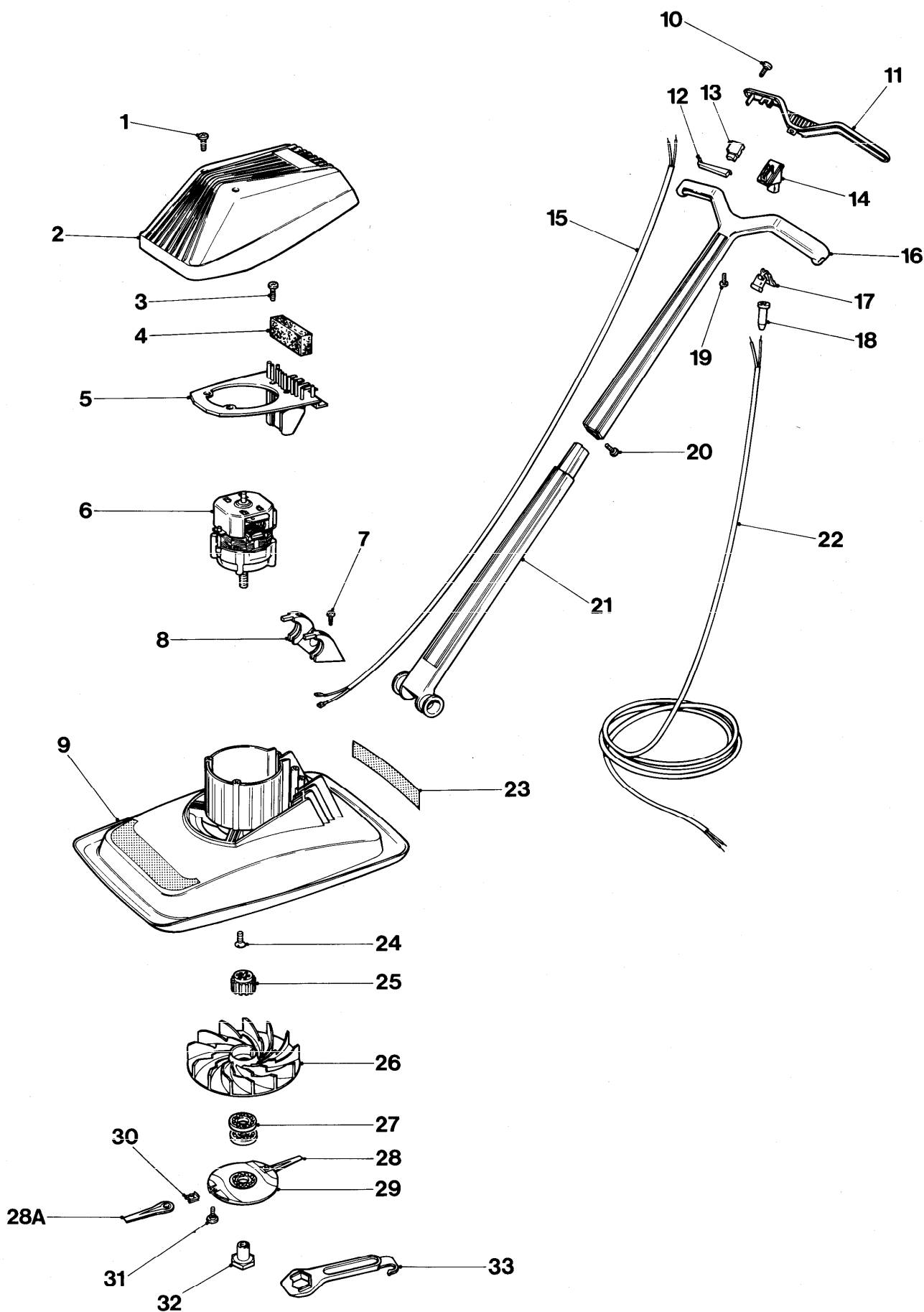




E25-21 MINIMO DUO 9632531-25





E25-21 MINIMO DUO 9632531-25

KEY No.	PART No	DESCRIPTION	QUANTITY	COMMENTS APPLICATION
1	5146824-00/7	SCREW HIGH/LOW	2	
2	5127006-01/2	COWLING	1	
3	5146824-00/7	SCREW HIGH/LOW	2	
4	5137824-00/8	FILTER	1	
5	5106409-00/5	FILTER SUPPORT	1	
6	5126982-01/5	MOTOR	1	
7	5146824-00/7	SCREW HIGH/LOW	2	
8	5117302-00/9	HANDLE LOCK	1	
9	5127059-01/1	HOOD LABEL ASSY	1	
10	5146824-00/7	SCREW HIGH/LOW	2	
11	5117301-01/9	HANDLE COVER	1	
12	5137609-00/3	SWITCH LEVER	1	
13	5137630-02/5	SWITCH	1	
14	5117309-00/4	CABLE BRACKET	1	
15	5148279-36/6	LEAD INTERNAL	1	
16	5106404-00/6	HANDLE UPPER	1	
17	5117173-00/4	CABLE RETAINER	1	
18	5148441-00/8	SLEEVE PROTECTION	1	
19	5146824-00/7	SCREW HIGH/LOW	1	
20	5146824-00/7	SCREW HIGH/LOW	1	
21	5127022-01/9	HANDLE LOWER	1	
22	5147001-50/6	LEAD TERMINAL 12.2MT	1	
23	5137854-00/5	LABEL WARNING	1	
24	5148122-01/2	SCREW PLASTITE 10X19MM LNG	4	
25	5126983-00/5	IMPELLER INSERT	1	
26	5117305-00/2	IMPELLER	1	
27	5126987-00/6	SPACER BLADE	2	
28	5137852-00/9	CUTTER METAL	2	
28A	5137851-00/1	CUTTER PLASTIC	2	
29	5117338-00/3	DISC	1	
30	5148698-00/3	LUG NUT	2	
31	5148693-00/4	SCREW	2	
32	5137823-00/0	NUT BLADE	1	
33	5126682-00/3	SPANNER/SCRAPER ABS	1	
34	5148519-00/1	SCREW (REAR COWL)	1	NOT ILLUSTRATED

WHERE NO APPLICATION DETAILS ARE SHOWN PART APPLIES TO ALL COUNTRIES

PRODUCT VARIANT

9632531-25 GB