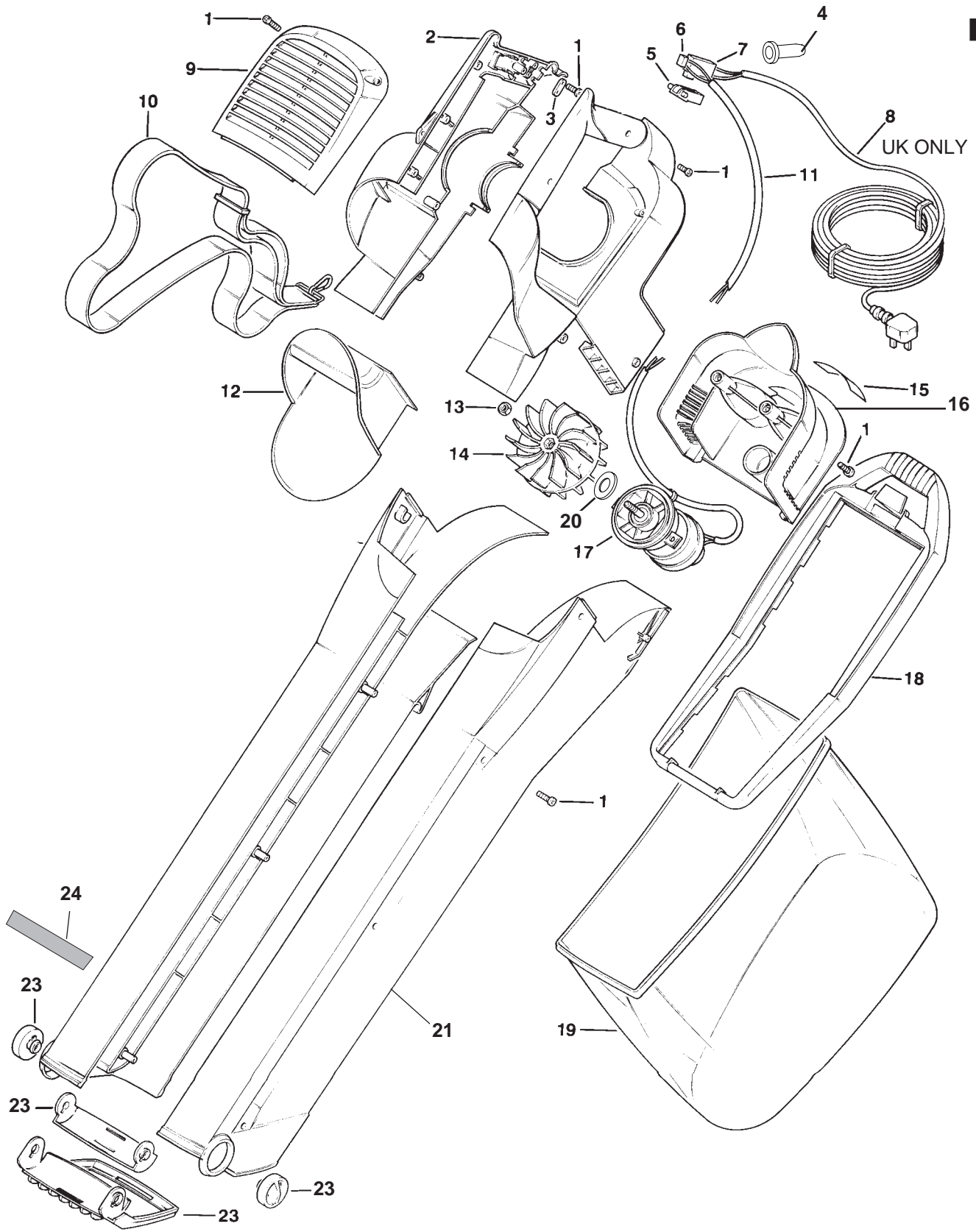


Flymo

MODEL	Gardenvac EV650
PRODUCT NO.	9648601, 9648605



2

Flymo

MODEL	Gardenvac EV650
PRODUCT NO.	9648601, 9648605



KEY	PART NUMBER	DESCRIPTION	QTY	
01	5146672-00/0	SCREW	19	
02	5149166-05/9	VOLUTES,PAIR OF	1	
03	5140705-00/4	CABLE CLAMP	1	
04	5148741-00/1	PROTECTION SLEEVE	1	
05	5127302-00/7	SWITCH ACTUATOR	1	
06	5148397-01/0	CAPACITOR	1	
07	5137685-00/3	SWITCH	1	GB.EI.AUS
	5137894-00/1	SWITCH	1	CH.F.B.NL.D.E.P.I.N.S.DK.SF.A.
08	5127251-03/0	LEAD	1	GB.EI.
	5147000-02/9	LEAD	1	A.
	5147000-03/7	LEAD	1	CH.
	5148282-02/2	LEAD	1	F.B.NL.D.E.P.I.N.S.DK.SF.
	5138270-00/3	LEAD	1	AUS.
09	5106602-00/5	GRILL	1	
10	5149105-00/8	STRAP	1	
11	5138179-00/6	LEAD,INTERNAL ASSY	1	
12	5127305-00/0	HANDLE PRINTED	1	
13	5149106-00/6	NUT	1	
14	5117740-67/9	IMPELLER	1	
15	5138180-00/4	LABEL,WARNING	1	
16	5106551-64/0	COVER,MOTOR	1	
17	5150018-00/9	MOTOR	1	
18	5106552-00/2	BAG FRAME	1	
19	5106573-00/8	DEBRIS BAG	1	
20	5149164-00/5	WASHER	1	
21	5149165-05/1	TUBES,PAIR OF	1	
23	5149271-00/8	WEAR PLATE KIT	1	
24	5149112-00/4	LABEL	1	

PRODUCT APPLICATION

9648601-01 GB.EI.	9648605-01 GB.EI
9648601-22 CH.	9648605-03 A.
9648601-86 F.B.NL.D.E.P.I.N.S.DK.SF.	9648605-22 CH.
9648601-99 AUS.	9648605-80 F.B.NL.D.E.I.N.S.DK.SF.

WHERE NO APPLICATION DETAILS ARE SHOWN, PART APPLIES TO ALL COUNTRIES

A Austria; AUS Australia; B Belgium; CND Canada; CH Switzerland; D Germany; DK Denmark; E Spain; EI Eire;
F France; GB Great Britain; I Italy; N Norway; NL Netherlands; NZ New Zealand; O/S Overseas; P Portugal;
S Sweden; SF Finland; USA America; ZA South Africa