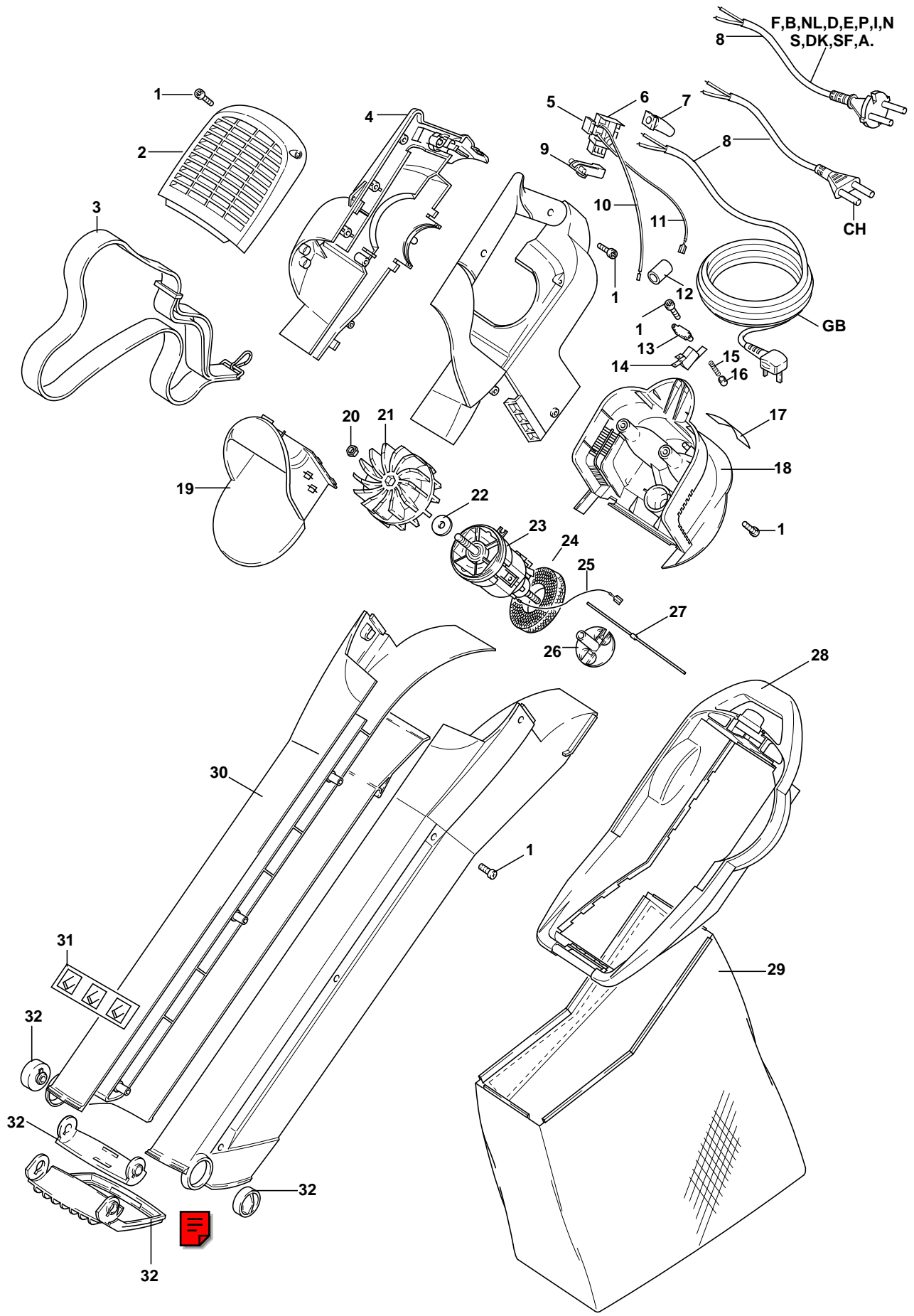


MODEL	Gardenvac Leafshredder	PRODUCT APPLICATION 9648610-01 GB 9648610-22 CH 9648610-86 F,B,NL,D,E,P,I,N,S,DK,SF,A.	
PRODUCT NO.	9648610		



MODEL	Gardenvac Leafshredder	PRODUCT APPLICATION 9648610-01 GB 9648610-22 CH 9648610-86 F,B,NL,D,E,P,I,N,S,DK,SF,A.	
PRODUCT NO.	9648610		



KEY	PART NUMBER	QTY		
01	5146672-00/0	21		SCREW
02	5106602-00/5	1		GRILL
03	5149105-00/8	1		STRAP
04	5149166-05/9	1		VOLUTES,PAIR
05	5148397-01/0	1		CAPACITOR
06	5137685-00/3	1	GB	SWITCH
	5137894-00/1	1	CH,F,B,NL,D,E,P I,N,S,DK,SF,A.	SWITCH
07	5149370-00/8	1		PROTECTION SLEEVE
08	5127251-03/0	1	GB	LEAD
	5147000-03/7	1	CH	LEAD
	5147000-02/9	1	F,B,NL,D,E,P I,N,S,DK,SF,A.	LEAD
09	5127302-00/7	1		ACTUATOR
10	5149399-00/7	1		LEAD
11	5149485-00/4	1		LEAD
12	5149490-00/4	1		SLEEVE
13	5146616-00/7	1		CLAMP CABLE
14	5149481-00/3	1		SWITCH, MICRO
15	5149129-00/8	1		SPRING
16	5149364-00/1	1		SPRING
17	5138406-00/3	1		LABEL WARNING
18	5106662-00/9	1		COVER
19	5127514-00/7	1		HANDLE
20	5149106-00/6	1		NUT
21	5117740-67/9	1		FAN
22	5149164-00/5	1		WASHER
23	5150039-00/5	1		MOTOR
24	5138349-00/5	1	F,B,NL,D,E,P I,N,S,DK,SF,A.	FOAM COLLAR
25	5149484-00/7	1		INTERNAL LEAD
26	5138389-00/1	1		CUTTING HEAD ASSEMBLY
27	5138400-00/6	1		BLADE
28	5106661-00/1	1		BAG FRAME
29	5106700-00/7	1		DEBRIS BAG
30	5149404-00/5	1		TUBES PAIR
31	5149112-00/4	1		LABEL
32	5149271-00/8	1		WEAR PLATE KIT