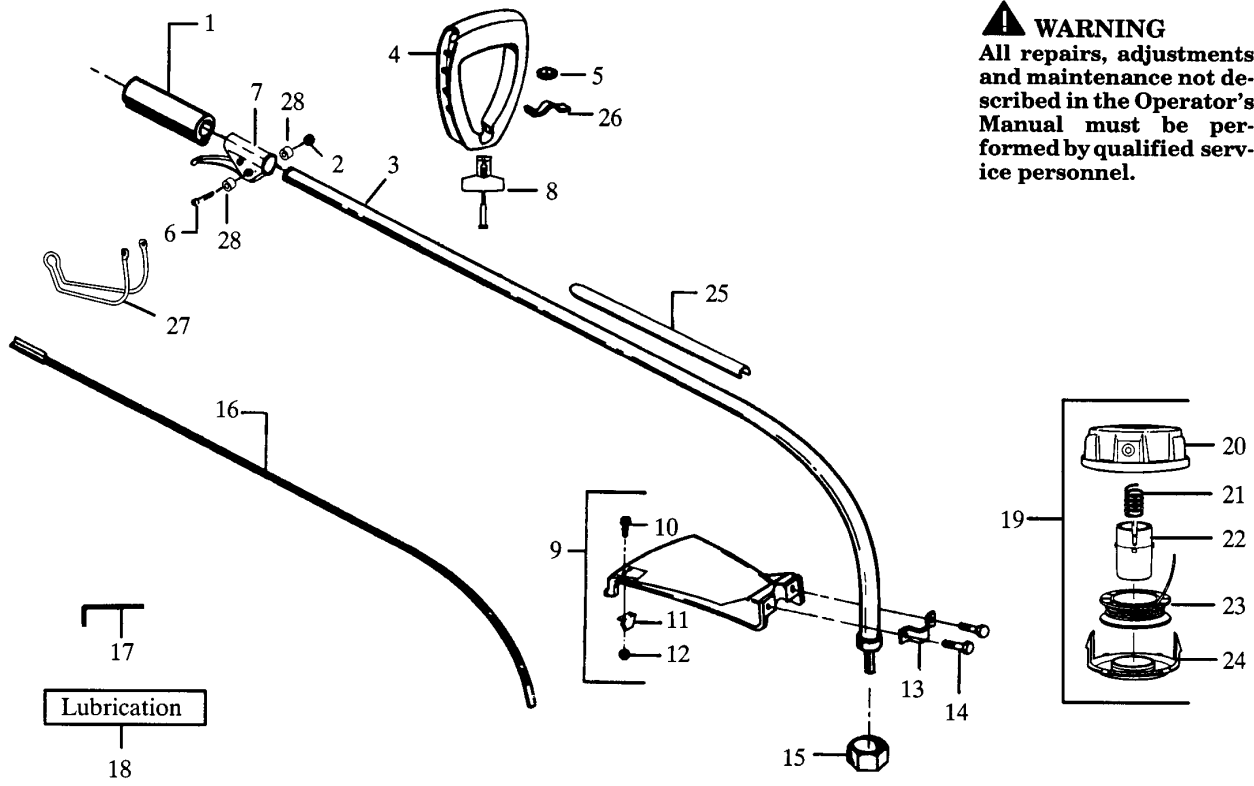


| | |
|-------------|----------------------------------|
| MODEL | Maxi trim 430 Type II & Type III |
| PRODUCT NO. | 9527152-79 |



⚠ WARNING
 All repairs, adjustments and maintenance not described in the Operator's Manual must be performed by qualified service personnel.

| KEY PART NUMBER | DESCRIPTION | QTY | KEYPART NUMBER | DESCRIPTION | QTY | | |
|-----------------|--------------|---------------------|----------------|-------------|--------------|---------------------|---|
| 01 | 5300275-95/4 | GRIP | 1 | 15 | 5300945-43/2 | DUST CAP | 1 |
| 02 | 5300157-68/1 | LOCKNUT | 1 | 16 | 5300946-71/1 | DRIVESHAFT | 1 |
| 03 | 5300946-88/5 | DRIVESHAFT HSG. | 1 | 17 | 5300311-11/4 | HEX WRENCH 5/32 | 1 |
| 04 | 5300142-22/0 | HANDLE ASSY | 1 | 18 | 9520301-39/2 | SHAFT LUBRICATION | 1 |
| 05 | 5300156-10/5 | NUT | 1 | 19 | 9527155-26/2 | CUTTING HEAD ASSY | 1 |
| 06 | 5300152-45/0 | SCREW | 1 | 20 | 5300948-78/2 | HUB ASSY | 1 |
| 07 | 5300109-59/1 | THROTTLE LEVER ASSY | 1 | 21 | 5300948-30/3 | SPRING | 1 |
| 08 | 5300692-52/1 | T HANDLE KIT | 1 | 22 | 5300948-27/9 | RELEASE BUTTON | 1 |
| 09 | 5300692-49/7 | SHIELD KIT ASSY | 1 | 23 | 5195197-00/8 | SPOOL & LINE | 1 |
| 10 | 5300153-37/5 | SCREW | 1 | 24 | 5300948-28/7 | COVER | 1 |
| 11 | 5300945-70/5 | LINE LIMITER | 1 | 25 | 5300291-59/7 | SHAFT WARNING LABEL | 1 |
| 12 | 5300156-53/5 | LOCKNUT | 1 | 26 | 5300947-42/0 | CLAMP | 1 |
| 13 | 5300936-53/0 | SHIELD BRACKET | 1 | 27 | 5300947-83/4 | THROTTLE GUARD | 1 |
| 14 | 5300922-43/1 | SCREW | 2 | 28 | 5300158-27/5 | SPACER | 2 |

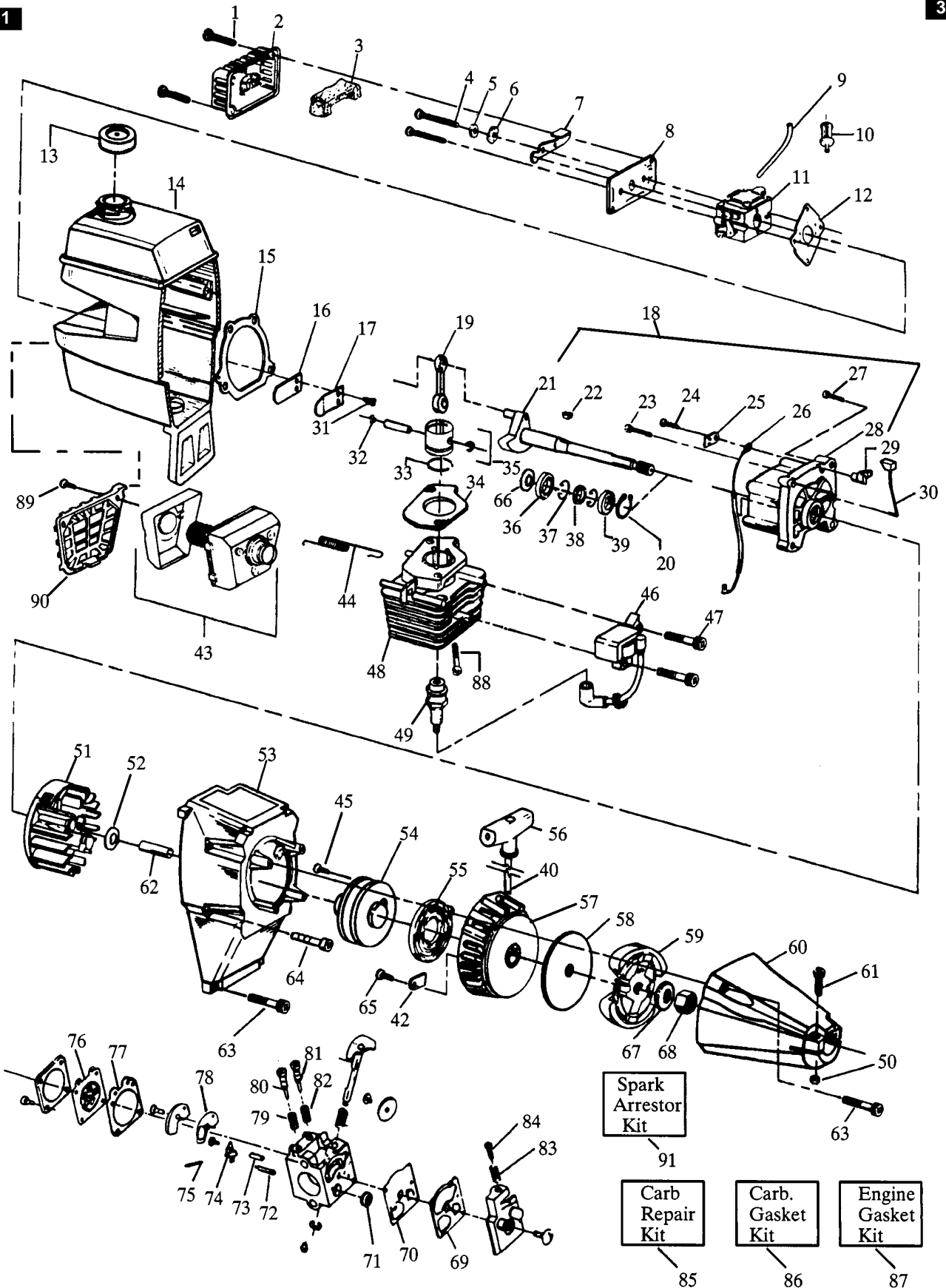
Flymo

MODEL

Maxi trim 430 Type II

PRODUCT NO.

9527152-79



| | |
|-------------|-----------------------|
| MODEL | Maxi trim 430 Type II |
| PRODUCT NO. | 9527152-79 |

| KEY PART NUMBER | DESCRIPTION | QTY | KEY PART NUMBER | DESCRIPTION | QTY | | |
|-----------------|--------------|-------------------------|-----------------|-------------|--------------|----------------------------|---|
| 01 | 5300157-73/1 | SCREW | 2 | 62 | 5300275-11/1 | SPACER | 1 |
| 02 | 5300275-29/3 | AIR FILTER COVER | 1 | 63 | 5300157-70/7 | SCREW | 1 |
| 03 | 5300275-30/1 | AIR FILTER | 1 | 64 | 5300157-69/9 | SCREW | 1 |
| 04 | 5300158-49/9 | SCREW | 2 | 65 | 5300154-96/9 | SCREW | 1 |
| 05 | 5300158-52/3 | SPACER | 1 | 66 | 5300157-88/9 | SPACER | 1 |
| 06 | 5300152-54/2 | WAVE WASHER | 1 | 67 | 5300157-96/2 | WASHER | 1 |
| 07 | 5300275-26/9 | CHOKE SHUTTER | 1 | 68 | 5300017-33/1 | NUT | 1 |
| 08 | 5300275-27/7 | AIR FILTER PLATE | 1 | 69 | 5300351-64/9 | PUMP GASKET | 1 |
| 09 | 5300692-47/1 | FUEL LINE KIT | 1 | 70 | 5300351-66/4 | PUMP DIAPHRAGM | 1 |
| 10 | 5300143-62/4 | FUEL FILTER | 1 | 71 | 5300351-78/9 | INLET SCREEN | 1 |
| 11 | 5300352-59/7 | CARBURETOR | 1 | 72 | 5300351-06/0 | INLET NEEDLE VALVE | 1 |
| 12 | 5300191-56/5 | CARBURETOR GASKET | 1 | 73 | 5300351-88/8 | METERING LEVER SPRING | 1 |
| 13 | 5300143-47/5 | FUEL CAP ASSY | 1 | 74 | 5300350-31/0 | LEVER METERING | 1 |
| 14 | 5300290-15/1 | SHROUD & TANK ASSY | 1 | 75 | 5300350-28/6 | PIN METERING | 1 |
| 15 | 5300191-54/0 | CRANKCASE/SHROUD GASKET | 1 | 76 | 5300350-14/6 | METERING DIAPHRAGM | 1 |
| 16 | 5300275-93/9 | REED VALVE | 1 | 77 | 5300351-51/6 | METERING DIAPHRAGM GASKET | 1 |
| 17 | 5300275-94/7 | REED STOP | 1 | 78 | 5300351-47/4 | CIRCUIT PLATE GASKET | 2 |
| 18 | 5300140-15/8 | CRANKCASE/SHAFT | 1 | 79 | 5300350-36/9 | HIGH SPEED NEEDLE SPRING | 1 |
| 19 | 5300109-60/9 | CONNECTING ROD ASSY | 1 | 80 | 5300351-42/5 | HIGH SPEED NEEDLE | 1 |
| 20 | 5300157-89/7 | RETAINING RING | 1 | 81 | 5300351-41/7 | IDLE NEEDLE | 1 |
| 21 | 5300109-34/4 | CRANKSHAFT ASSY | 1 | 82 | 5300350-23/7 | IDLE NEEDLE SPRING | 1 |
| 22 | 5300151-26/2 | FLYWHEEL KEY | 1 | 83 | 5300352-08/4 | IDLE SPEED SPRING | 1 |
| 23 | 5300157-72/3 | SCREW | 1 | 84 | 5300352-03/5 | IDLE SPEED SCREW | 1 |
| 24 | 5300157-80/6 | SCREW | 1 | 85 | 5300352-60/5 | CARB KWIK REPAIR KIT | 1 |
| 25 | 5300275-46/7 | SWITCH INSULATOR | 1 | 86 | 5300351-85/4 | CARB. GASKET/DIAPHRAGM KIT | 1 |
| 26 | 5300275-47/5 | LEAD WIRE | 1 | 87 | 5300692-76/0 | ENGINE GASKET KIT | 1 |
| 27 | 5300157-71/5 | SCREW | 1 | 88 | 5300152-39/3 | SCREW | 1 |
| 28 | 5300140-16/6 | CRANKCASE ASSY | 1 | 89 | 5300157-17/8 | SCREW | 1 |
| 29 | 5300275-45/9 | SWITCH RAMP | 1 | 90 | 5300277-81/0 | MUFFLER GUARD | 1 |
| 30 | 5300275-43/4 | SWITCH SPRING ASSY | 1 | 91 | 9527016-12/6 | SPARK ARRESTOR KIT | 1 |
| 31 | 5300152-41/9 | SCREW | 1 | | | | |
| 32 | 5300151-62/7 | PISTON PIN RETAINER | 1 | | | | |
| 33 | 5300258-75/2 | RING PISTON | 1 | | | | |
| 34 | 5300191-78/9 | GASKET CYLINDER | 1 | | | | |
| 35 | 5300692-75/2 | PISTON KIT | 1 | | | | |
| 36 | 5300321-03/0 | INNER BEARING | 1 | | | | |
| 37 | 5300157-87/1 | RETAINING RING | 2 | | | | |
| 38 | 5300191-58/1 | CRANKSHAFT SEAL | 1 | | | | |
| 39 | 5300321-02/2 | BEARING OUTER | 1 | | | | |
| 40 | 5300692-32/3 | ROPE KIT | 1 | | | | |
| 42 | 5300275-23/6 | RETAINER | 1 | | | | |
| 43 | 5300692-57/0 | MUFFLER KIT | 1 | | | | |
| 44 | 5300364-09/7 | SPRING | 1 | | | | |
| 45 | 5300158-23/4 | SCREW | 1 | | | | |
| 46 | 5300391-34/8 | IGNITION MODULE | 1 | | | | |
| 47 | 5300151-28/8 | SCREW | 2 | | | | |
| 48 | 5300122-35/4 | CYLINDER | 1 | | | | |
| 49 | 5300300-58/8 | SPARK PLUG RCJ-8 | 1 | | | | |
| 50 | 5300157-68/1 | LOCKNUT | 1 | | | | |
| 51 | 5300391-36/3 | FLYWHEEL ASSY | 1 | | | | |
| 52 | 5303479-87/6 | WASHER | 1 | | | | |
| 53 | 5300275-17/8 | FAN HOUSING | 1 | | | | |
| 54 | 5300692-91/9 | STARTER PULLEY KIT | 1 | | | | |
| 55 | 5300293-95/7 | STARTER SPRING | 1 | | | | |
| 56 | 5300275-69/9 | STARTER HANDLE | 1 | | | | |
| 57 | 5300109-61/7 | PULLEY HOUSING ASSY | 1 | | | | |
| 58 | 5300941-89/4 | CLUTCH WASHER | 1 | | | | |
| 59 | 5300692-54/7 | CLUTCH ASSY KIT | 1 | | | | |
| 60 | 5300109-64/1 | CLUTCH HOUSING | 1 | | | | |
| 61 | 5300157-67/3 | SCREW | 1 | | | | |

WHERE NO APPLICATION DETAILS ARE SHOWN, PART APPLIES TO ALL COUNTRIES

A Austria; AUS Australia; B Belgium; CND Canada; CH Switzerland; D Germany; DK Denmark; E Spain; EI Eire; F France; GB Great Britain; I Italy; N Norway; NL Netherlands; NZ New Zealand; O/S Overseas; P Portugal; S Sweden; SF Finland; USA America; ZA South Africa