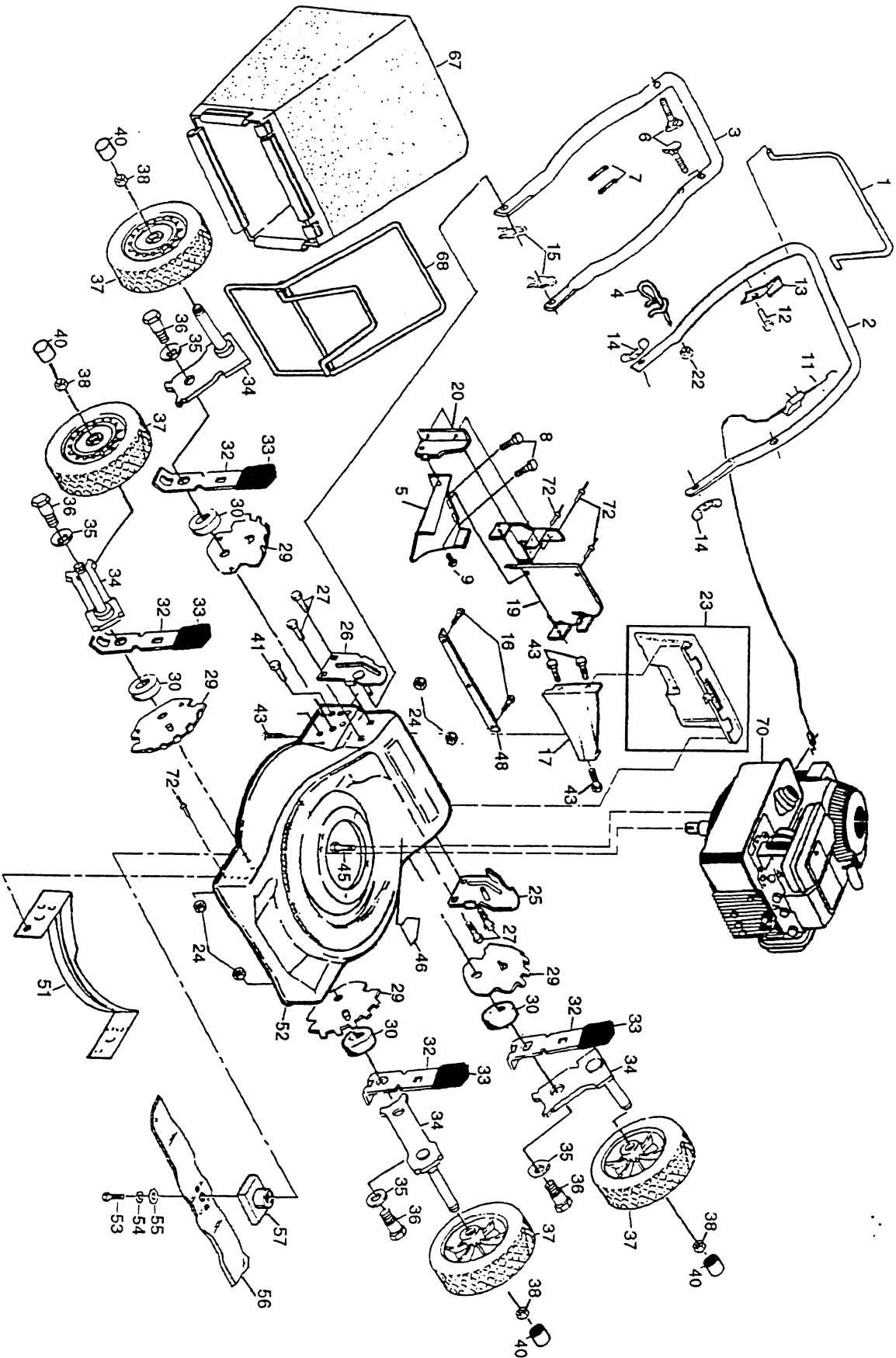


# REPAIR PARTS

## ROTARY MOWER MODEL NO. BMP350ABA



# REPAIR PARTS

## ROTARY MOWER MODEL NO. BMP350A8A

KEY PART NO.	DESCRIPTION	KEY PART NO.	DESCRIPTION
1	Control Bar	34	Axle Arm Assembly
2	Upper Handle	35	Belleville Washer
3	Lower Handle	36	Shoulder Bol
4	Rope Guide	37	Wheel Assembly
5	Discharge Baffle	38	Nut
6	Handle Bolt	40	Hubcap
7	Wire Tie	41	Hubcap
8	Screw	41	Hinge Screw
9	Screw	43	Hex Tapping Screw 1/4-20 x 1/2
11	Screw	45	Hex Head Thread Rolling Screw
12	Engine Zone Control Cable	46	Danger Decal
13	Hex Washer Head Screw #10-24 x 1/2	48	Foot Guard
14	Up-Stop Bracket	48	Foot Guard
15	Wing Nut	51	Front Baffle Kit
16	Hairpin Cotter	51	Housing Assembly (Incl. Ref. #46)
17	Screw	52	Hex Head Screw 3/8-24 x 1-3/8 Grd. 8
19	Rear Baffle	53	Helical Lockwasher
19	Back Plate	54	Hardened Washer
20	Side Baffle	55	20" Blade
22	Locknut 1/4-20	56	Blade Adapter
23	Rear Door Assembly Kit (Incl. Ref. # 59)	57	Grass Bag
24	Nut 3/8-16	67	Catcher Frame
25	Handle Bracket Assembly (Left)	68	* Engine - Briggs & Stratton 9D902
26	Handle Bracket Assembly (Right)	70	Operator's Manual (EURO)
27	Screw	72	Replacement Parts Manual
29	Wheel Adjusting Bracket	--	Available accessories not included with mower:
30	Spacer	--	MA36
32	Selector Spring	--	Clipping Deflector
33	Selector Knob	--	MK20FRD

\*These parts must be purchased through an authorized Briggs and Stratton dealer.