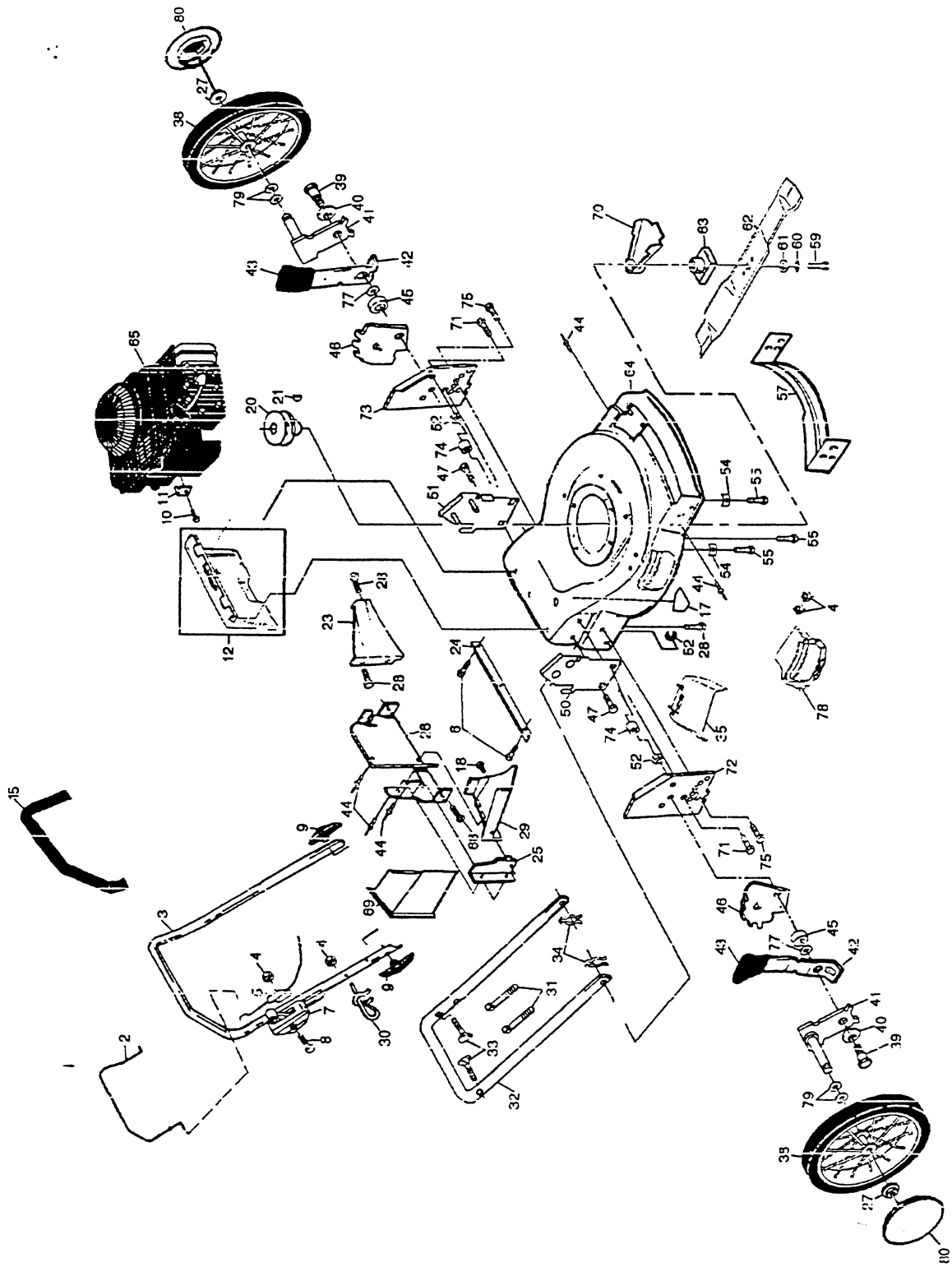


REPAIR PARTS

ROTARY LAWN MOWER -- MODEL NO. BM6TGR31A



REPAIR PARTS

ROTARY LAWN MOWER - - MCODEL NO. BM6TGR31A

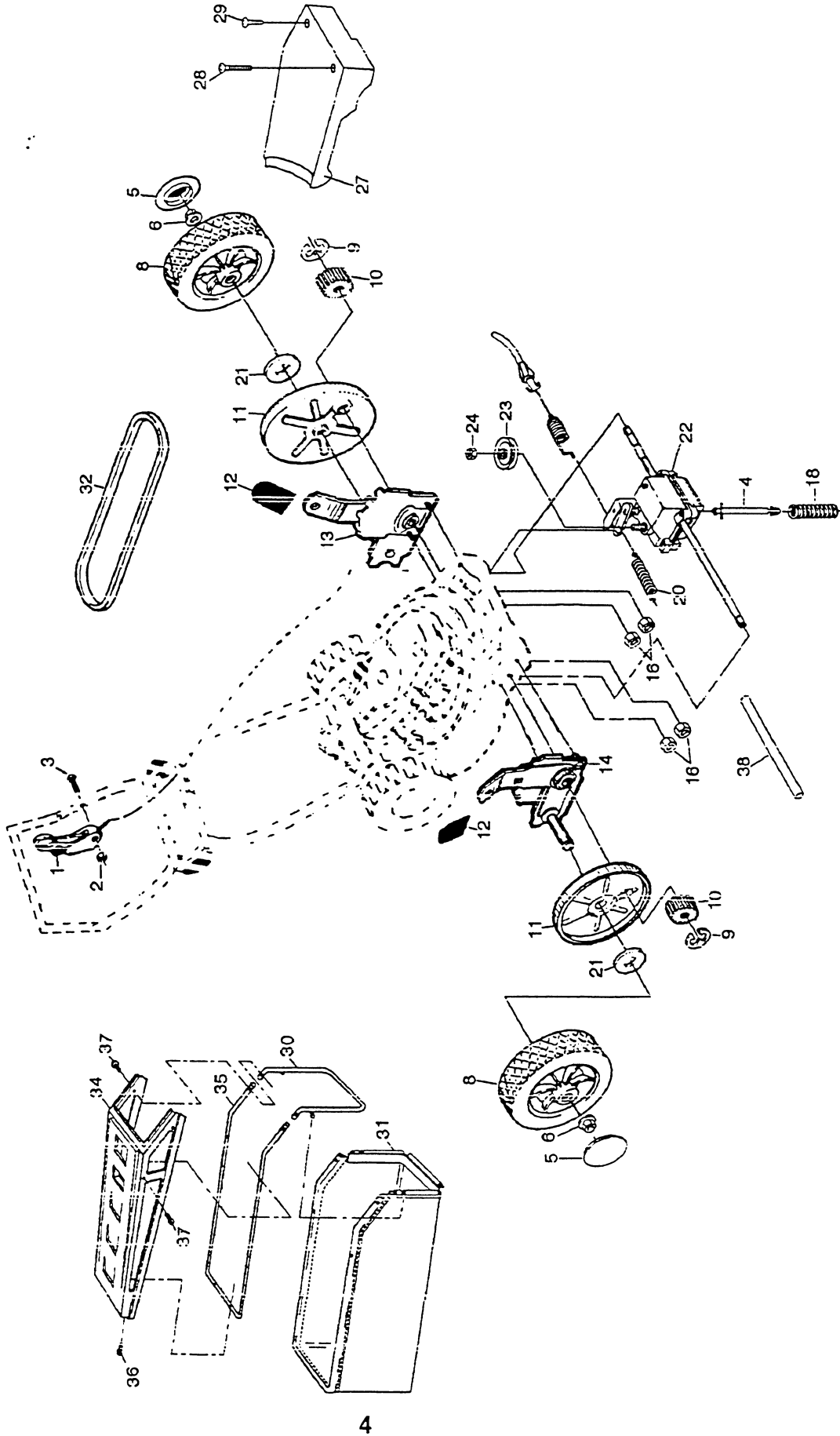
KEY NO.	PART NO.	DESCRIPTION	KEY NO.	PART NO.	DESCRIPTION
2	145794	Control Bar	45	146630	Spacer
3	165542	Upper Handle	46	700325X007	Wheel Adjusting Bracket
4	63601	Locknut	47	150078	Self-tapping Screw 5/16-18 x 3/4
5	130861	Engine Zone Control Cable	50	701921X479	Handle Bracket (Right)
6	146694	Screw (Foot Guard)	51	701923X479	Handle Bracket (Left)
7	700417	Throttle Control	52	751592	Locknut 3/8-16
8	144929	Hex Washer Head Screw 1/4-20 x 2-1/4	54	851201X004	Engine Washer
9	136376	Handle Knob	55	150406	Hex Head Thread Rolling Screw 3/8-16 x 1-1/8
10	63816	Screw #10 x 5/8	57	165546	Front Baffle
11	111190X	Cable Clamp (Engine)	59	851084	Hex Head Machine Screw 3/8-24 x 1-3/8 Gr. 8
12	147615	Rear Door Kit	60	850263	Helical Lock Washer
15	164265	Foam Grip	61	851074	Hardened Washer
17	145494	Danger Decal	62	141114	Blade 22"
18	150050	Screw	63	851514	Blade Adapter
20	64596	Engine Pulley	64	167738	Lawn Mower Housing Kit (Includes Key No. 17)
21	67677	Hi Pro Key #505	65	-----	* Engine - Briggs & Stratton Model No. 12H302
23	133040X479	Baffle, Rear			Order parts from engine manufacturer
24	146143X479	Foot Guard	68	88652	Hinge Screw
25	700365X479	Side Baffle	69	166649	Mulcher Plug
26	156380X479	Back Plate	70	134612	Debris Shield
27	63923	Flanged Locknut	71	149586	Thread Cutting Screw 5/16 - 18 x 1-1/5
28	54583	Screw Hex Head 1/4-20 x 1/2	72	700170X558	Support Bracket (RH)
29	133190X479	Discharge Baffle	73	700172X558	Support Bracket (LH)
30	132001	Rope Guide	74	73713	Spacer
31	66426	Wire Tie	75	74760612	Bolt
32	151721x479	Lower Handle	77	88348	Flat Washer
33	131959	Handle Bolt	78	148195	Combi-cut Door
34	51793	Hairpin Cotter	79	57143	Wave Washer
35	145285	Clip-on Discharge Deflector	80	150635	Hubcap
38	151138	Wheel & Tire Assembly	- -	167567	Operator's Manual(Euro)
39	142748	Shoulder Bolt	- -	167568	Replacement Parts Manual
40	61651	Spring Washer			
41	750913X479	Axle Arm			
42	700331X004	Selector Spring			
43	67877	Selector Knob			
44	128415	Pop Rivet			

3

* These parts must be purchased through an authorized Briggs & Stratton dealer.

REPAIR PARTS

ROTARY LAWN MOWER -- MODEL NO. BM6TGR31A



REPAIR PARTS

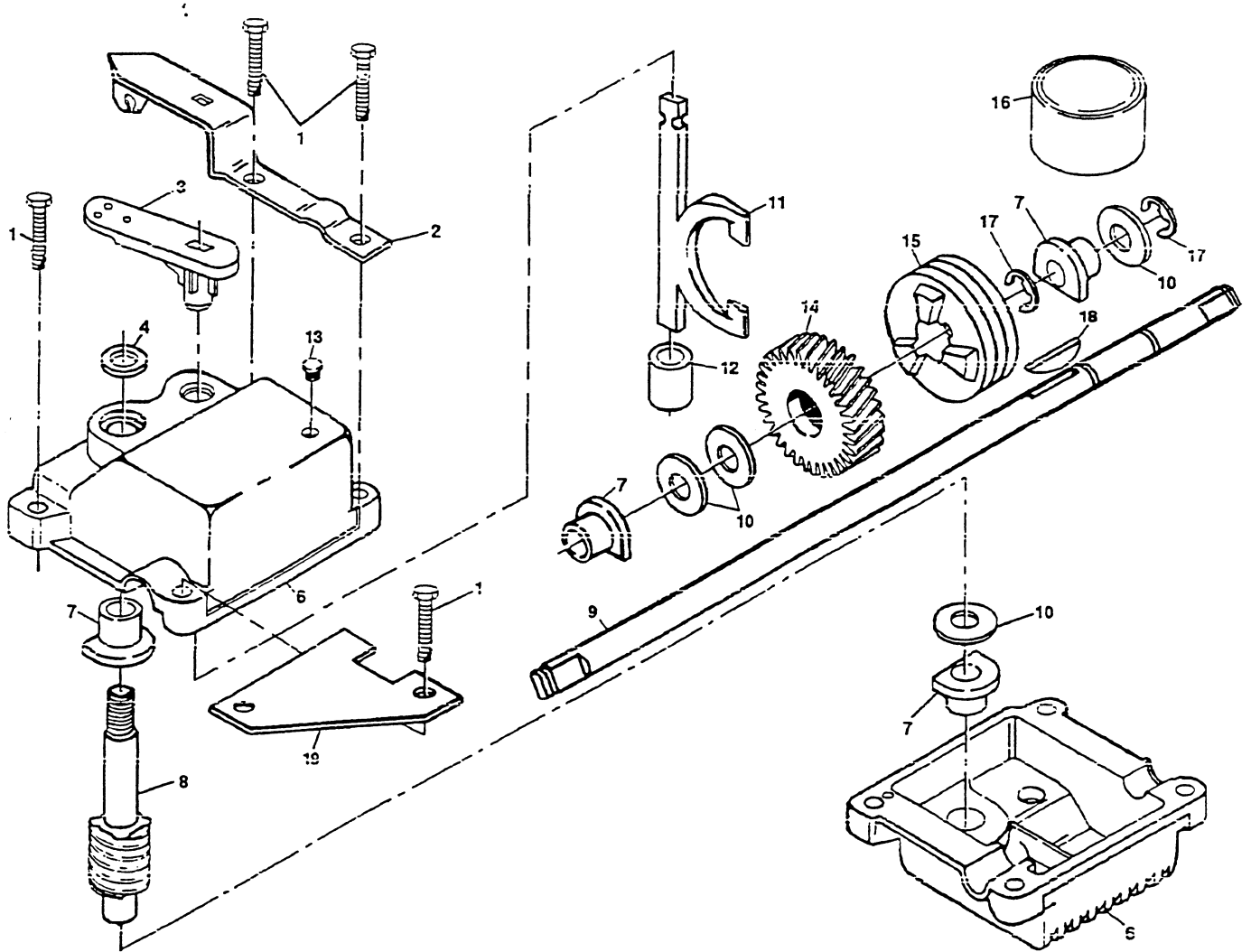
ROTARY LAWN MOWER - - MODEL NO. BM6TGR31A

KEY NO.	PART NO.	DESCRIPTION	KEY NO.	PART NO.	DESCRIPTION
1	146323	Drive Control	21	67725	Washer 1/2 x 1-1/2 x .134
2	751152	Locknut #10-24	22	702511	Gear Case Assembly
3	158755	Hex Washer Hd Screw #10-24 x 2-1/8	23	137052	Drive Pulley
4	150495	Spring Retainer	24	132010	Locknut
5	150182	Hubcap	27	137081	Drive Cover
6	145212	Flanged Locknut	28	146072	Pan Head Tapping Screw #10-24 x 2-3/4
8	150340	Wheel & Tire Assembly	29	149746	Pan Head Tapping Screw #10-24 x 1-3/4
9	12000058	E-ring	30	851735	Catcher Frame
10	137054	Pinion	31	167569	Grass Bag
11	88080	Dust Cover	32	146527	V-Belt
12	87877	Selector Knob	34	851739	Catcher Top
13	151521	Wheel Adjuster Assembly (Left)	35	851658	Tube Catcher
14	151520	Wheel Adjuster Assembly (Right)	36	131029	Screw-Hex Washer #10-24 x .680
16	63601	Locknut	37	750634	Screw Threads Roll #10-24 x 1/2
18	137090	Spring	38	86012	Drive Shaft Cover
20	75192	Spring			

REPAIR PARTS

POWER PROPELLED LAWN MOWER - - MODEL NO. BM6TGR31A

GEAR CASE ASSEMBLY PART NUMBER 702511



KEY NO.	PART NO.	DESCRIPTION
1	17490416	Tapping Screw 1/4-20 x 1-1/4
2	137055X004	Engagement Bracket
3	137053	Shifter
4	57072	Seal
6	48373	Gear Case Halves Kit (Includes Key Nos. 4, 5, and 7)
7	77881	Bearing
8	137051	Worm Shaft
9	137074	Drive Shaft
10	57079	Hardened Washer

KEY NO.	PART NO.	DESCRIPTION
11	131484	Clutch Yoke
12	700343	Bushing
13	86447	Plug
14	137050	Helical Gear
15	750436X	Clutch Jaw
16	750369	Grease
17	12000003	E-Ring
18	850848	Hi-Pro Key
19	81585X004	Spring Bracket

NOTE: All component dimensions given in U.S. inches.
1 inch = 25.4 mm