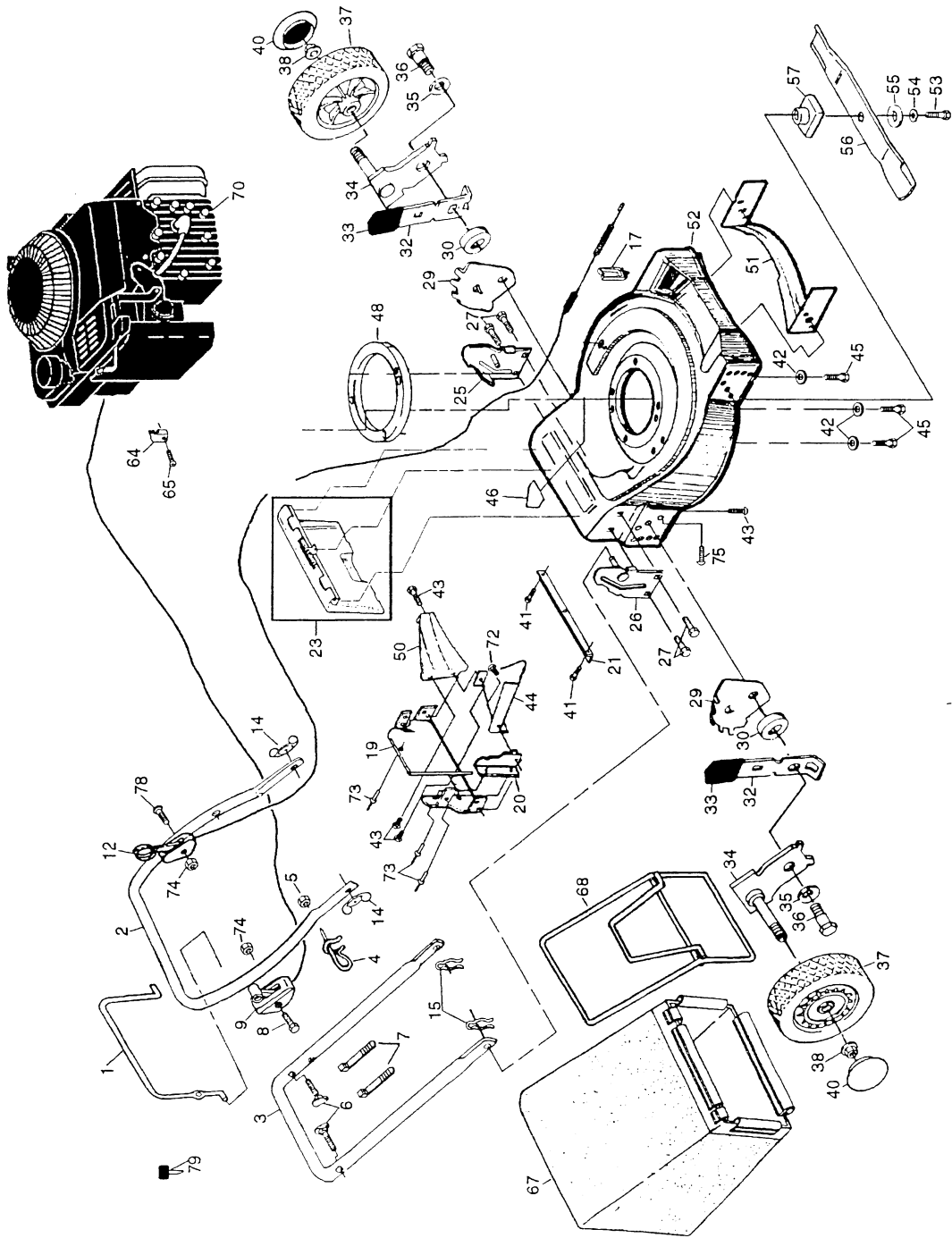


# REPAIR PARTS

## ROTARY MOWER MODEL NO. BM4TDEA



# REPAIR PARTS

## ROTARY MOWER MODEL NO. BM4TDEA

| KEY NO. | PART NO.   | DESCRIPTION                         | KEY NO. | PART NO.   | DESCRIPTION                               |
|---------|------------|-------------------------------------|---------|------------|---|
| 1       | 145793     | Control Bar                         | 42      | 53998      | Flat Washer                               |
| 2       | 165451X479 | Upper Handle                        | 43      | 54583      | Hex Tapping Screw 1/4-20 x 1/2            |
| 3       | 157081X479 | Lower Handle                        | 44      | 133188X479 | Discharge Baffle                          |
| 4       | 132001     | Rope Guide                          | 45      | 850999     | Hex Head Thread Rolling Screw 3/8-16 x 2  |
| 5       | 63601      | Locknut 1/4-20                      | 46      | 145494     | Danger Decal                              |
| 6       | 131959     | Handle Bolt                         | 48      | 850988     | Engine Spacer                             |
| 7       | 66426      | Cable Tie                           | 50      | 700063X479 | Rear Baffle                               |
| 8       | 144929     | Hex Washer Head Screw 1/4-20 x 2.12 | 51      | 165545     | Front Baffle Kit                          |
| 9       | 148981     | Combi Key Control                   | 52      | 167730     | Housing Assembly (Incl. Ref. #46)         |
| 12      | 158742     | Drive Control                       | 53      | 851084     | Hex Head Bolt 3/8-24 x 1-3/8 Grd. 8       |
| 14      | 128638     | Wing Nut                            | 54      | 850263     | Helical Lock Washer                       |
| 15      | 51793      | Hairpin Cotter                      | 55      | 851074     | Hardened Washer                           |
| 17      | 145669     | Drive Cable Guide                   | 56      | 145106     | 20" Blade                                 |
| 19      | 156445X479 | Back Plate                          | 57      | 851514     | Blade Adapter                             |
| 20      | 700363X479 | Side Baffle                         | 64      | 111190X    | Clamp                                     |
| 21      | 146143X479 | Foot Guard                          | 65      | 83816      | Screw                                     |
| 23      | 147613     | Rear Door Assembly Kit              | 67      | 147270     | Grass Bag                                 |
| 25      | 151589X479 | Handle Bracket Assembly (Left)      | 68      | 750532     | Catcher Frame                             |
| 26      | 151588X479 | Handle Bracket Assembly (Right)     | 70      | .....      | * Engine - Briggs Model 12H887            |
| 27      | 150078     | Screw 5/16-18 x 3/4                 |         |            | Order parts from engine manufacturer      |
| 29      | 750085X007 | Wheel Adjusting Bracket             | 72      | 150050     | Hex Washer Head Screw #10-16 x .50        |
| 30      | 146630     | Spacer                              | 73      | 128415     | Pop Rivet                                 |
| 32      | 700331X004 | Selector Spring                     | 74      | 751152     | Nut                                       |
| 33      | 87877      | Selector Knob                       | 75      | 88652      | Screw                                     |
| 34      | 145935X004 | Axle Arm Assembly                   | 76      | 751592     | Nut                                       |
| 35      | 62335      | Belleville Washer                   | 78      | 158755     | Screw                                     |
| 36      | 142748     | Shoulder Bolt 3/8-16                | 79      | 122147X    | Key                                       |
| 37      | 148438     | Wheel & Tire Assembly               | --      | 167728     | Operator's Manual (Euro)                  |
| 38      | 83923      | Flanged Locknut                     | --      | 167729     | Replacement Parts Manual (English/French) |
| 40      | 77400      | Hubcap                              | --      | 800197     | Noise Level Decal                         |
| 41      | 146694     | Screw                               | --      | 145495     | International Symbols Decal               |
|         |            |                                     | --      | 161057     | Warning Decal (Not Shown)                 |



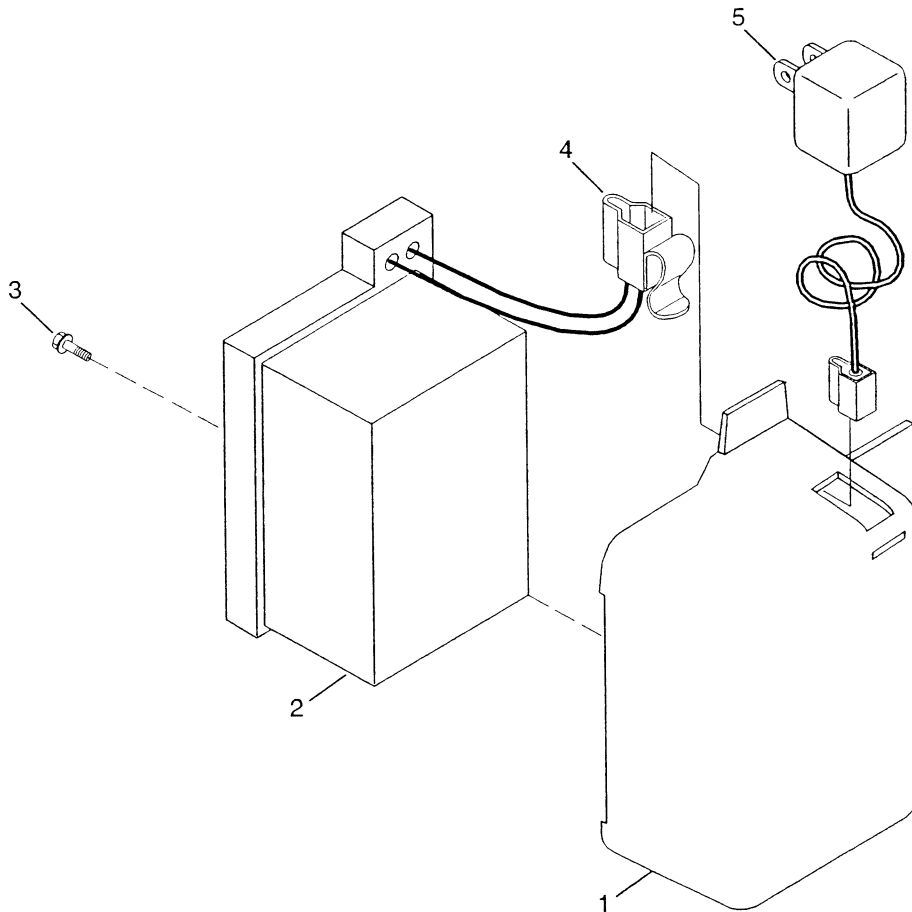
# REPAIR PARTS

## ROTARY LAWN MOWER -- MODEL NO. BM4TDEA

| KEY NO. | PART NO.   | DESCRIPTION                          | KEY NO.  | PART NO. | DESCRIPTION                       |
|---------|------------|--------------------------------------|--|----------|-----------------------------------|
| 1       | 141912     | Hex Washer Head Screw #10-24 x 1/2   | 21   | 152018   | Adjuster Assembly (Left)          |
| 2       | 154049     | Drive Cover                          | 22   | 152019   | Adjuster Assembly (Right)         |
| 3       | 701477     | Pushin Fastener                      | 24   | 88080    | Dust Cover                        |
| 4       | 164795     | Drive Pawl                           | 25   | 67725    | Washer                            |
| 5       | 88043      | Drive Pulley                         | 27   | 750124   | Wheel & Tire Assembly             |
| 6       | 12000030   | Retaining Ring                       | 28   | 145212   | Flanged Locknut                   |
| 7       | 54583      | Screw 1/4-20 x 1/2                   | 29   | 85179    | Retainer Clip                     |
| 8       | 851947X004 | Clutch Frame                         | 30   | 77400    | Hubcap                            |
| 9       | 50962      | Locknut 1/4-20                       | 31   | 12000058 | E-Ring                            |
| 10      | 702631X004 | Clutch Lever                         | 32   | 137054   | Pinion                            |
| 11      | 88067      | Clutch Lever Spacer                  | 33   | 63601    | Locknut 1/4-20                    |
| 12      | 750253     | Locknut 5/16-18                      | 34   | 700537   | Drive Shaft                       |
| 13      | 72070504   | Carriage Bolt 5/16-18 x 1/2          | 35   | 88082    | Driven Pulley                     |
| 14      | 74350424   | Hex Head Screw 1/4-20 x 1-1/2        | 36   | 111924X  | Drive Belt                        |
| 15      | 88069      | Spacer                               | --   | 852000   | "Clean Under" Decal (Drive Cover) |
| 16      | 48160      | Idler Assembly (Includes Key No. 17) | Available accessories not included with mower: |          |                                   |
| 17      | 88576      | Idler Spacer                         | --   | MA36     | Chute Deflector                   |
| 18      | 88517      | Shoulder Bolt 5/16-18 x 1-3/8        | --   | MK20FRD  | Mulcher                           |
| 19      | 88516      | Idler Pulley                         |  |          |                                   |
| 20      | 87877      | Selector Knob                        |  |          |                                   |

# REPAIR PARTS

## ROTARY MOWER MODEL NUMBER BM4TDEA



| KEY NO. | PART NO. | DESCRIPTION                        |
|---------|----------|------------------------------------|
| 1       | 157553   | Battery Box                        |
| 2       | 750909   | Battery                            |
| 3       | 17411312 | Hex Washer Head Screw<br>13 x .750 |
| 4       | 86353    | Connector Mounting Clip            |
| 5       | 130024   | Battery Charger                    |