



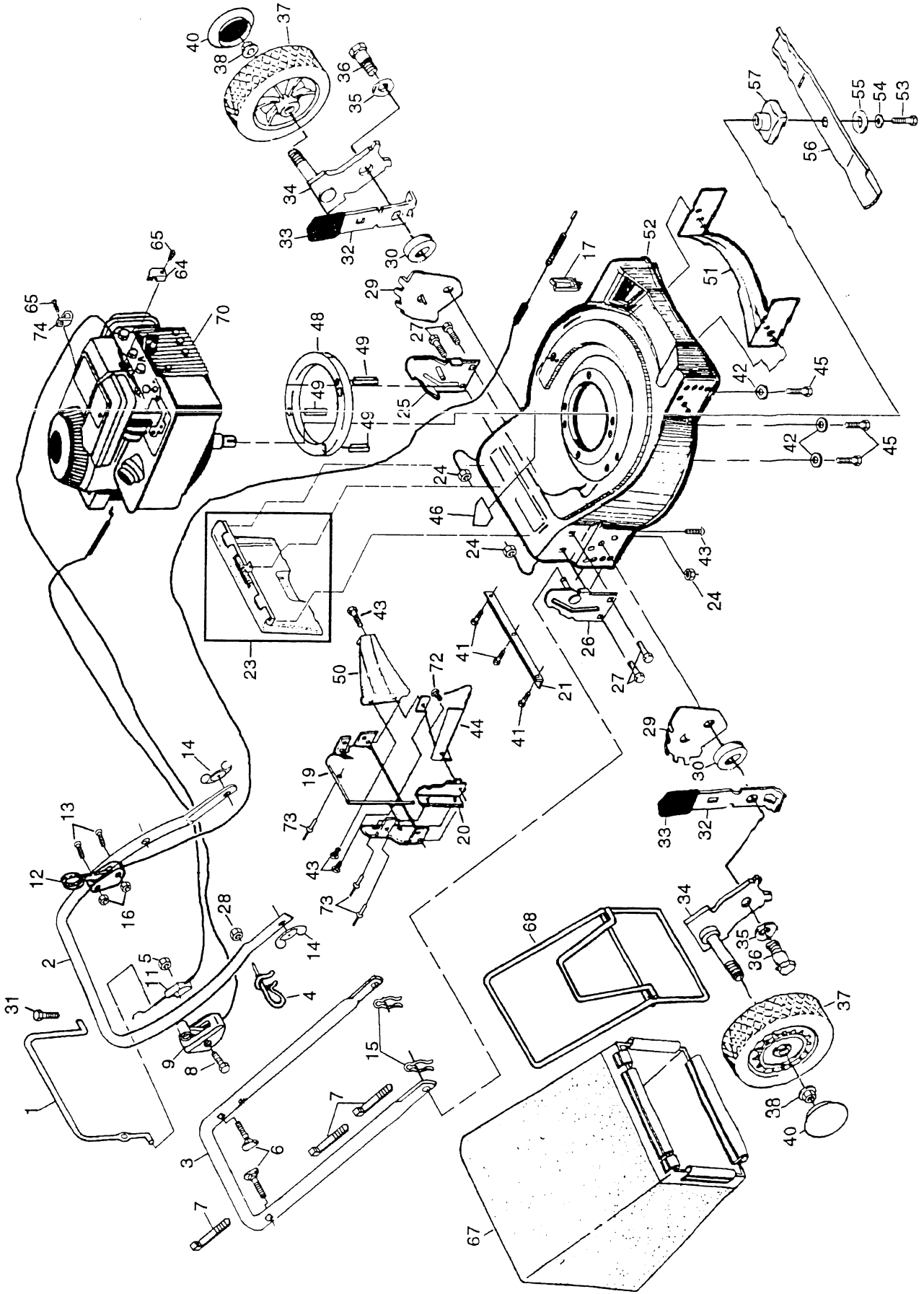
**REPAIR PARTS MANUAL**  
**MODEL NO. BM2Q679D**  
**Lawn Mower**

---

***BESTGREEN***

# REPAIR PARTS

## ROTARY MOWER MODEL NO. BM2Q679D



# REPAIR PARTS

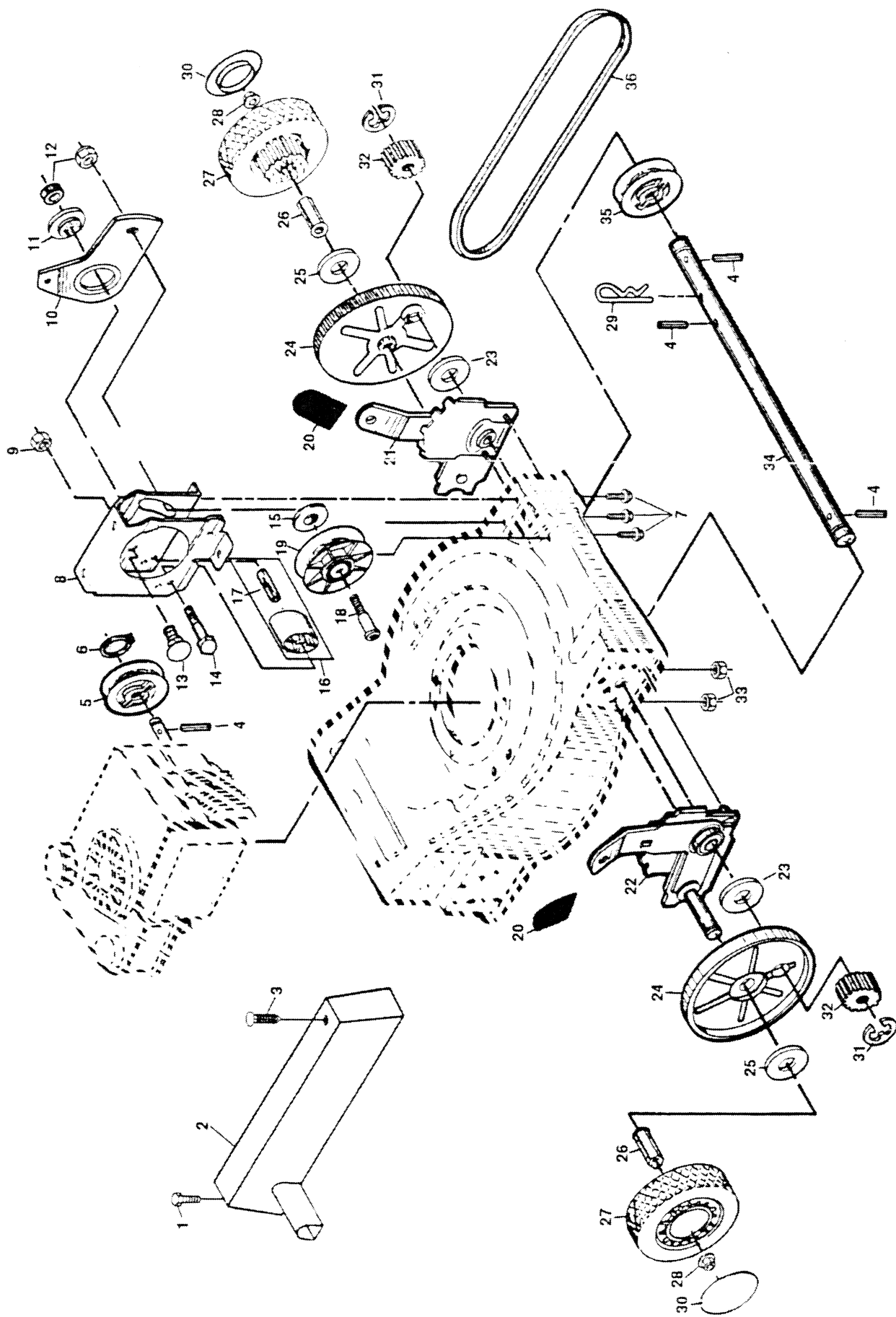
## ROTARY MOWER MODEL NO. BM2Q679D

KEY NO.	PART NO.	DESCRIPTION	KEY NO.	PART NO.	DESCRIPTION
1	132570	Control Bar	38	83923	Flanged Locknut
2	132670X479	Upper Handle	40	77400	Hubcap
3	134081X479	Lower Handle	41	146694	Screw
4	132001	Rope Guide	42	53998	Flat Washer
5	63601	Locknut 1/4-20	43	54583	Hex Tapping Screw 1/4-20 x 1/2
6	131959	Handle Bolt	44	133188X479	Discharge Baffle
7	66426	Cable Tie	45	850999	Hex Head Thread Rolling Screw 3/8-16 x 2
8	144929	Hex Washer Head Screw 1/4-20 x 2.12	46	145494	Danger Decal
9	851462	Throttle Control	48	850988	Engine Spacer
11	130861	Engine Zone Control Cable	49	850987	Engine Bushing
12	702734	Drive Control	50	700063X479	Rear Baffle
13	750029	Pan Head Machine Screw #10-24 x 2	51	701640X479	Front Baffle
14	128638	Wing Nut	52	149159	Housing Assembly (Incl. Ref. #46)
15	51793	Hairpin Coller	53	851084	Hex Head Bolt 3/8-24 x 1-3/8 Grd. 8
16	69180	Locknut #10-24	54	850263	Helical Lock Washer
17	145669	Drive Cable Guide	55	851074	Hardened Washer
19	145854X479	Back Plate	56	145106	20" Blade
20	700363X479	Side Baffle	57	851514	Blade Adapter
21	146143X479	Foot Guard	64	213146	Cable Clamp
23	147613	Rear Door Assembly Kit	65	83816	Screw #10 x 5/8
24	751592	Locknut 3/8-16	67	149619	Grass Bag
25	700913X479	Handle Bracket Assembly (Left)	68	149555	Catcher Frame
26	700915X479	Handle Bracket Assembly (Right)	70	-----	* Engine - Briggs & Stratton - Model No. 98982
27	55187	Screw 5/16-18 x 3/4	72	86344	Self Tapping Screw #10-24 x 1/2
28	73510400	Locknut 5/16-18	73	128415	Pop Rivet
29	700325X007	Wheel Adjusting Bracket	74	87930	Cable Clip
30	84920	Spacer	--	146983	Operator's Manual (English)
31	851552	Self-Tapping Screw #10-24 x 5/8	--	146784	Operator's Manual (French)
32	700331X004	Selector Spring	--	149874	Replacement Parts Manual (English/French)
33	87877	Selector Knob	--	800197	Noise Level Decal
34	145935X004	Axle Arm Assembly	--	145495	International Symbols Decal
35	62335	Belleville Washer	--	702310	Muffler Guard
36	142748	Shoulder Bolt 3/8-16	--	81283	Screw
37	146247	Wheel & Tire Assembly			

\* These parts must be purchased through an authorized Briggs and Stratton dealer.

# REPAIR PARTS

## ROTARY LAWN MOWER -- MODEL NO. BM2Q679D



# REPAIR PARTS

## ROTARY LAWN MOWER -- MODEL NO. BM2Q679D

KEY NO.	PART NO.	DESCRIPTION	KEY NO.	PART NO.	DESCRIPTION
1	141912	Hex Washer Head Screw #10-24 x 1/2	21	148493	Adjuster Assembly (Left)
2	701459	Drive Cover	22	148492	Adjuster Assembly (Right)
3	701477	Push Fastener	23	88118	Felt Washer
4	851980	Drive Pawl	24	88080	Dust Cover
5	88043	Drive Pulley	25	67725	Washer
6	12000030	Retaining Ring	26	88446	Wheel Bushing
7	54583	Screw 1/4-20 x 1/2	27	700953	Wheel & Tire Assembly
8	851947X004	Clutch Frame	28	145212	Flanged Locknut
9	50962	Locknut 1/4-20	30	77400	Hubcap
10	702631X004	Clutch Lever	31	12000058	E-Ring
11	88067	Clutch Lever Spacer	32	137054	Pinion
12	750253	Locknut 5/16-18	33	63601	Locknut 1/4-20
13	72070504	Carriage Bolt 5/16-18 x 1/2	34	700537	Drive Shaft
14	74350424	Hex Head Screw 1/4-20 x 1-1/2	35	88082	Driven Pulley
15	88069	Spacer	36	111924X	Drive Belt
16	48160	Idler Assembly (Includes Key No. 17)	--	852000	"Clean Under" Decal (Drive Cover)
17	88576	Idler Spacer	Available accessories not included with mower:		
18	88517	Shoulder Bolt 5/16-18 x 1-3/8	--	MA36	Chute Deflector
19	88516	Idler Pulley	--	MK20FRD	Mulcher
20	87877	Selector Knob			

**CONGRATULATIONS** on your purchase of a new lawn mower. Your lawn mower has been designed, engineered and manufactured to give you the best possible dependability and performance.

## LIMITED WARRANTY

The Manufacturer warrants to the original consumer purchaser that this product as manufactured is free from defects in materials and workmanship. For a period of one (1) year from date of purchase by the original consumer purchaser, we will repair or replace, at our option, without charge for parts or labor incurred in replacing parts, any part which we find to be defective due to materials or workmanship. This Warranty is subject to the following limitations and exclusions.

1. This warranty does not apply to the engine, transaxle/transmission components, battery (except as noted below) or components parts thereof. Please contact your nearest Bricomarché dealer where they will send the machine to the engine, transaxle/transmission manufacturer.
2. Transportation charges for the movement of any power equipment unit or attachment are the responsibility of the purchaser. Transportation charges for any parts submitted for replacement under this warranty must be paid by the purchaser unless such return is requested by American Yard Products.
3. **Battery Warranty:** On products equipped with a Battery, we will replace, without charge to you, any battery which we find to be defective in manufacture, during the first ninety (90) days of ownership. After ninety (90) days, we will exchange the Battery, charging you 1/12 of the price of a new Battery for each full month from the date of the original sale. Battery must be maintained in accordance with the instructions furnished.
4. The Warranty period for any products used for rental or commercial purposes is limited to 45 days from the date of original purchase.
5. This Warranty applies only to products which have been properly assembled, adjusted, operated, and maintained in accordance with the instructions furnished. This Warranty does not apply to any product which has been subjected to alteration, misuse, abuse, improper assembly or installation, delivery damage, or to normal wear of the product.
6. **Exclusions:** Excluded from this Warranty are belts, blades, blade adapters, normal wear, normal adjustments, standard hardware and normal maintenance.
7. In the event you have a claim under this Warranty, please contact your nearest Bricomarché dealer.

Should you have any unanswered questions concerning this Warranty, please contact:

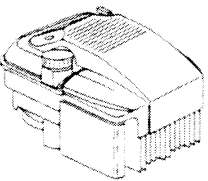
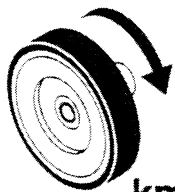
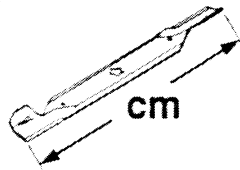
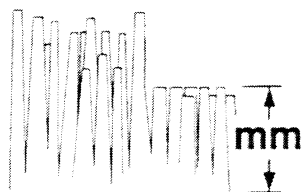
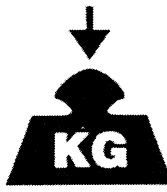
Service Consommateurs  
de Bricomarché  
16 avenue Sadi Carnot  
9160 Saulx les Chartreux

giving the model number, serial number and date of purchase of your product and the name and address of the authorized dealer from whom it was purchased.

**THIS WARRANTY DOES NOT APPLY TO INCIDENTAL OR CONSEQUENTIAL DAMAGES. ANY IMPLIED WARRANTIES ARE LIMITED TO THE SAME TIME PERIODS STATED HEREIN.**

This is a limited Warranty within the meaning of that term as defined in the Magnuson-Moss Act of 1975.

## SPECIFICATIONS

 <b>hp/kw</b>	 <b>km/h</b>	 <b>cm</b>	 <b>mm</b>	 <b>KG</b>	<b>dB (A)</b>
3,75/2,8	0-4,7	51	31-89	33	100