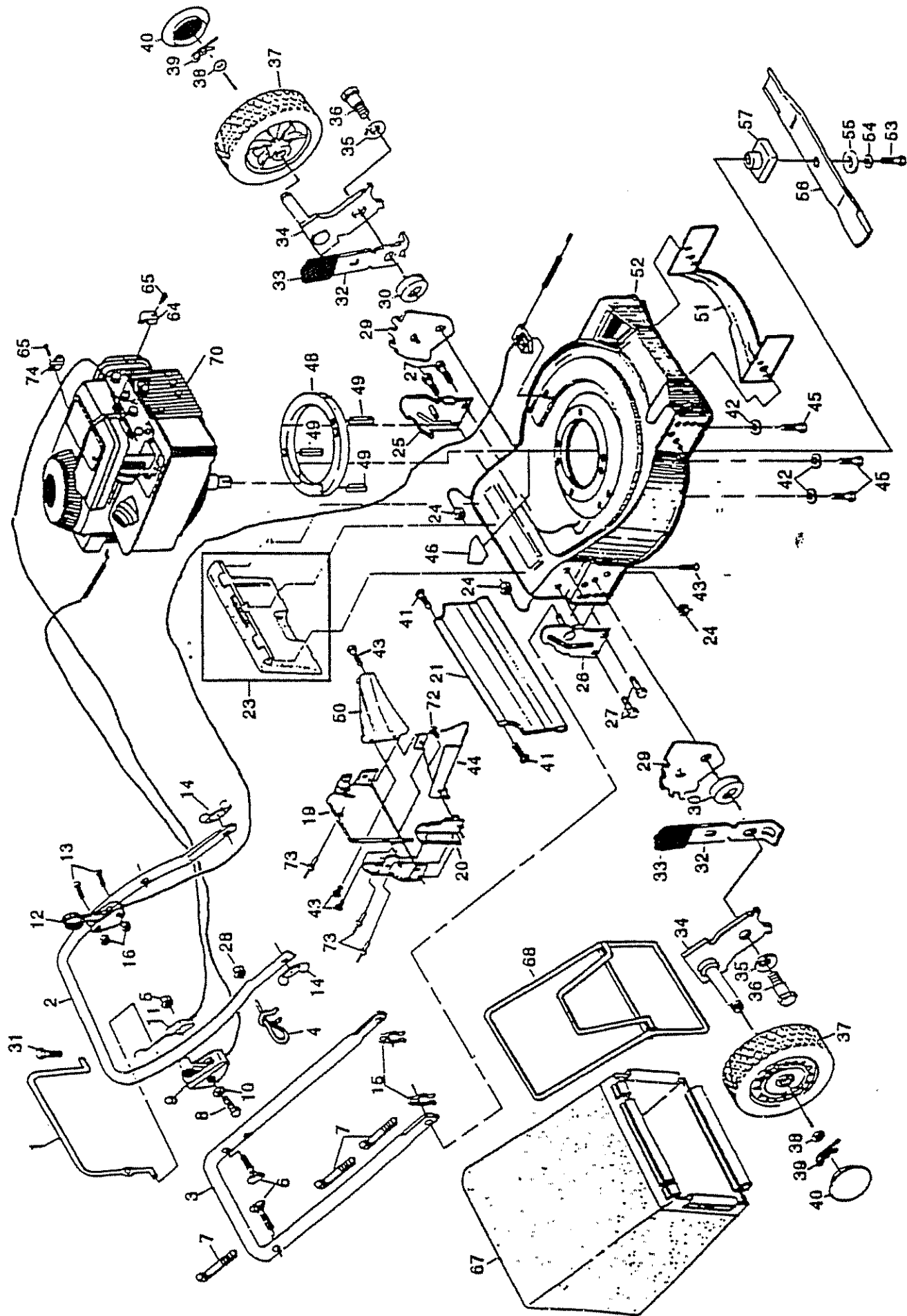


TONDEUSE THERMIQUE TRACTEE

REPAIR PARTS

20" REAR BAGGER ROTARY MOWER MODEL NO. BM2Q679A



REPAIR PARTS

20" REAR BAGGER ROTARY MOWER MODEL NO. BM2Q679A

KEY PART NO.	DESCRIPTION	KEY PART NO.	DESCRIPTION
1	Control Bar	37	Wheel & Tire Assembly
2	Upper Handle	38	Washer
3	Lower Handle	39	Retainer Clip
4	Rope Guide	40	Hubcap
5	Locknut 1/4-20	41	Hinge Screw
6	Handle Bolt	42	Flat Washer
7	Cable Tie	43	Hex Tapping Screw 1/4-20 x 1/2
8	Machine Screw 1/4-20 x 2-1/4	44	Discharge Baffle
9	Throttle Control	45	Hex Head Thread Rolling Screw 3/8-16 x 2
10	Washer	46	Danger Decal
11	Engine Zone Control Cable	48	Engine Spacer
12	Drive Control	49	Engine Bushing
13	Pan Head Machine Screw #10-24 x 2	50	Rear Baffle
14	Wing Nut	51	Front Baffle
15	Hairpin Collar	52	Housing Assembly (Incl. Ref. #46)
16	Locknut #10-24	53	Hex Head Bolt 3/8-24 x 1-3/8 Grd. 8
19	Back Plate	54	Helical Lock Washer
20	Side Baffle	55	Hardened Washer
21	Rear Skirt	56	20" Blade
23	Rear Door Assembly Kit	57	Blade Adapter
24	Locknut 3/8-16	64	Cable Clamp
25	Handle Bracket Assembly (Left)	65	Screw #10 x 5/8
26	Handle Bracket Assembly (Right)	67	Grass Bag
27	Screw 5/16-18 x 3/4	68	Catcher Frame
28	Locknut 5/16-18	70	Engine - Briggs & Stratton - Model No. 98982
29	Wheel Adjusting Bracket	72	Self Tapping Screw #10-24 x 1/2
30	Spacer	73	Pop Rivet
31	Self-Tapping Screw #10-24 x 5/8	74	Cable Clip
32	Selector Spring	--	Operator's Manual (English)
33	Selector Knob	--	Operator's Manual (French)
34	Axle Arm Assembly	--	Replacement Parts Manual (English/French)
35	Belleville Washer	--	Noise Level Decal
36	Shoulder Bolt 3/8-16	--	

* These parts must be purchased through an authorized Briggs and Stratton dealer.

REPAIR PARTS

20" REAR BAGGER ROTARY LAWN MOWER -- MODEL NO. BM2Q679A

KEY NO.	PART NO.	DESCRIPTION	KEY NO.	PART NO.	DESCRIPTION
1	141912	Hex Washer Head Screw #10-24 x 1/2	21	700339	Adjuster Assembly (Left)
2	701459	Drive Cover	22	700340	Adjuster Assembly (Right)
3	701477	Push Fastener	23	88118	Felt Washer
4	851980	Drive Pawl	24	88080	Dust Cover
5	88043	Drive Pulley	25	67725	Washer
6	12000030	Retaining Ring	26	88446	Wheel Bushing
7	64583	Screw 1/4-20 x 1/2	27	700953	Wheel & Tire Assembly
8	851947X004	Clutch Frame	28	52160	Washer
9	50962	Locknut 1/4-20	29	85179	Retainer Clip
10	702631X004	Clutch Lever	30	77400	Hubcap
11	88067	Clutch Lever Spacer	31	12000058	E-Ring
12	750253	Locknut 5/16-18	32	137054	Pinion
13	72070504	Carriage Bolt 5/16-18 x 1/2	33	63601	Locknut 1/4-20
14	74350424	Hex Head Screw 1/4-20 x 1-1/2	34	700537	Drive Shaft
15	88069	Spacer	35	88082	Driven Pulley
16	48160	Idler Assembly (Includes Key No. 17)	36	111924X	Drive Belt
17	88576	Idler Spacer	--	852000	"Clean Under" Decal (Drive Cover)
18	88517	Shoulder Bolt 5/16-18 x 1-3/8			
19	88516	Idler Pulley			
20	87877	Selector Knob			

Available accessories not included with mower:

- MA36 Chute Deflector
- MK20FRD Mulcher

REPAIR PARTS

20" REAR BAGGER ROTARY LAWN MOWER -- MODEL NO. BM2Q679A

