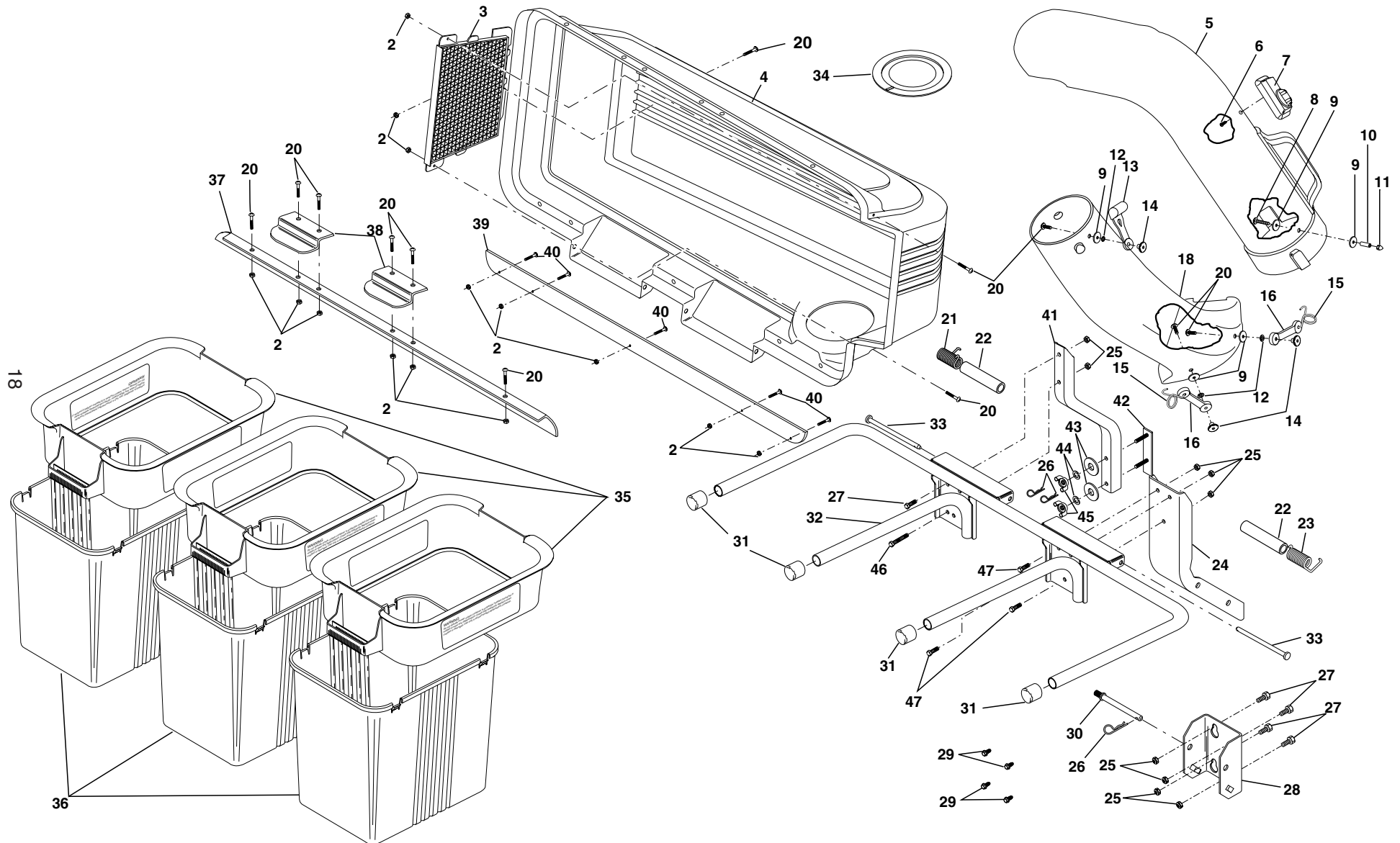


# REPAIR PARTS / PIÈCES DE RECHANGE

GRASS CATCHER - - MODEL NUMBER C342B / RAMASSE-HERBE - - NUMÉRO DE MODÈLE C342B

PRODUCT NUMBER 954 04 05-03 / NUMÉRO DE PRODUIT 954 04 05-03



# REPAIR PARTS / PIÈCES DE RECHANGE

GRASS CATCHER - - MODEL NUMBER C342B / RAMASSE-HERBE - - NUMÉRO DE MODÈLE C342B

PRODUCT NUMBER 954 04 05-03 / NUMÉRO DE PRODUIT 954 04 05-03

| KEY NO. | PART NO.  | DESCRIPTION                | KEY NO. | PART NO.  | DESCRIPTION                             |
|---------|-----------|----------------------------|---------|-----------|-----------------------------------------|
| 2       | 532069180 | Nut, Crownlock #10-24      | 29      | 532170165 | Shoulder Bolt, Self Tapping             |
| 3       | 532127533 | Screen, Cover              | 30      | 532131137 | Pin, Support Post                       |
| 4       | 532134678 | Cover                      | 31      | 532174083 | Plug, Tubing End                        |
| 5       | 532126840 | Chute, Upper               |         |           |                                         |
| 6       | 818021008 | Screw, Special #10-14x1/2  | 32      | 532134639 | Bagger, Frame                           |
| 7       | 532140572 | Dump Bag Indicator         | 33      | 532128600 | Pin, Hinge                              |
| 8       | 532087175 | Screw, #10-24 x 1-1/8      | 34      | 532127534 | Gasket, Cover                           |
| 9       | 819061216 | Washer 3/16x3/4x16 Ga.     | 35      | 532129585 | Container, Top                          |
| 10      | 532007206 | Spacer, Split              | 36      | 532129586 | Container, Bottom                       |
| 11      | 532060867 | Nut, Acorn #10-24          | 37      | 532134637 | Seal, Cover                             |
| 12      | 810071000 | Washer, lock               | 38      | 532130895 | Latch Handle, Cover                     |
| 13      | 532109808 | Latch, Chute               | 39      | 532155857 | Strip, Reinforcement                    |
| 14      | 532125004 | Nut, Weld                  | 40      | 871141008 | Screw #10-24 x 1/2                      |
| 15      | 532130760 | Latch, Hook                | 41      | 532156006 | Bagger, Support Tube                    |
| 16      | 532130759 | Rubber, Latch              |         |           |                                         |
| 18      | 532162803 | Chute, Lower               | 42      | 532145186 | Reinforcement Plate                     |
| 20      | 871161010 | Screw #10-24 x 5/8         | 43      | 819112410 | Washer 11/32x1.5x10 Ga.                 |
| 21      | 532132796 | Spring, Cover L.H. (black) | 44      | 810040500 | Washer, lock                            |
| 22      | 532133235 | Spacer, Cover              | 45      | 532128638 | Nut, Wing                               |
| 23      | 532132983 | Spring, Cover R.H. (gray)  | 46      | 874760536 | Bolt, Hex 5/16-18 x 2-1/4               |
| 24      | 532126813 | Post, Support              | 47      | 872110506 | Carriage Bolt 5/16-18 x 3/4             |
| 25      | 532063124 | Locknut 5/16 x 18          | —       | 532104419 | Bag, 3.0 mil. 30 Gallon                 |
| 26      | 532124670 | Spring, Retainer           |         |           | gallon Trash (not included with bagger) |
| 27      | 874760512 | Bolt, Hex 5/16-18 x 3/4    | —       | 532156235 | Owner's Manual                          |
| 28      | 532170053 | Bracket, Mounting          |         |           | Manuel de propriétaire                  |